

ARCCOM

Advanced String Combiners

Features

- Made in the USA with global components
- Buy American Act (BAA) compliant
- Compliant with NEC 2014 & 2017 690.11 & 690.12 arc-fault and array-level rapid shutdown requirements
- Compatible with SGI 500/750XTM
- String level arc-fault detection
- Remote shutdown
- Contactor disconnect
- Audible, LED, and dry contact indicators
- Multiple fuse sizes
- Switch locking mechanism
- Lowest power consumption in the industry
- AC or DC control power

Options

- Type 4X fiberglass enclosure
- Connection plates for compression terminals
- Surge arrestor



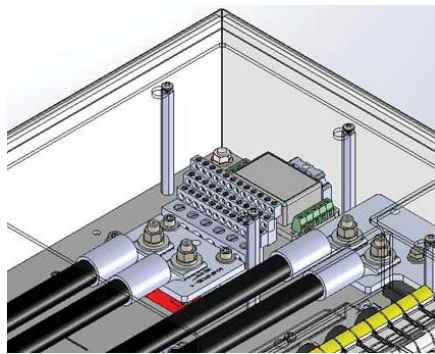
Yaskawa Solectria Solar's ARCCOM offers customers the best quality, ease of installation, mounting flexibility, safety and protection features. It is compliant with NEC 2014 & 2017 arc-fault and array-level rapid shutdown requirements and contains a contactor disconnect, lockable switch and true string level arc-fault protection, allowing it to detect and interrupt a series arc. It is also built and designed for wide temperature ranges and rugged conditions. All components are vetted for highest reliability through Highly Accelerated Life Testing (HALT). The ARCCOM also features standard oversized compression lugs that allow for long-run output conductors and multiple conduit entry locations so it can be mounted vertically or horizontally - thus eliminating the need for labor-intensive conduit bends. Additional options include surge arrestors and connector plates for those installers who prefer compression terminals for oversized output conductors. The ARCCOM is compatible with Yaskawa Solectria Solar's SGI 500/750XTM three-phase central inverters.

Specifications

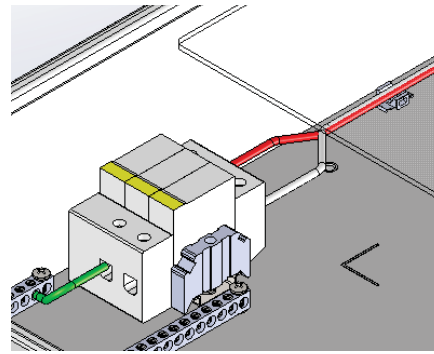
Number of Fused Inputs	8	12	16	20
Input Wire Range	12-8 AWG			
Output Wire Range* (mechanical terminal)	12-8 AWG			
Single Conductor Copper Conductors Aluminum Conductors	1AWG - 600kcmil 1/0AWG - 600kcmil	3/0AWG - 600kcmil 4/0AWG - 600kcmil	250kcmil - 600kcmil 350kcmil - 600kcmil	500kcmil - 600kcmil Not Allowed
Two Parallel Conductors Copper Conductors Aluminum Conductors	1/0AWG - 600kcmil 1/0AWG - 600kcmil	1/0AWG - 600kcmil 1/0AWG - 600kcmil	1/0AWG - 600kcmil 1/0AWG - 600kcmil	3/0AWG - 600kcmil 4/0AWG - 600kcmil
Maximum Voltage	1000 VDC			
Maximum Continuous Current	96 A	144 A	192 A	288 A
String Fuses	15 A			
Operating Temperature	-40°F to +122°F (-40° C to +50°C)			
Mounting Locations	Indoor, Outdoor, Wall, Array, Rooftop - Vertical, or Horizontal			
Inverter Compatibility	SGI 500/750XTM			
Power Supply/Signals				
Control Power**	120-277 VAC or 24 VDC / 0.32 A (max)			
Dry Contact Arc-Fault Detection	24 V / 5 A rated			
Enclosure				
Enclosure Finish & Rating	Polyester Powder-Coated Steel: Type 4 or Fiberglass: Type 4X			
Dimensions (H x W x D)	24 in. x 20 in. x 7 in. (610 mm x 508 mm x 178 mm)			
Weight				
Polyester Powder-Coated Steel	42 lbs (19 kg)		43 lbs (19.5 kg)	44 lbs (20 kg)
Fiberglass	35.3 lbs (16 kg)		36.3 lbs (16.5 kg)	37.3 lbs (17 kg)
Testing & Certifications				
Safety Listings & Certifications	UL 1741, CSA C22.2#107.1, UL 1699B			
Testing Agency	ETL			
Warranty				
Standard and Options	5 Years			

*Optional compression terminal plates for output terminals (1AWG-500kcmil, one or two per pole) also available

**External Control Power REQUIRED for all ARCCOM units. Each ARCCOM contains an AC/DC power supply. The customer needs to supply external control power 120-277VAC to the AC/DC power supply. If a customer would like to use external 24VDC Control Power instead, the internal control power from the AC/DC power supply to the main electronics board must be disconnected from the main electronics board. See the Installation and Operations Manual for full details.



Connection plate option for customer provided compression terminal (1 or 2, 500kcmil per pole)



Surge option

SOLECTRIA SOLAR

Yaskawa Solectria Solar
360 Merrimack Street
Lawrence, MA 01843
solectria.com

1-978-683-9700
inverters@solectria.com

DOCR-070385-N | April 2019
© 2019 Yaskawa Solectria Solar

YASKAWA