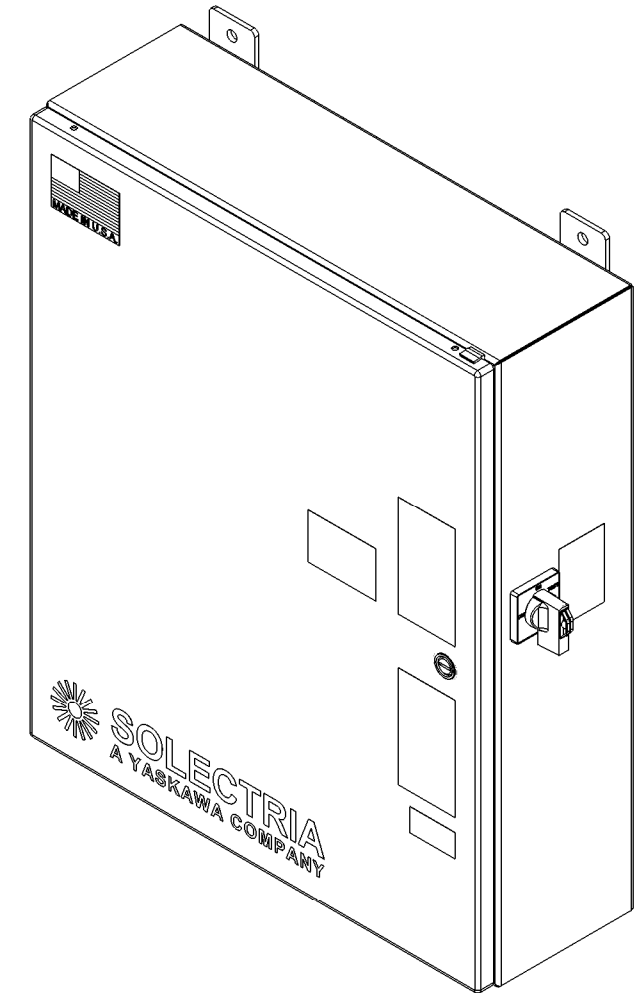
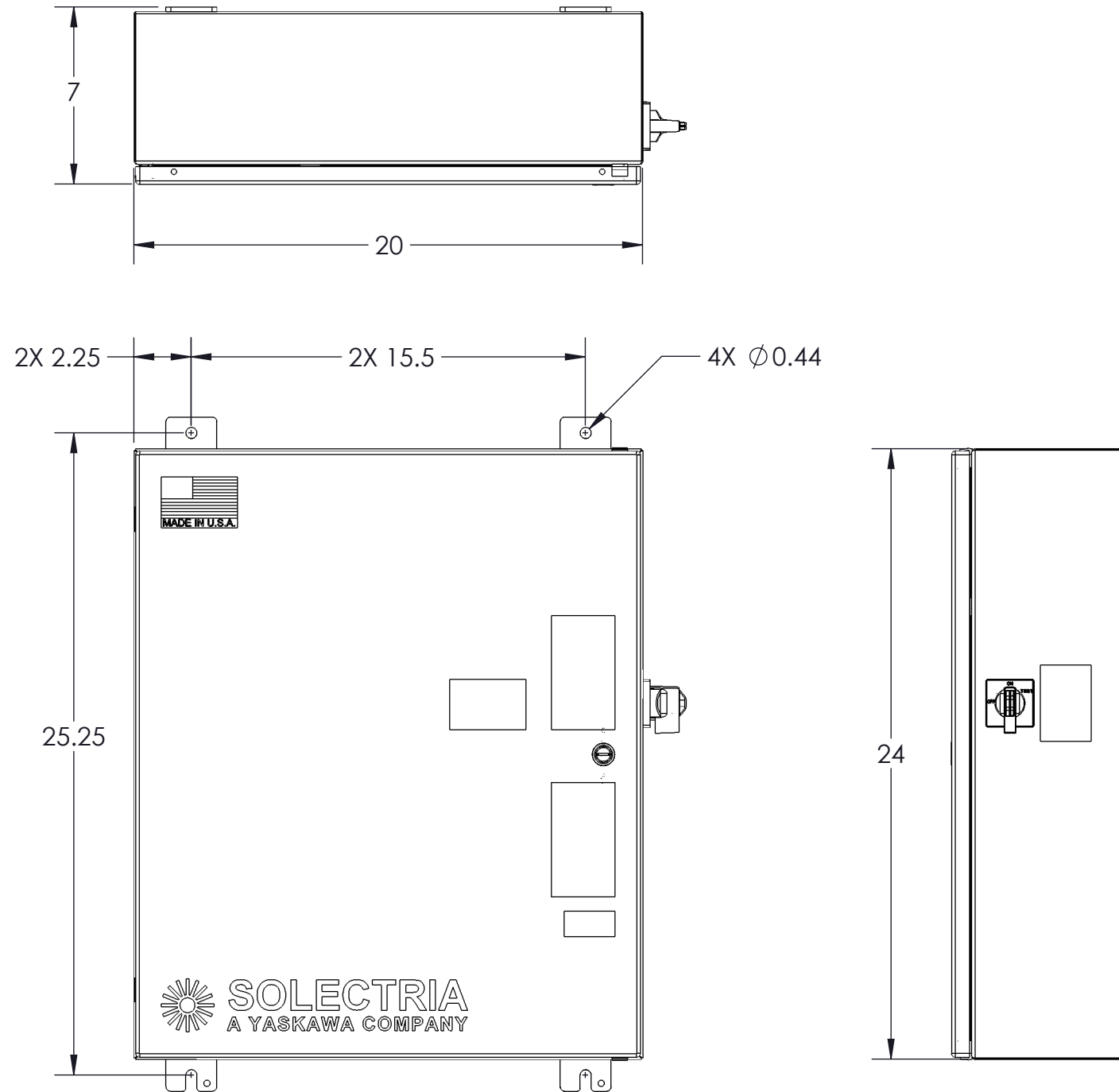



**NOTES:**

1. SEE SOLECTRIA RENEWABLES ARCCOM INSTALLATION AND OPERATION MANUAL FOR FURTHER INSTALLATION REQUIREMENTS.
2. REFER TO MODEL-SPECIFIC PAGES FOR PRODUCT WEIGHTS.
3. ONE ENCLOSURE SIZE FOR ARCCOM 08, ARCCOM 12, ARCCOM 16, AND ARCCOM 24.
4. DIMENSIONS FOR PAINTED STEEL ENCLOSURE ARE THE SAME AS THOSE FOR STAINLESS STEEL ENCLOSURE.

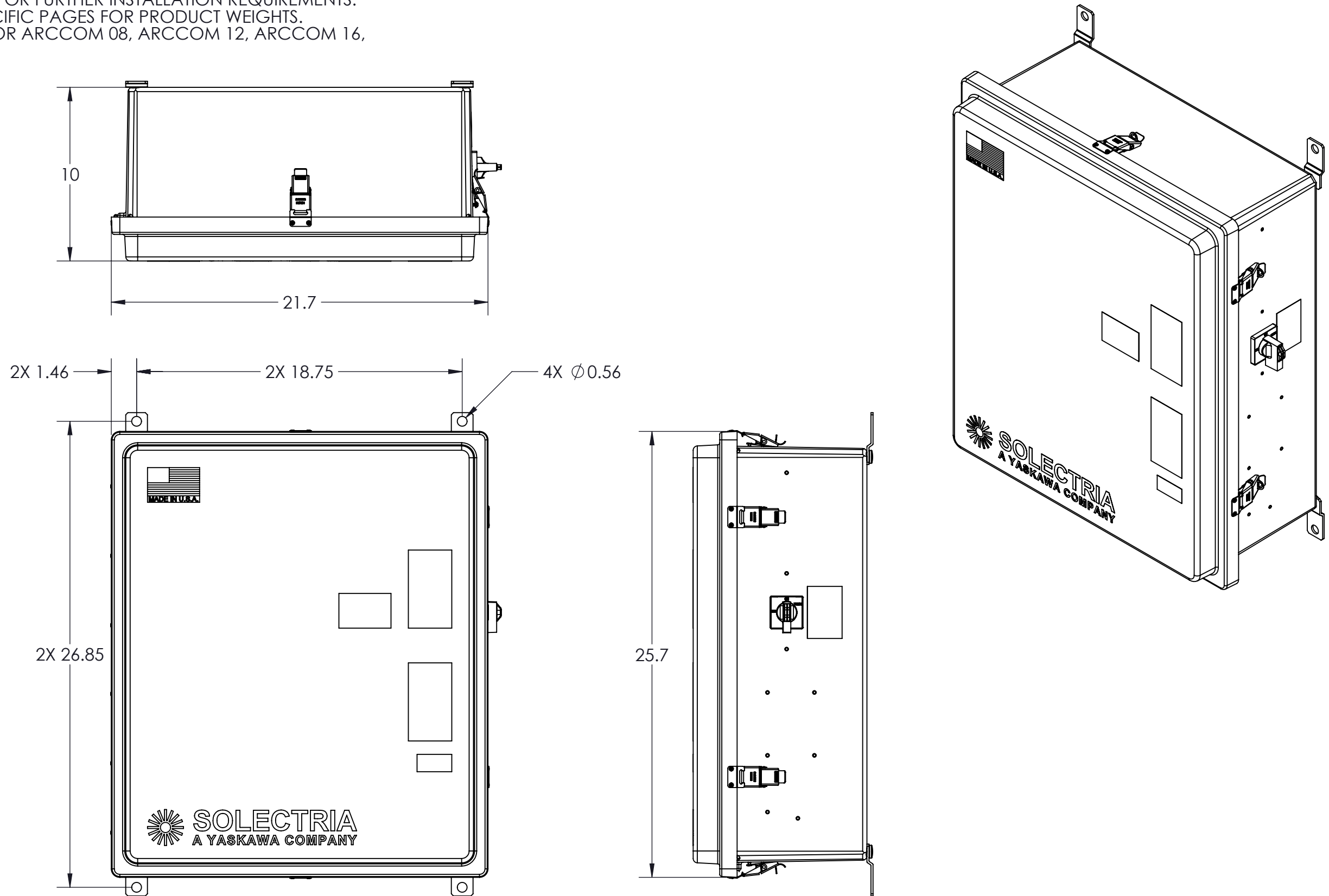
REVISIONS				
REV	EC#	DESCRIPTION	DRAWN	DATE
A	1304	• INITIAL RELEASE	A. MARINELLA	11/11/2014
B	1417	• ADDED NOTE 6 ON PAGES 3 AND 4 • INTERNAL AC-DC POWER SUPPLY IS NOW STANDARD AND NO LONGER LISTED AS AN OPTION	A. MARINELLA	5/11/2015




 www.solectria.com		
PRODUCT: <b>ARCCOM</b>		
VIEW: <b>ARCCOM PAINTED AND STAINLESS STEEL</b>		
DOCUMENT: <b>DOCR-070519</b>		REV: <b>B</b>
SIZE: <b>B</b>	ALL DIMENSIONS ARE IN INCHES	DO NOT SCALE
<b>CUSTOMER INTERFACE DRAWING</b>		
PLEASE NOTE: ALL INFORMATION CONTAINED WITHIN THIS DOCUMENT IS SUBJECT TO CHANGE WITHOUT NOTICE		
SCALE: 1:6	SHEET 1 OF 4	

**NOTES:**

1. SEE SOLECTRIA RENEWABLES ARCCOM INSTALLATION AND OPERATION MANUAL FOR FURTHER INSTALLATION REQUIREMENTS.
2. REFER TO MODEL-SPECIFIC PAGES FOR PRODUCT WEIGHTS.
3. ONE ENCLOSURE SIZE FOR ARCCOM 08, ARCCOM 12, ARCCOM 16, AND ARCCOM 24.
4. FIBERGLASS OPTION.

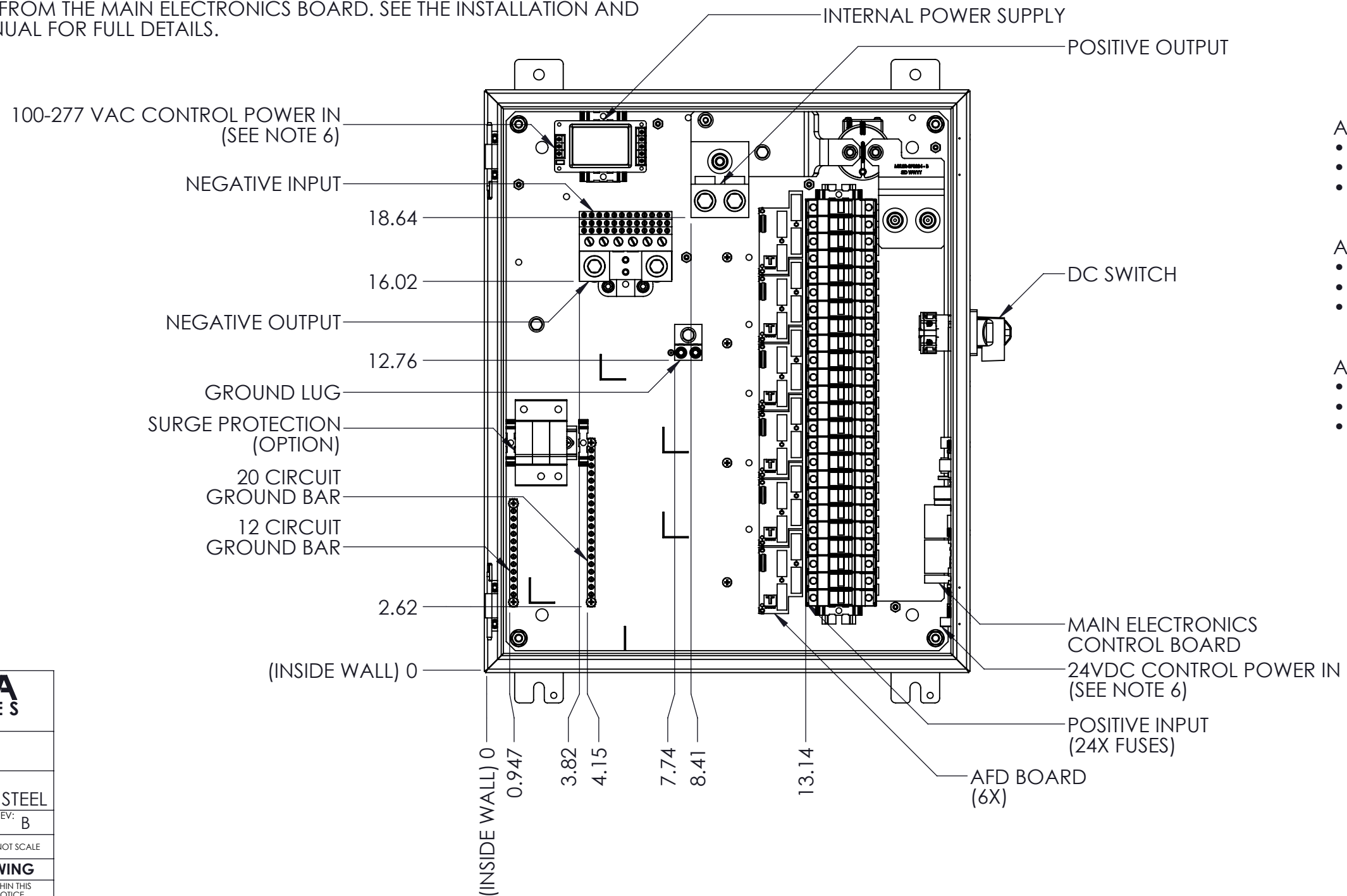


 www.solectria.com		
PRODUCT: <b>ARCCOM</b>		
VIEW: ARCCOM FIBERGLASS		
DOCUMENT: DOCR-070519		REV: B
SIZE: <b>B</b>	ALL DIMENSIONS ARE IN INCHES	DO NOT SCALE
<b>CUSTOMER INTERFACE DRAWING</b>		
<small>PLEASE NOTE: ALL INFORMATION CONTAINED WITHIN THIS DOCUMENT IS SUBJECT TO CHANGE WITHOUT NOTICE</small>		
SCALE: 1:6	SHEET 2 OF 4	

PRODUCT MASS		
INSTALLED MASS:	42-44	LBS
SHIPPING MASS:	42-44	LBS

**NOTES:**

1. SEE SOLECTRIA RENEWABLES ARCCOM INSTALLATION AND OPERATION MANUAL FOR FURTHER INSTALLATION REQUIREMENTS.
2. DIMENSIONED TO INSIDE OF ENCLOSURE WALL.
3. DIMENSIONS FOR PAINTED STEEL AND STAINLESS STEEL ARE THE SAME.
4. DOOR, SHIELDS, AND LABELS HIDDEN FOR CLARITY.
5. ARCCOM 24 SHOWN.
6. EXTERNAL CONTROL POWER IS REQUIRED FOR ALL ARCCOM UNITS. EACH ARCCOM CONTAINS AN AC-DC POWER SUPPLY. THE CUSTOMER NEEDS TO SUPPLY EXTERNAL CONTROL POWER 100-277VAC TO THE AC-DC POWER SUPPLY. IF A CUSTOMER WOULD LIKE TO USE EXTERNAL 24VDC CONTROL POWER INSTEAD, THE INTERNAL CONTROL POWER FROM THE AC-DC POWER SUPPLY TO THE MAIN ELECTRONICS BOARD MUST BE DISCONNECTED FROM THE MAIN ELECTRONICS BOARD. SEE THE INSTALLATION AND OPERATION MANUAL FOR FULL DETAILS.



- ARCCOM 08:**
- QTY 8 FUSE HOLDERS
  - QTY 2 AFD BOARDS
  - NO 12 CIRCUIT GROUND BAR

- ARCCOM 12:**
- QTY 12 FUSE HOLDERS
  - QTY 3 AFD BOARDS
  - NO 12 CIRCUIT GROUND BAR

- ARCCOM 16:**
- QTY 16 FUSE HOLDERS
  - QTY 4 AFD BOARDS
  - NO 12 CIRCUIT GROUND BAR

**SOLECTRIA RENEWABLES**  
WWW.SOLECTRIA.COM

PRODUCT: **ARCCOM**

VIEW: ARCCOM 24  
PAINTED AND STAINLESS STEEL

DOCUMENT: DOCR-070519 REV: B

SIZE: **B** ALL DIMENSIONS ARE IN INCHES DO NOT SCALE

**CUSTOMER INTERFACE DRAWING**

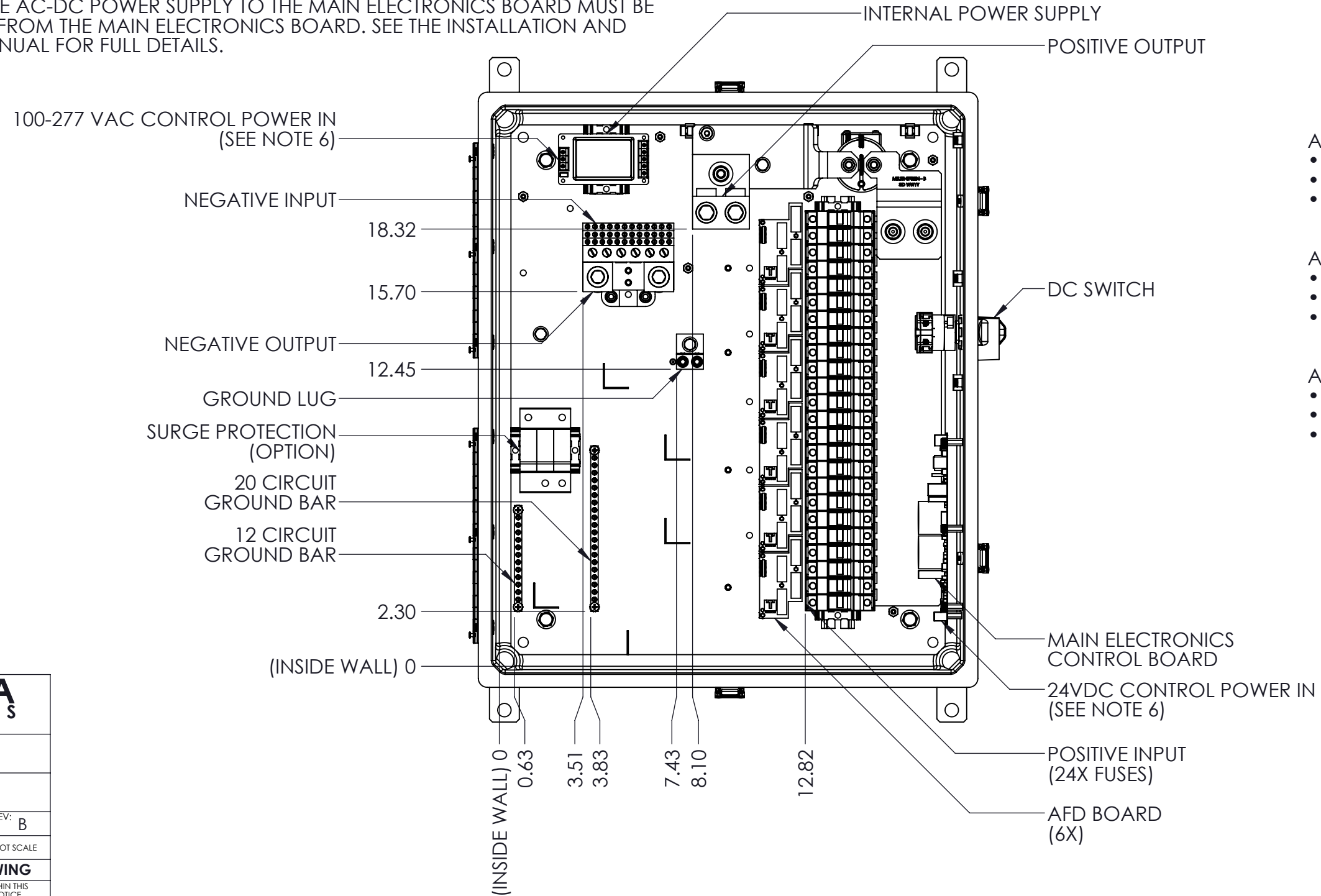
PLEASE NOTE: ALL INFORMATION CONTAINED WITHIN THIS DOCUMENT IS SUBJECT TO CHANGE WITHOUT NOTICE

SCALE: 1:5 SHEET 3 OF 4

PRODUCT MASS		
INSTALLED MASS:	35.3-37.3	LBS
SHIPPING MASS:	35.3-37.3	LBS

**NOTES:**

1. SEE SOLECTRIA RENEWABLES ARCCOM INSTALLATION AND OPERATION MANUAL FOR FURTHER INSTALLATION REQUIREMENTS.
2. DIMENSIONED TO INSIDE OF ENCLOSURE WALL.
3. DOOR, SHIELDS, AND LABELS HIDDEN FOR CLARITY.
4. FIBERGLASS OPTION.
5. ARCCOM 24 SHOWN.
6. EXTERNAL CONTROL POWER IS REQUIRED FOR ALL ARCCOM UNITS. EACH ARCCOM CONTAINS AN AC-DC POWER SUPPLY. THE CUSTOMER NEEDS TO SUPPLY EXTERNAL CONTROL POWER 100-277VAC TO THE AC-DC POWER SUPPLY. IF A CUSTOMER WOULD LIKE TO USE EXTERNAL 24VDC CONTROL POWER INSTEAD, THE INTERNAL CONTROL POWER FROM THE AC-DC POWER SUPPLY TO THE MAIN ELECTRONICS BOARD MUST BE DISCONNECTED FROM THE MAIN ELECTRONICS BOARD. SEE THE INSTALLATION AND OPERATIONS MANUAL FOR FULL DETAILS.



- ARCCOM 08:**
- QTY 8 FUSE HOLDERS
  - QTY 2 AFD BOARDS
  - NO 12 CIRCUIT GROUND BAR

- ARCCOM 12:**
- QTY 12 FUSE HOLDERS
  - QTY 3 AFD BOARDS
  - NO 12 CIRCUIT GROUND BAR

- ARCCOM 16:**
- QTY 16 FUSE HOLDERS
  - QTY 4 AFD BOARDS
  - NO 12 CIRCUIT GROUND BAR

**SOLECTRIA RENEWABLES**  
WWW.SOLECTRIA.COM

PRODUCT: **ARCCOM**

VIEW: ARCCOM 24 FIBERGLASS

DOCUMENT: DOCR-070519 REV: B

SIZE: **B** ALL DIMENSIONS ARE IN INCHES DO NOT SCALE

**CUSTOMER INTERFACE DRAWING**

PLEASE NOTE: ALL INFORMATION CONTAINED WITHIN THIS DOCUMENT IS SUBJECT TO CHANGE WITHOUT NOTICE

SCALE: 1:5 SHEET 4 OF 4