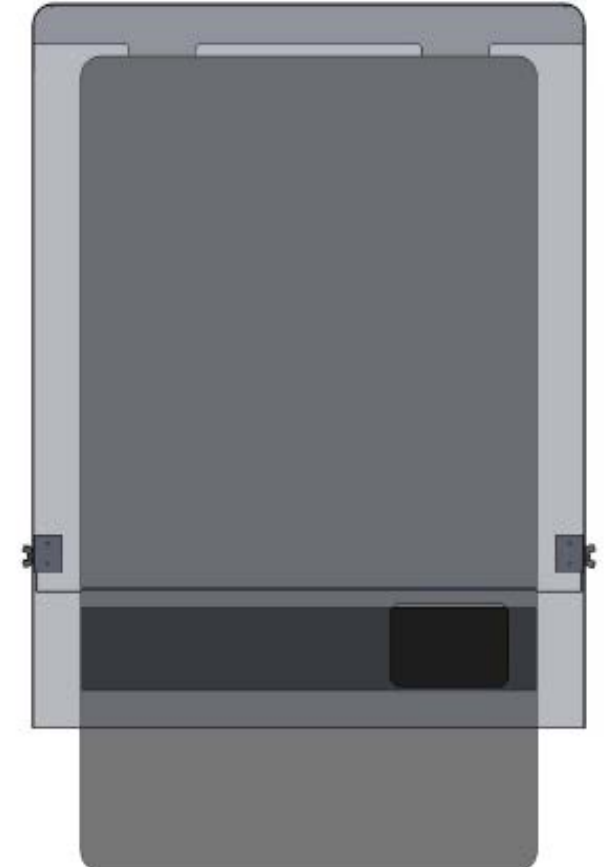


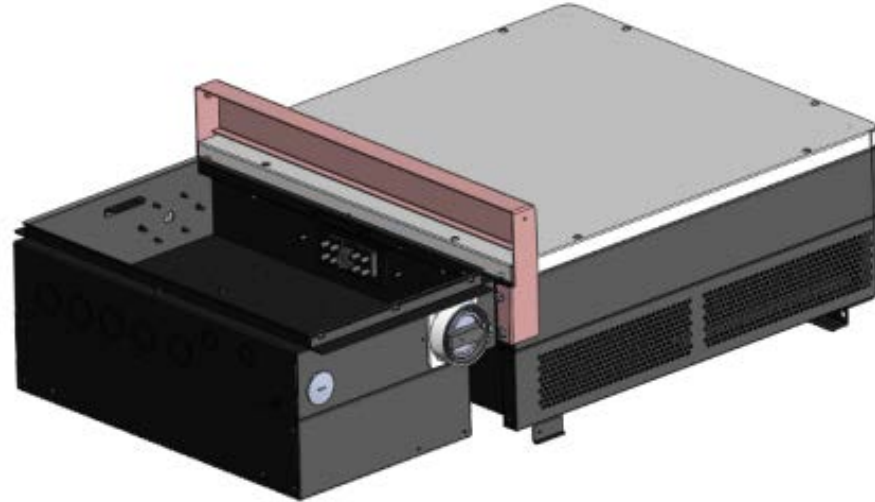
SHADE COVER OPTION

OLD SHADE COVER OPTION

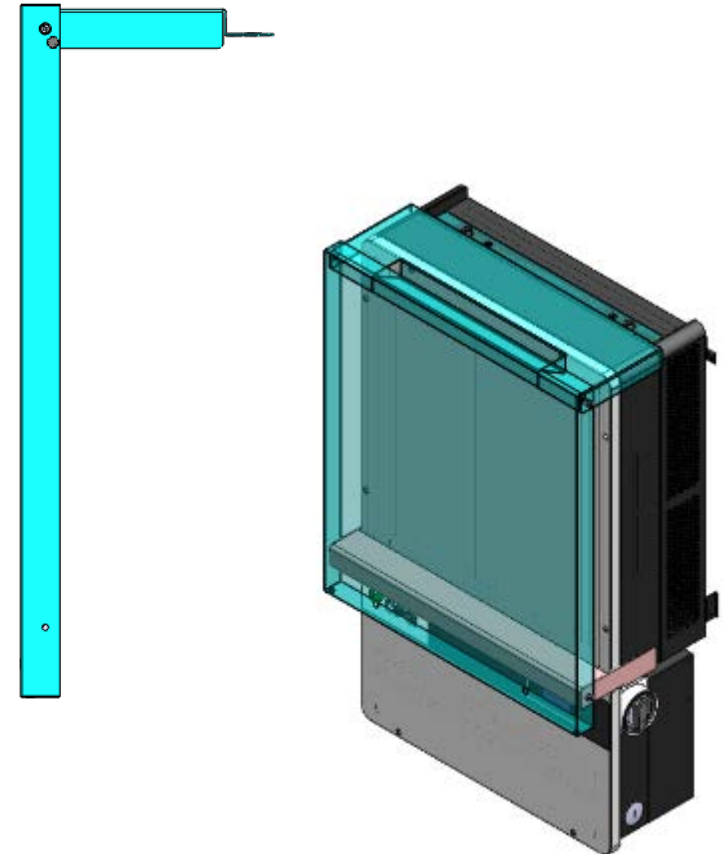


- Simple, quick (<10 minute install)
 - Only 1 person needed
 - Easy on/off cover
 - Lower mount - installed with nuts/bolts
 - Upper Mount - No tools required, hand mount tool
- Especially for 15 degree mounting in sun
- Simple cover helps protect inverter
- Powder coated steel
- Light weight (~15 pounds)
- Fold up/hinged lower section for easy LCD/Key Pad access

CURRENT SHADE COVER OPTION



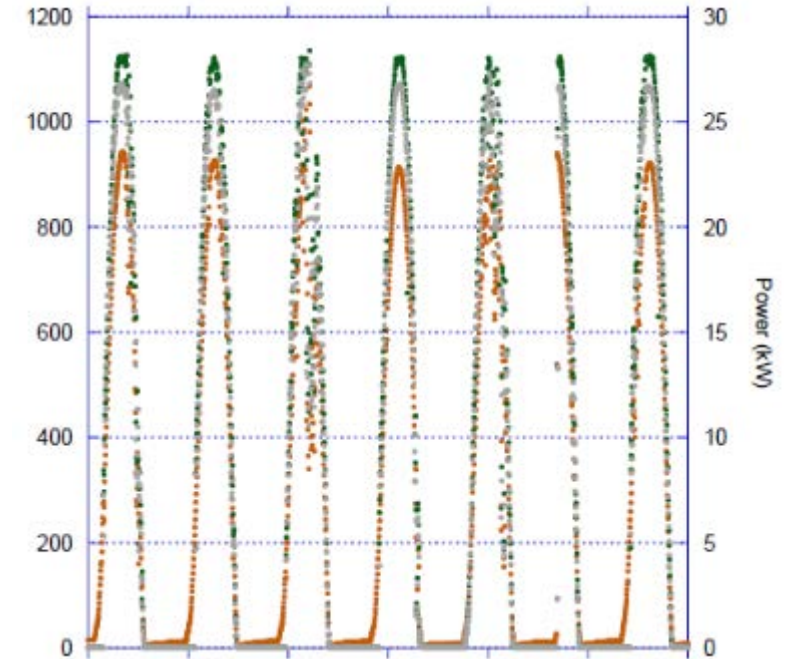
- Simple, quick (<10 minute install)
 - Only 1 person needed
 - Easy on/off cover
 - Lower mount - installed with nuts/bolts
 - Upper Mount - No tools required, hand mount tool
- Especially for 15 degree mounting in sun
- Simple cover helps protect inverter
- Powder coated steel
- Light weight (~15 pounds)
- Fold up/hinged lower section for easy LCD/Key Pad access



PVEVOLUTIONLABS TESTING RESULTS

Sunshield will:

- Protect the inverter against harsh weather and direct sunlight/very hot temperatures
- Reduce thermal gain on inverter chassis for lower operating temps
- Increase energy harvest by preventing derating



Measurement Location	Inverter 1					
	Top	East	West	Front	Back	Bottom
Without Shade Plate [$T_{Case}/T_{Ambient}$]	1.98	1.53	1.71	1.54	1.47	1.26
Shade Plate on Inverter 1 [$T_{Case}/T_{Ambient}$]	1.67	1.47	1.66	1.45	1.41	1.23
Percent Difference [Shade Plate - without Shade Plate] (%)	-15.65	-3.36	-3.01	-6.26	-4.20	-2.34

Results:
 Lower Temperature
 1% More Energy
 3% Higher Power