

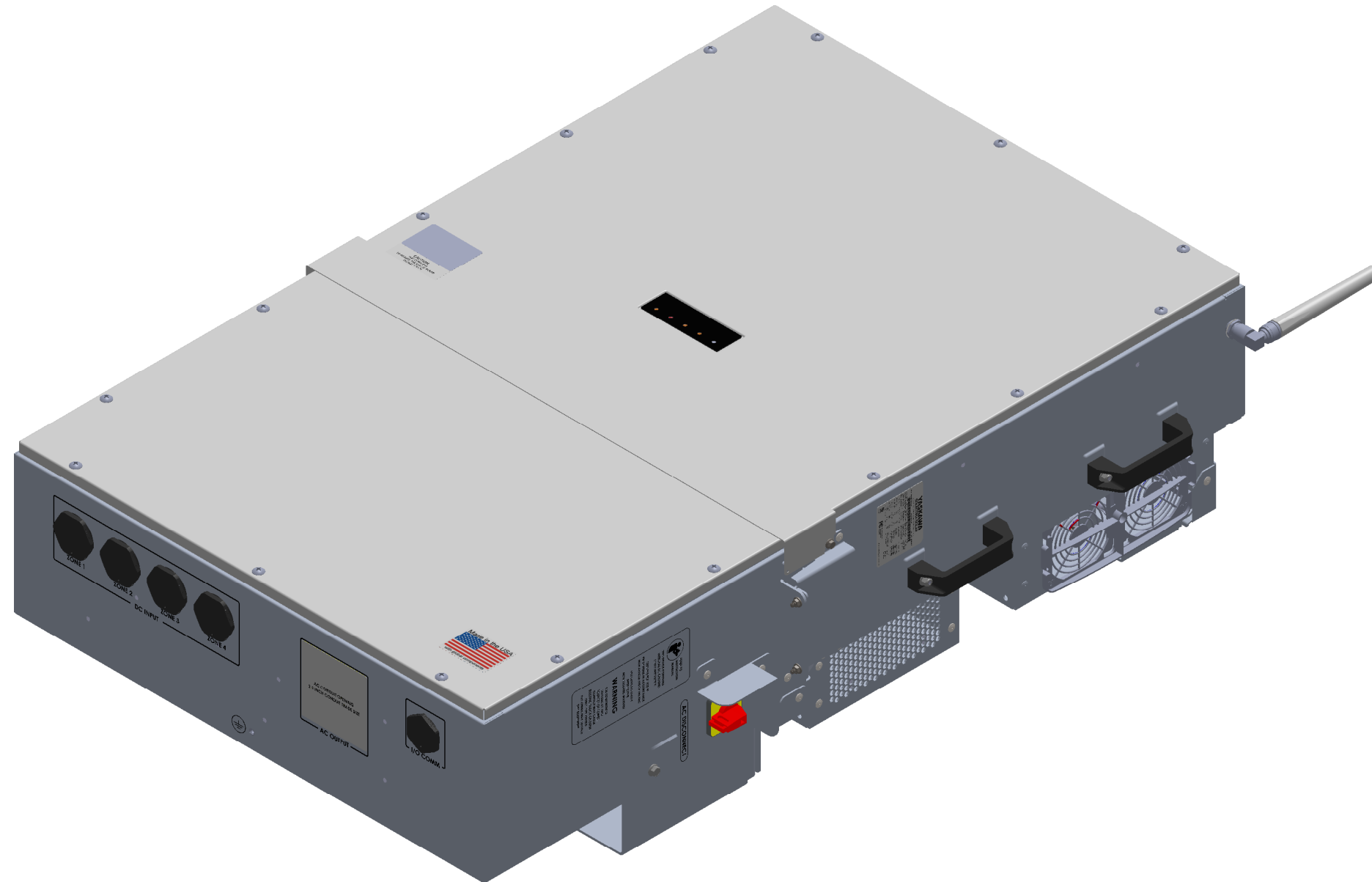
PRODUCT MASS				
INSTALLED MASS:	75	KG	165	LB
SHIPPING MASS:	115	KG	254	LB

SHIPPING MASS FOR ONE COMPLETE UNIT PACKAGED ON A PALLET

INDIVIDUAL COMPONENTS			
	DIMS (L x W x H)	KG	LB
INVERTER PACKAGING	34 x 35 x 14.5	64.4	142
WIRING BOX PACKAGING	34 x 35 x 13	41.7	92
PALLET	35 x 35 x 5	9.5	21

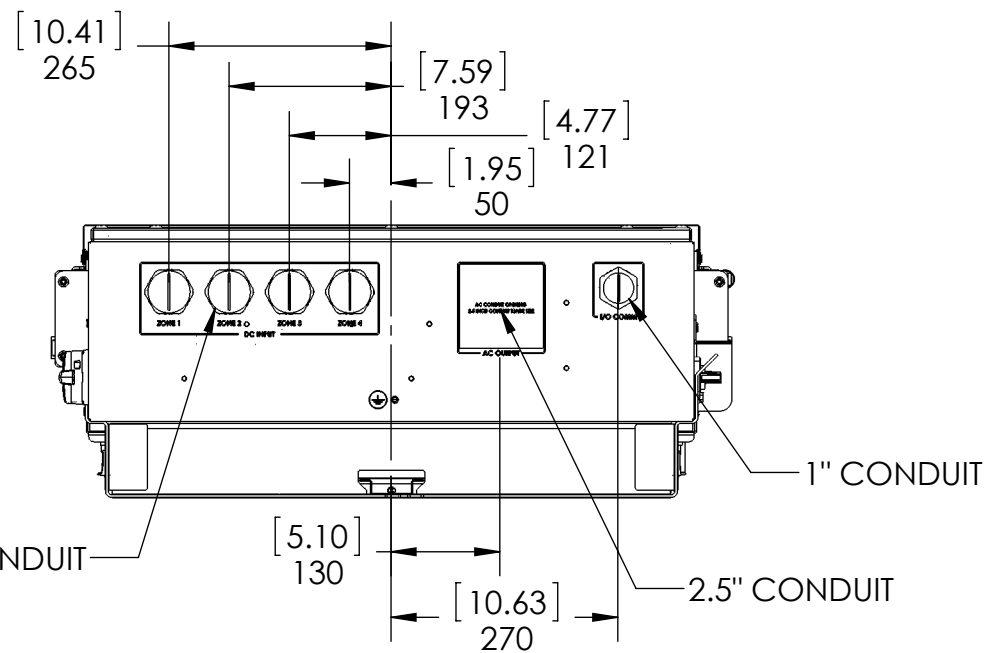
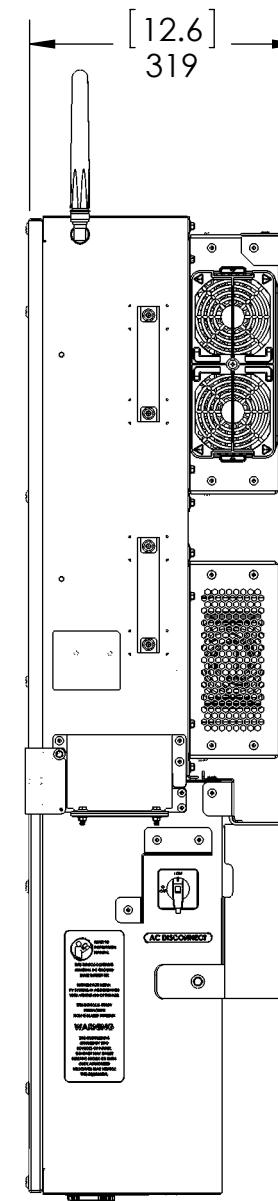
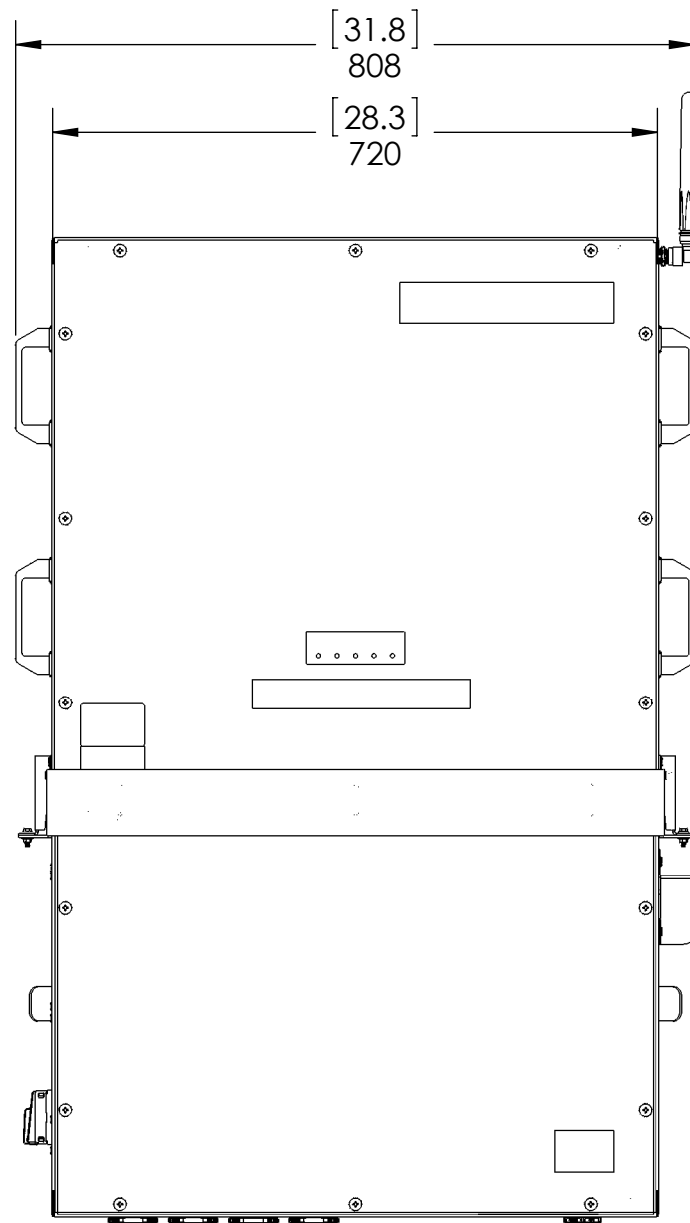
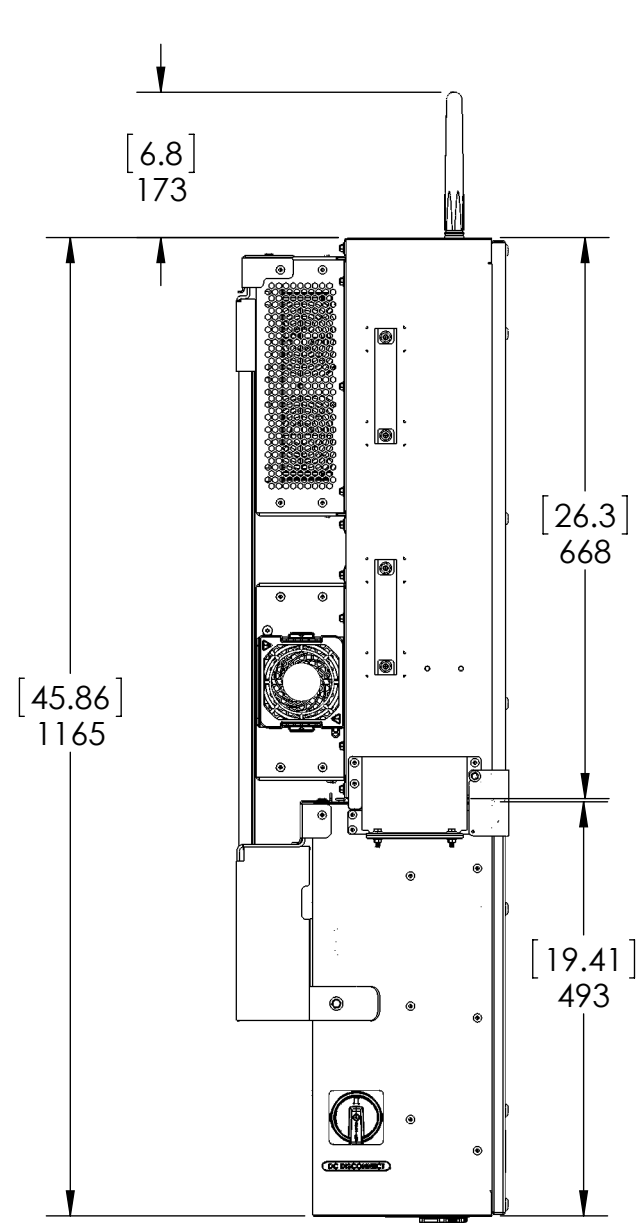
△
B

REVISIONS				
REV	EC#	DESCRIPTION	DRAWN	DATE
A	1724	• INITIAL RELEASE	J. SAVERY	3/19/2018
B	1768	• ADDED MISSING WEIGHTS, DIMENSIONS AND CONDUIT SIZES	C. ROYER	9/5/2019



YASKAWA		
SOLECTRIA SOLAR		
PRODUCT: XGI1000		
VIEW: FRONT ISOMETRIC		
DOCUMENT: DOCR-070640	REV: B	
SIZE: B	ALL DIMENSIONS ARE IN INCHES	DO NOT SCALE
CUSTOMER INTERFACE DRAWING		
PLEASE NOTE: ALL INFORMATION CONTAINED WITHIN THIS DOCUMENT IS SUBJECT TO CHANGE WITHOUT NOTICE		
SCALE: 1:6	SHEET 1 OF 4	

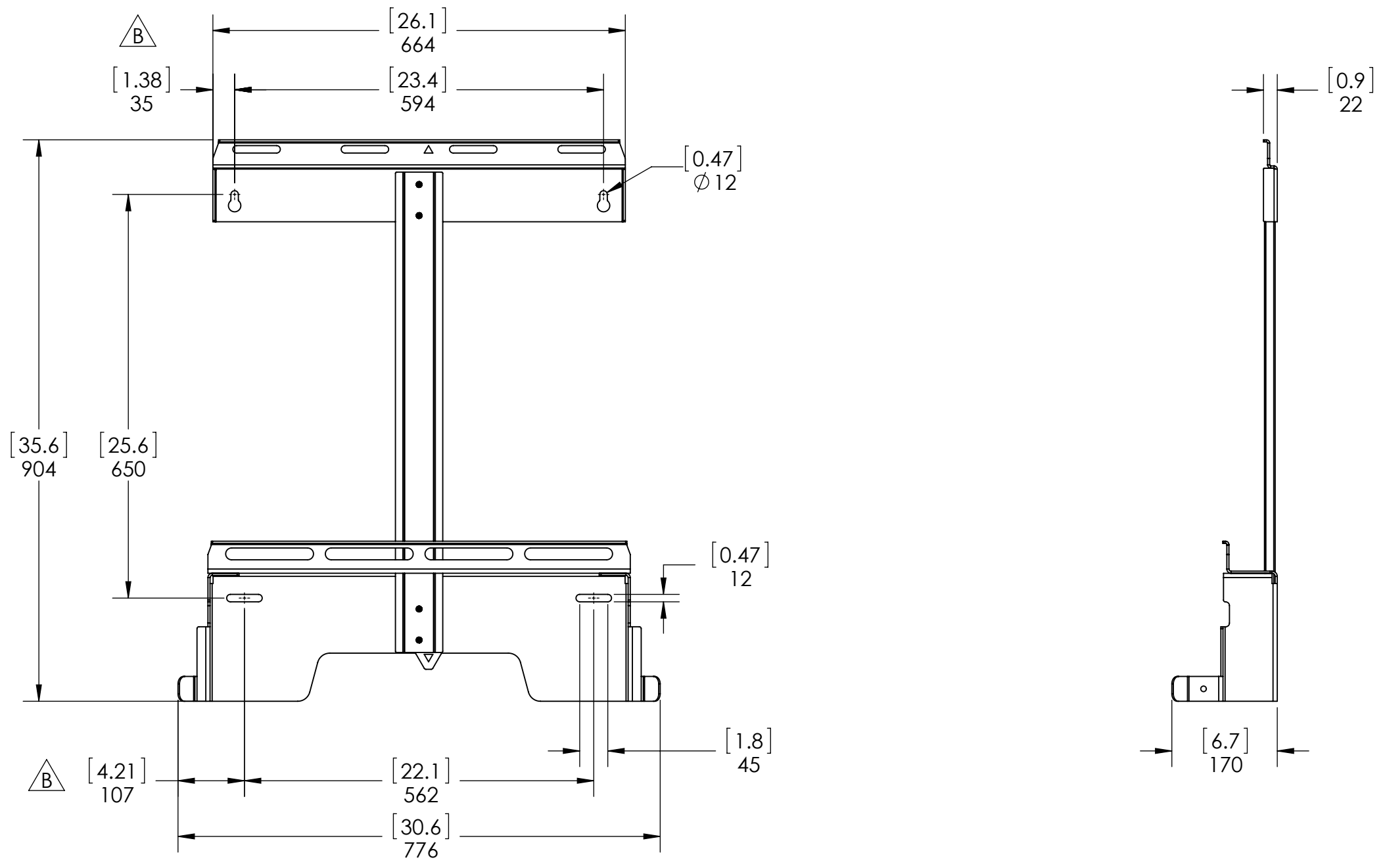
UNITS
[INCHES]
MM



B

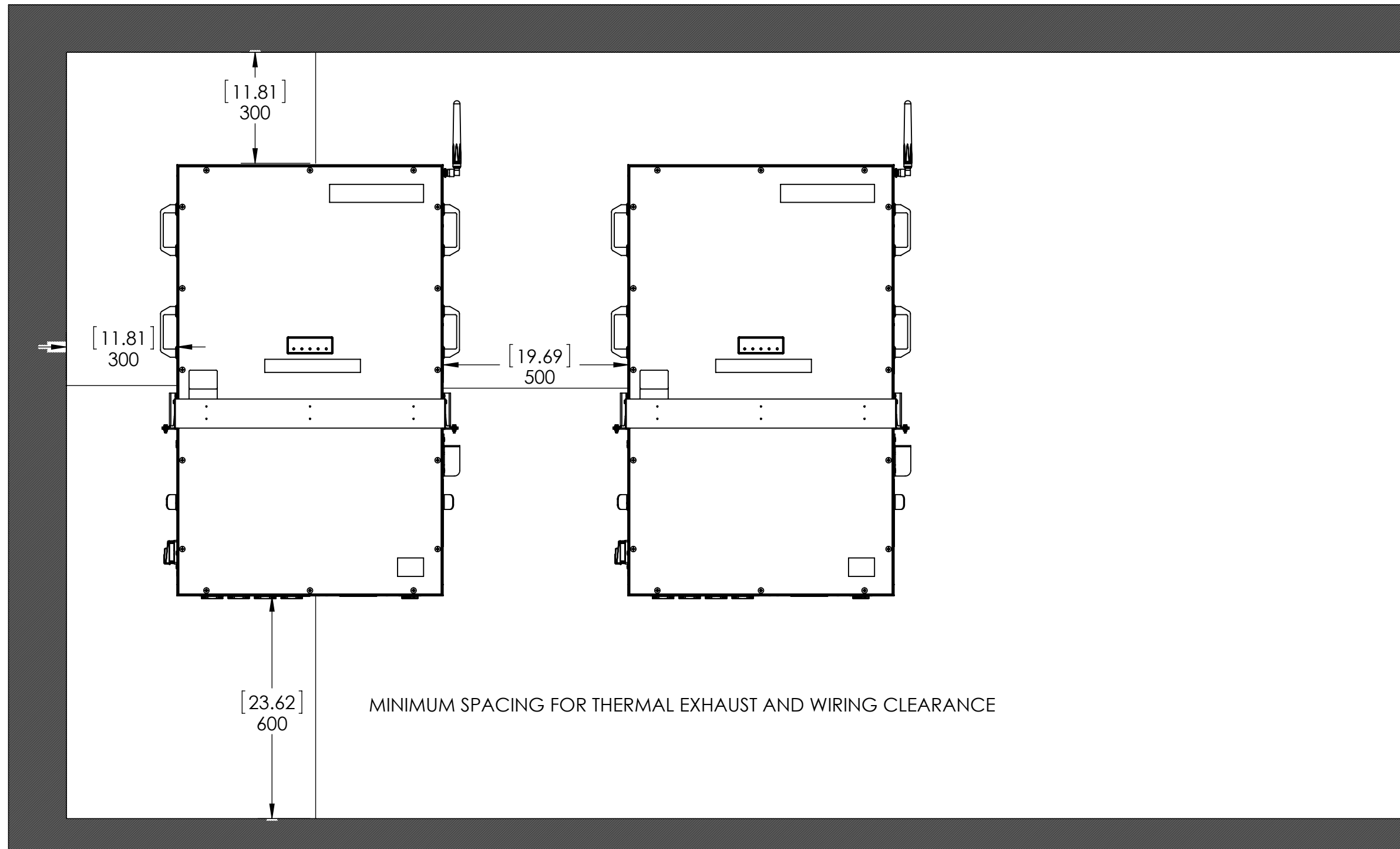
YASKAWA SOLECTRIA SOLAR		
PRODUCT: XGI1000		
VIEW: OVERVIEW		
DOCUMENT: DOCR-070640	REV: B	
SIZE: B	ALL DIMENSIONS ARE IN INCHES	DO NOT SCALE
CUSTOMER INTERFACE DRAWING		
PLEASE NOTE: ALL INFORMATION CONTAINED WITHIN THIS DOCUMENT IS SUBJECT TO CHANGE WITHOUT NOTICE		
SCALE: 1:9	SHEET 2 OF 4	

UNITS
[INCHES]
MM



YASKAWA		
SOLECTRIA SOLAR		
PRODUCT: XGI1000		
VIEW: MOUNTING BRACKET DIMENSIONS		
DOCUMENT: DOCR-070640	REV: B	
SIZE: B	ALL DIMENSIONS ARE IN INCHES	DO NOT SCALE
CUSTOMER INTERFACE DRAWING		
PLEASE NOTE: ALL INFORMATION CONTAINED WITHIN THIS DOCUMENT IS SUBJECT TO CHANGE WITHOUT NOTICE		
SCALE: 1:8	SHEET 3 OF 4	

UNITS
[INCHES]
MM



YASKAWA
SOLECTRIA SOLAR

PRODUCT: **XG1000**

VIEW: **INSTALLATION SPACE REQUIREMENTS**

DOCUMENT: **DOCR-070640** REV: **B**

SIZE: **B** ALL DIMENSIONS ARE IN INCHES DO NOT SCALE

CUSTOMER INTERFACE DRAWING

PLEASE NOTE: ALL INFORMATION CONTAINED WITHIN THIS DOCUMENT IS SUBJECT TO CHANGE WITHOUT NOTICE

SCALE: 1:12 SHEET 4 OF 4

UNITS
[INCHES]
MM