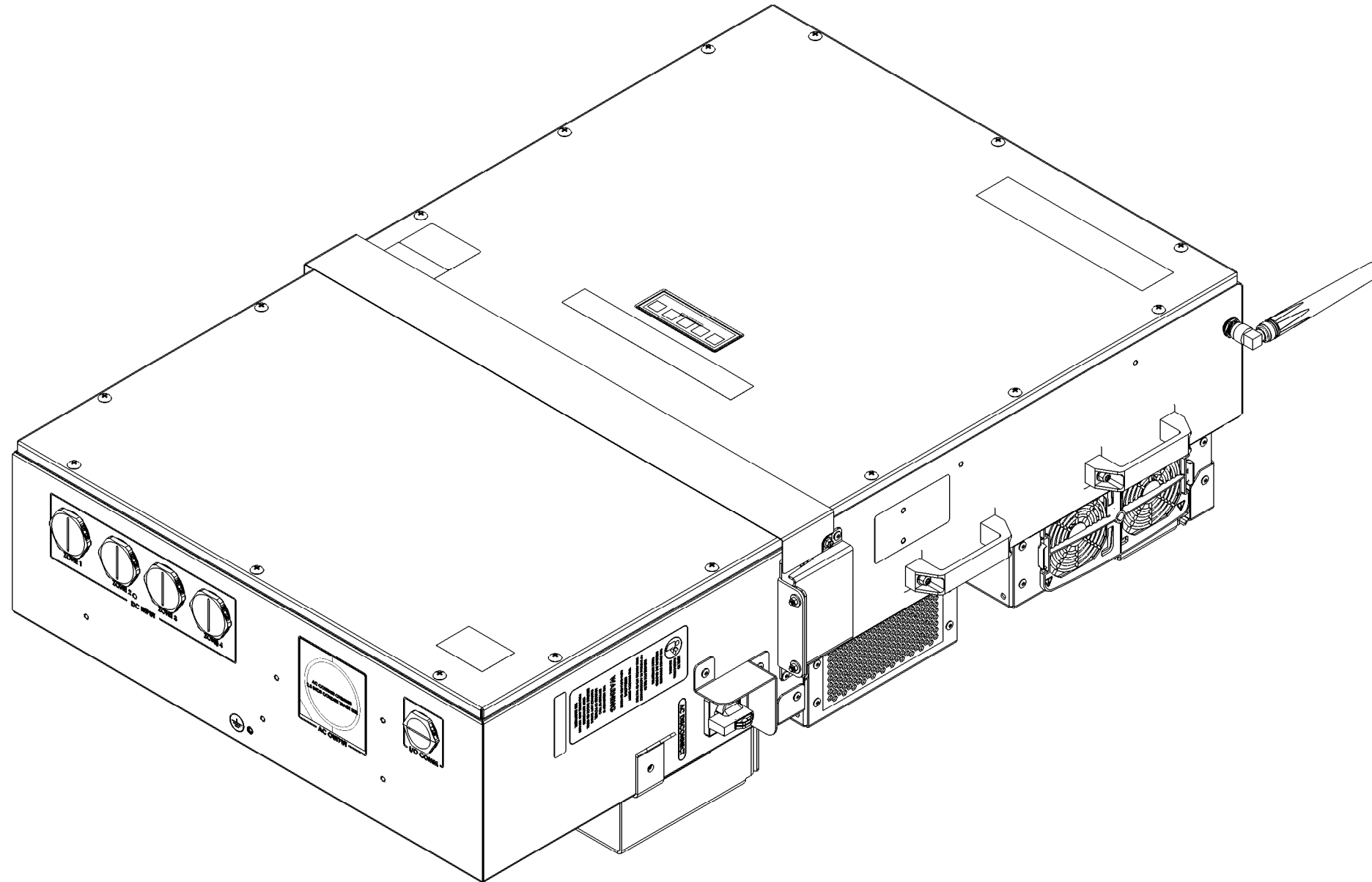


PRODUCT MASS				
INSTALLED MASS:	75	KG	165	LB
SHIPPING MASS:	115	KG	254	LB

SHIPPING MASS FOR ONE COMPLETE UNIT PACKAGED ON A PALLET

INDIVIDUAL COMPONENTS			
	DIMS (L x W x H)	KG	LB
INVERTER PACKAGING			
WIRING BOX PACKAGING			
PALLET			

REVISIONS			DRAWN	DATE
REV	EC#	DESCRIPTION	J. SAVERY	3/19/2018
A	1724	• INITIAL RELEASE		



**YASKAWA**  
**SOLECTRIA SOLAR**

PRODUCT: **XGI1000**

VIEW: **FRONT ISOMETRIC**

DOCUMENT: **DOCR-070640** REV: **A**

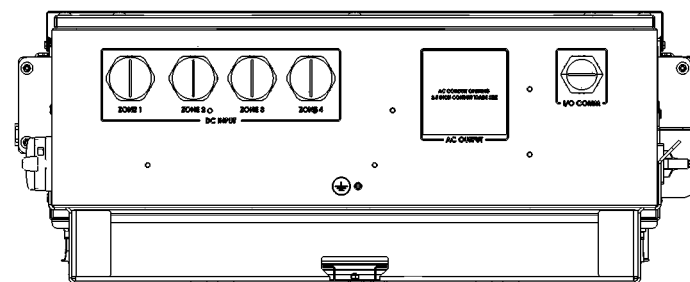
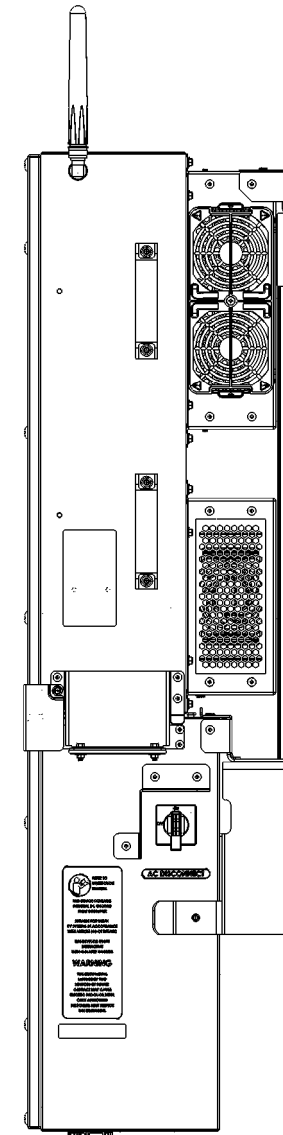
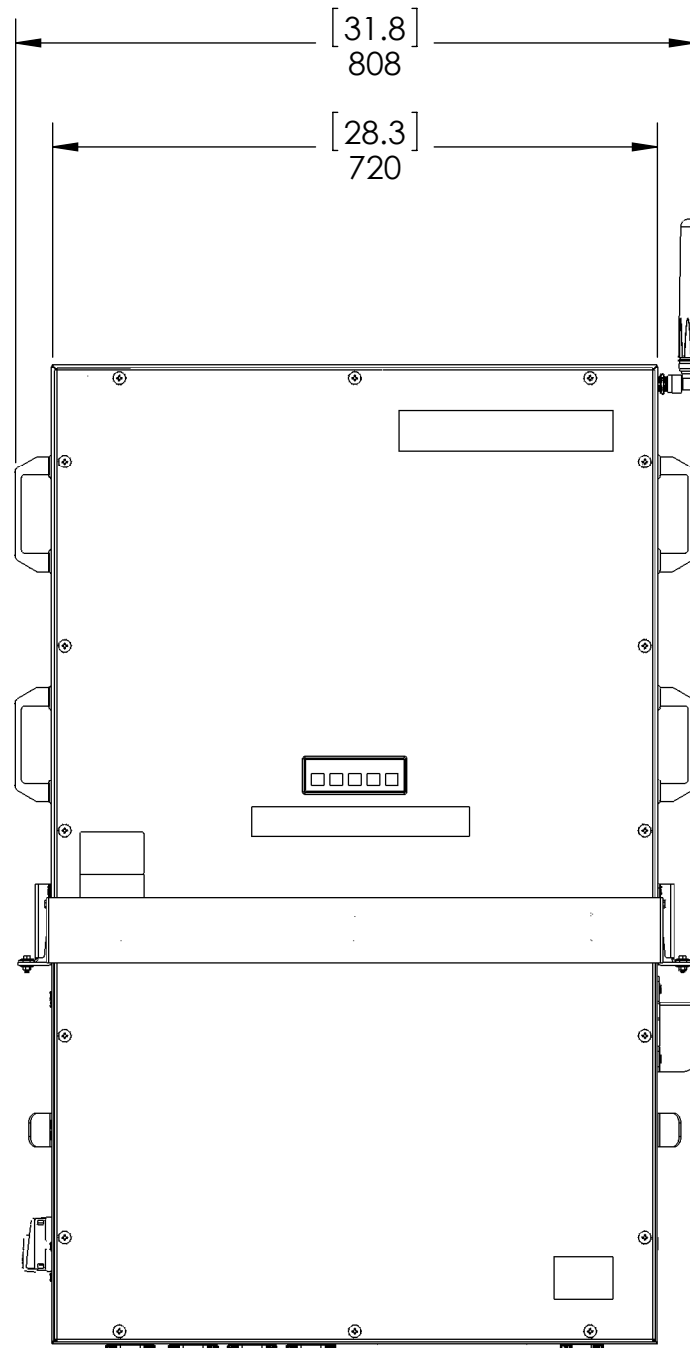
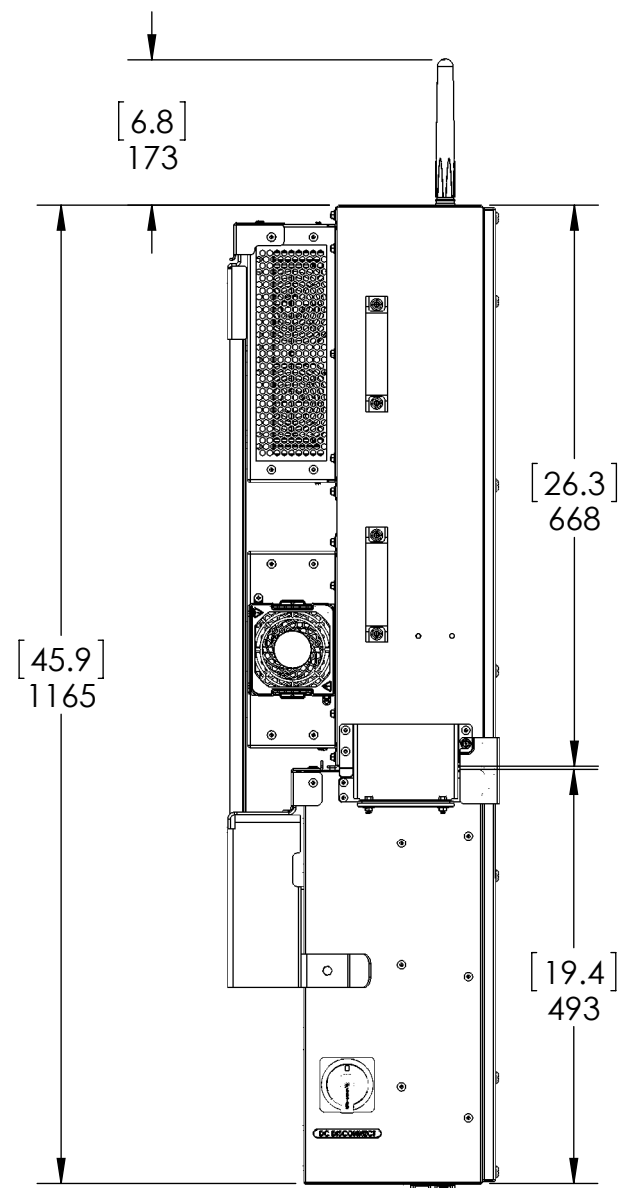
SIZE: **B** ALL DIMENSIONS ARE IN INCHES DO NOT SCALE

**CUSTOMER INTERFACE DRAWING**

PLEASE NOTE: ALL INFORMATION CONTAINED WITHIN THIS DOCUMENT IS SUBJECT TO CHANGE WITHOUT NOTICE

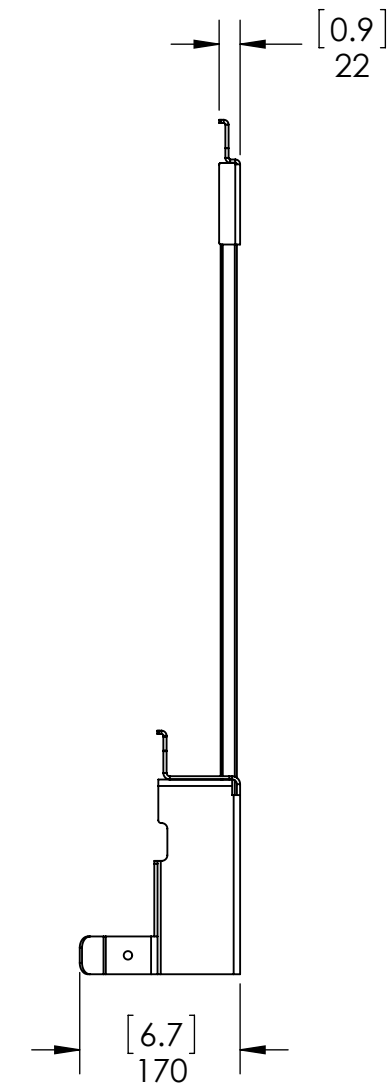
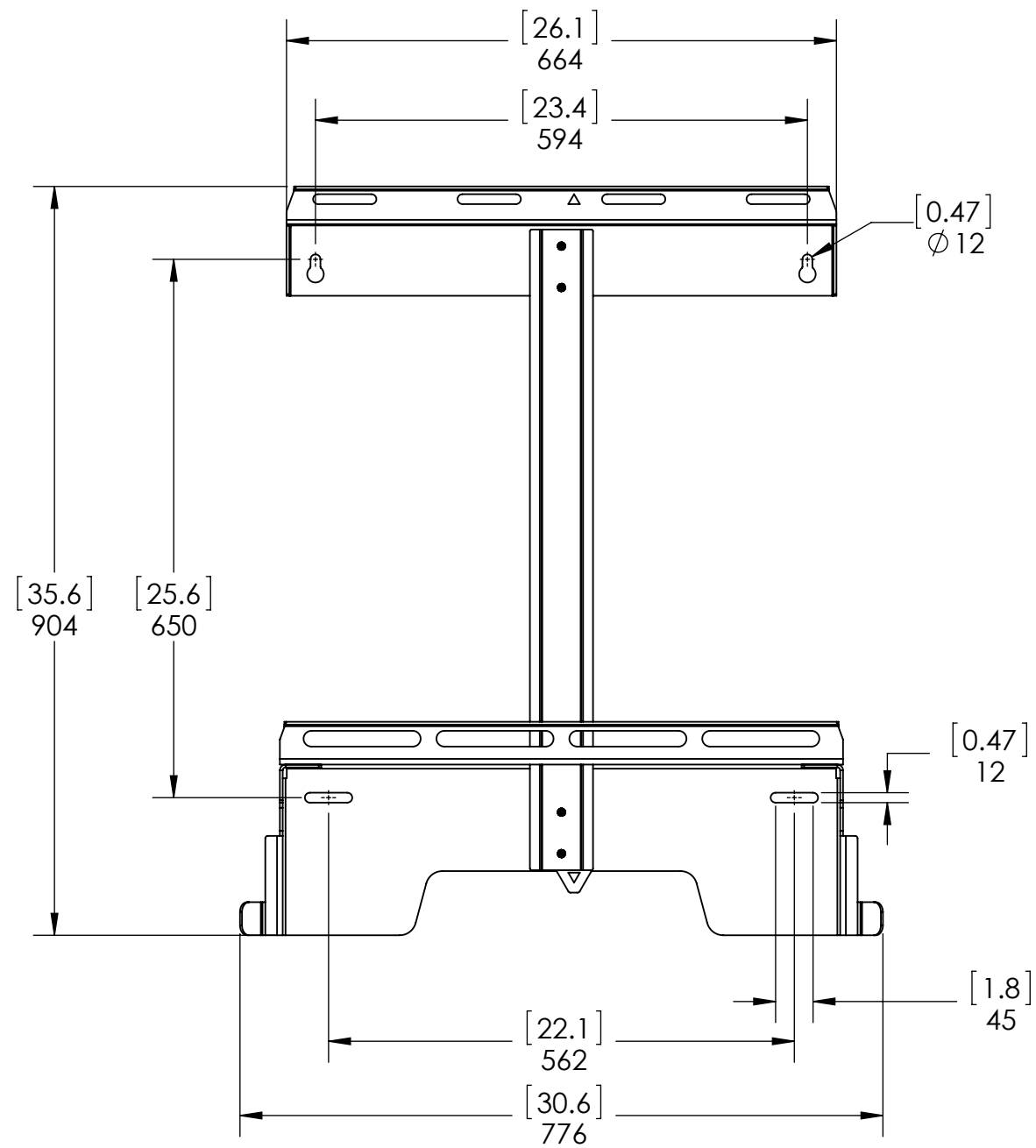
SCALE: 1:6 SHEET 1 OF 4

**UNITS**  
[INCHES]  
MM



<b>YASKAWA</b>		
<b>SOLECTRIA SOLAR</b>		
PRODUCT:	<b>XG11000</b>	
VIEW:	OVERVIEW	
DOCUMENT:	DOCR-070640	REV: A
SIZE: <b>B</b>	ALL DIMENSIONS ARE IN INCHES	DO NOT SCALE
<b>CUSTOMER INTERFACE DRAWING</b>		
PLEASE NOTE: ALL INFORMATION CONTAINED WITHIN THIS DOCUMENT IS SUBJECT TO CHANGE WITHOUT NOTICE		
SCALE: 1:9	SHEET 2 OF 4	

**UNITS**  
[INCHES]  
MM



**YASKAWA**  
SOLECTRIA SOLAR

PRODUCT: **XG11000**

VIEW: MOUNTING BRACKET  
DIMENSIONS

DOCUMENT: DOCR-070640 REV: A

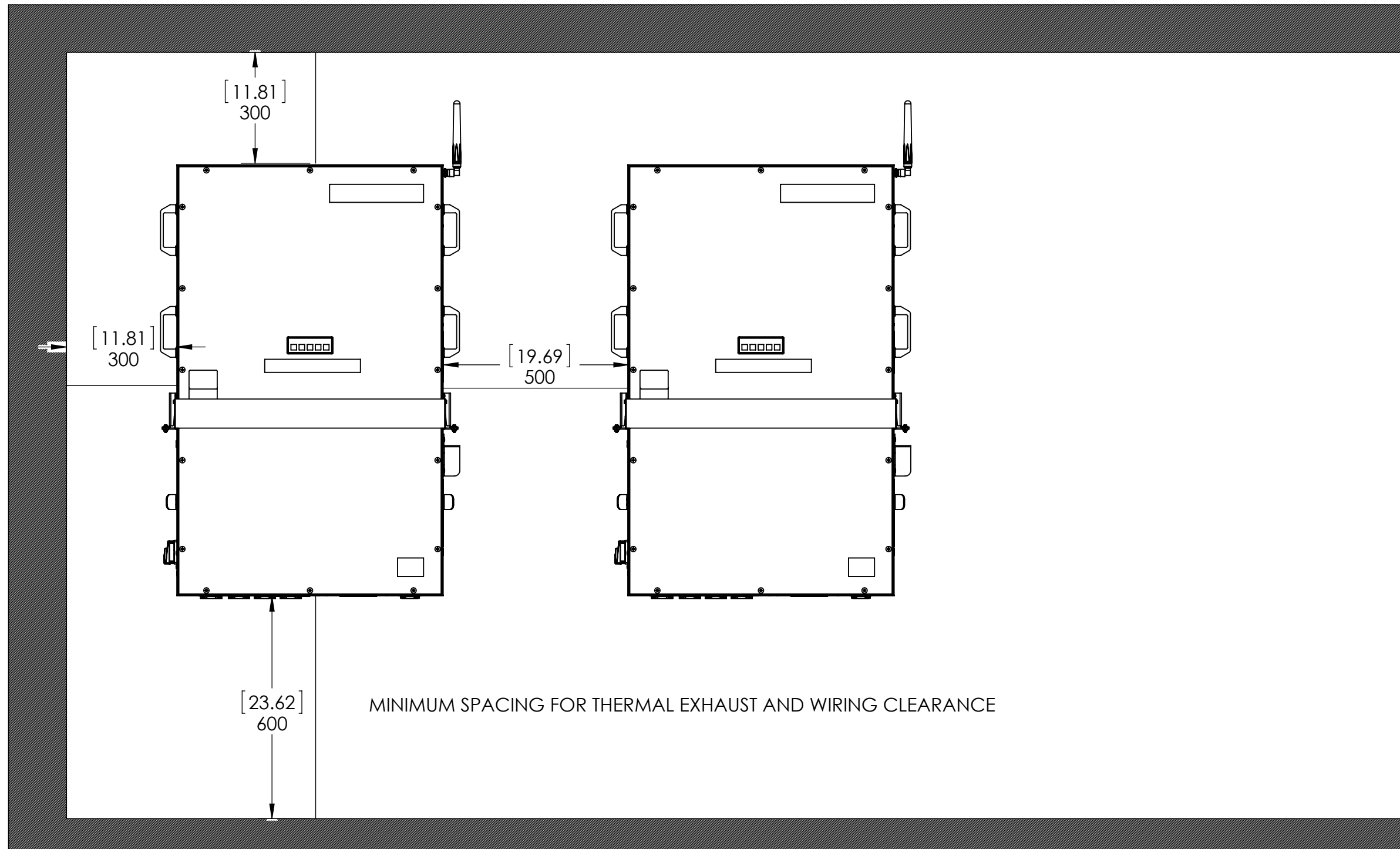
SIZE: **B** ALL DIMENSIONS ARE IN INCHES DO NOT SCALE

**CUSTOMER INTERFACE DRAWING**

PLEASE NOTE: ALL INFORMATION CONTAINED WITHIN THIS DOCUMENT IS SUBJECT TO CHANGE WITHOUT NOTICE

SCALE: 1:8 SHEET 3 OF 4

**UNITS**  
[INCHES]  
MM



**YASKAWA**  
**SOLECTRIA SOLAR**

PRODUCT: **XG1000**

VIEW: **INSTALLATION SPACE REQUIREMENTS**

DOCUMENT: **DOCR-070640** REV: **A**

SIZE: **B** ALL DIMENSIONS ARE IN INCHES DO NOT SCALE

**CUSTOMER INTERFACE DRAWING**

PLEASE NOTE: ALL INFORMATION CONTAINED WITHIN THIS DOCUMENT IS SUBJECT TO CHANGE WITHOUT NOTICE

SCALE: 1:12 SHEET 4 OF 4

**UNITS**  
[INCHES]  
MM