



PVI 36TL

INSTALLATION AND OPERATION MANUAL

Revision H

© 2017, Yaskawa – Solectria Solar



IMPORTANT REGISTRATION AND WARRANTY INFORMATION

For warranty to become active, this inverter must be registered. To activate warranty and register inverter, please visit the link below.

www.solectria.com/registration

Before You Start...



This manual contains important information regarding installation and safe operation of the PVI 36TL. Be sure to read this manual carefully before using the inverter.

Thank you for choosing a Solectria grid-tied PV Inverter. This PV Inverter is high performance and highly reliable product specifically designed for the North American Solar market.

If you encounter any problems during installation or operation of this unit, first check the user manual before contacting your local dealer or supplier. This user manual is applicable for the following model: PVI 36TL.

Instructions inside this user manual will help you solve most installation and operation difficulties. Contact your local supplier if the problem still exists.






Please keep this user manual on hand for quick reference.

IMPORTANT SAFETY INSTRUCTIONS




SAVE THESE INSTRUCTIONS

Please read this user manual carefully before product installation. Solectria reserves the right to refuse warranty claims for equipment damage if the user fails to install the equipment according to the instructions in this manual.

Warnings and Symbols in this Document

	DANGER: DANGER indicates a hazardous situation which, if not avoided, will result in death or serious injury.
	WARNING: WARNING indicates a hazardous situation which, if not avoided, could result in death or serious injury.
	CAUTION: CAUTION indicates a hazardous situation which, if not avoided, could result in minor or moderate injury.
	NOTICE: NOTICE indicates a hazardous situation which, if not avoided, could result in equipment working abnormally or property loss.
	INSTRUCTION: INSTRUCTION indicates important supplementary information or provides skills or tips that can be used to help you solve a problem or save you time.

Markings on the Product

	HIGH VOLTAGE: This inverter works with high voltages. All work on the product must only be performed as described in this document.
	HOT SURFACE: The equipment is designed to meet international safety standards, but surfaces can become hot during operation. Do not touch the heat sink or peripheral surfaces during or shortly after operation.
	EARTH GROUND: This symbol marks the location of grounding terminal, which must be securely connected to the earth through the PE (Protective Earth) cable to ensure operational safety.



WARNING:

All of the installation and wiring connections should be performed by qualified technical personnel. Disconnect the inverter from PV modules and the AC Grid before maintaining and operating the equipment.

Follow all local, national or country specific guidelines for electrical safety.



DANGER:

Please disconnect the inverter from the AC grid and PV modules before opening the equipment. Make sure hazardous high voltage and energy inside the equipment has been discharged.

Do not operate or maintain the inverter until at least 5 minutes has passed after disconnecting all sources from DC and AC sides.



CAUTION:

PVI 36TL inverter is approx. **66kg (145 pounds) including the wiring box.**

Please ensure the mounting bracket is properly installed before hanging the inverter on the bracket.



INSTRUCTION:

Please check with your local electricity supply company before selecting a grid standard. If the inverter is operated with a wrong grid standard, the electricity supply company may cancel the interconnection agreement.

Putting the inverter into operation before the overall system complies with the national rules and safety regulation of the application is not permitted.



DANGER!

Danger to life due to fire or explosion:

Despite careful construction, electrical devices can cause fires.

-Do not mount the inverter on flammable construction materials.

-Do not mount the inverter in areas where highly flammable materials are stored.

-Do not mount the inverters in areas with a risk of explosion

SAVE THESE INSTRUCTIONS

- BEFORE YOU START... .. 3**
- IMPORTANT SAFETY INSTRUCTIONS 4**
- 1.0: OVERVIEW 9**
 - 1.1 INVERTER FOR GRID-TIED PV SYSTEMS 9
 - 1.2 PRODUCT FEATURES 9
 - 1.3 PRODUCT PROTECTION FUNCTIONS 10
 - 1.4 CIRCUIT STRUCTURE DESIGN 10
 - 1.5 APPEARANCE DESCRIPTION 11
 - 1.6 ANTI ISLANDING 12
 - 1.7 DC GROUND FAULT PROTECTION 12
 - 1.8 SURGE SUPPRESSION 12
 - 1.9 DC ARC FAULT DETECTION 12
- 2.0: INSTALLATION 12**
 - 2.1 RECOMMENDATIONS BEFORE INSTALLATION 14
 - 2.2 MECHANICAL INSTALLATION 15
 - 2.3 ELECTRICAL INSTALLATION 26
 - 2.3.1 DC Connection 28
 - 2.3.2 AC and Ground Connection 37
 - 2.4 INVERTER COMMUNICATION CONNECTIONS 41
 - 2.4.1 Third Party Monitoring Systems Modbus Connections 43
 - 2.4.2 SolrenView Data Logger Modbus Connections 48
 - 2.4.3 Preparing the Inverter for Modbus Communications 58
 - 2.4.4 Preparing the SolrenView Logger 59
 - 2.4.5 Connecting Revenue Grade Meter to the SolrenView Logger 61
 - 2.4.6 Dry Contact Communication 65
- 3.0: COMMISSIONING 69**
 - 3.1 COMMISSIONING CHECKLIST 69
 - 3.1.1 Mechanical Installation 69
 - 3.1.2 Cable Connections 69
 - 3.1.3 Electrical Check 69
 - 3.2 COMMISSIONING STEPS 69
- 4.0: USER INTERFACE 72**

4.1 DESCRIPTION OF LCD.....	72
4.2 OPERATION STATE	73
4.3 INTERFACE TYPES.....	73
4.4 MENU FUNCTIONS.....	75
4.4.1 <i>Operation information</i>	75
4.4.2 <i>Alarm</i>	77
4.4.3 <i>History</i>	78
4.4.4 <i>System Configuration</i>	79
4.4.5 <i>Power dispatch</i>	81
4.4.6 <i>System Protection Parameters Setup</i>	81
4.4.7 <i>System control parameters</i>	83
4.4.8 <i>Arc Fault Current Interruption</i>	89
5.0: OPERATION	91
5.1 START-UP	91
5.2 SHUTDOWN	91
5.3 OPERATION MODE	91
5.4 GRID-TIED POWER GENERATION.....	93
6.0: MAINTENANCE AND DE-INSTALLATION	94
6.1 FAULT SHUTDOWN AND TROUBLESHOOTING	94
6.1.1 <i>LED Fault and Troubleshooting</i>	94
6.1.2 <i>LCD fault and troubleshooting</i>	94
6.2 PRODUCT MAINTENANCE	99
6.2.1 <i>Check the Electrical Connection</i>	99
6.2.2 <i>Clean the Air Vent Filter</i>	100
6.2.3 <i>Replace Cooling Fans</i>	100
6.2.4 <i>Replace the Inverter</i>	102
6.3 UNINSTALLING THE INVERTER	104
7.0: PRODUCT WARRANTY AND RMA POLICY	105
8.: TECHNICAL DATA	106
9.0: ACCESSORY OPTIONS	110
9.1 FUSE BYPASS	110
9.2 SHADE COVER	111
9.3 AC & DC DISCONNECT COVERS.....	114

10.0: APPENDICES: 115

APPENDIX A – INSTRUCTION OF INVERTER SELECTION 115

APPENDIX B – PVI 36TL DATASHEET 119

APPENDIX C – STRING SIZING TOOL 119

APPENDIX D – CONTACT INFORMATION 119

APPENDIX E – AUTHORIZED DISTRIBUTORS..... 119

APPENDIX F – UL 1741 / UL 1699B/ IEEE 1547 / CSA 22.2#107.1

AUTHORIZATION TO MARK 120

1.0: Overview

1.1 Inverter for Grid-Tied PV Systems

The PVI 36TL inverter is suitable for use for commercial and large scale PV grid-tied systems. A system is generally made up of PV modules, DC power distribution equipment, PV inverter and AC power distribution equipment (Figure 1.1). The inverter converts DC from PV modules to AC with the same frequency and phase as the AC grid. All or part of the AC power is supplied to local loads, and the surplus power is supplied to the electricity grid.

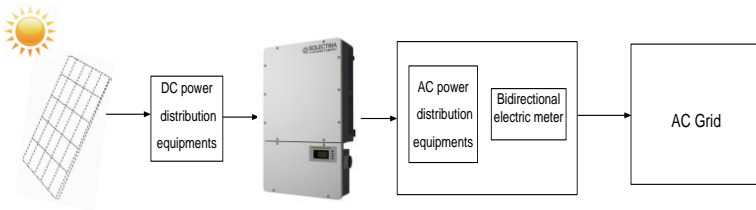


Figure 1.1 - Grid-Tied PV System

1.2 Product Features

- ◆ **High Conversion Efficiency:** Advanced 3-level conversion technology; Max. efficiency: 98.4% ; CEC efficiency: 98.0%
- ◆ **Strong Grid Adaptability:** 4 grid standards applicable; Reactive power adjustable; Power Factor (PF) value: ± 0.8 , Remote Curtailment
- ◆ **Flexible Communication:** Supports standard Modbus communications to ensure compatibility with 3rd party monitoring and control systems
- ◆ **Wide DC Input Voltage Range:** Operating DC Input Voltage Range: 200-950Vdc; Max DC input voltage: 1000V
- ◆ **Long Service Life:** Uses thin-film capacitors to extend inverter's service life
- ◆ **2 MPPTs:** Dual and independent MPPT (Maximum Power Point Tracking) enable maximum design flexibility and optimize energy harvest over the life of the system
- ◆ **High Protection Degree:** NEMA 4X protection degree meets the needs of both indoor and outdoor use;
- ◆ **Intelligent Integration:** Embedded DC/AC switches and up to 10 fused string inputs eliminates the need for external combiner boxes and simplifies installation.

1.3 Product Protection Functions

- ✓ Reverse polarity protection of DC input
- ✓ Short circuit protection
- ✓ Arc-Fault Circuit Interruption
- ✓ Anti-islanding protection
- ✓ Input and output over-voltage protection
- ✓ Input over-current protection
- ✓ Monitoring of DC input insulation against ground
- ✓ Monitoring of AC output voltage and frequency
- ✓ Monitoring of Leakage current against ground
- ✓ Monitoring of DC injection from AC output
- ✓ Monitoring of ambient temperature
- ✓ Monitoring of IGBT module temperature

1.4 Circuit Structure Design

The basic schematic diagram of PVI 36TL inverter is shown in Figure 1.2. The input of PV modules passes through surge protection circuitry, DC EMI wave filter, and the front-end boost circuitry to achieve maximum power tracking and boost up voltages. The output of the inverter converts the DC voltage to 3-phase AC voltage. The high frequency AC components are removed with a wave filter. Then the 3-phase AC voltage is passed through two-stage relays and EMI wave filter to produce high quality AC power.

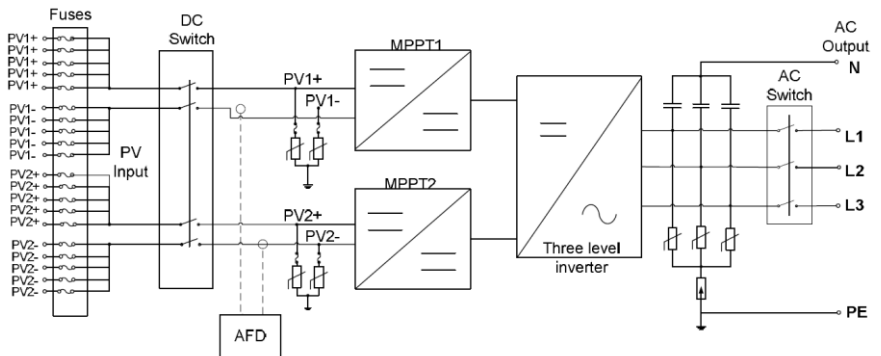


Figure 1.2 - Schematic Diagram of PVI 36TL Inverter

1.5 Appearance Description

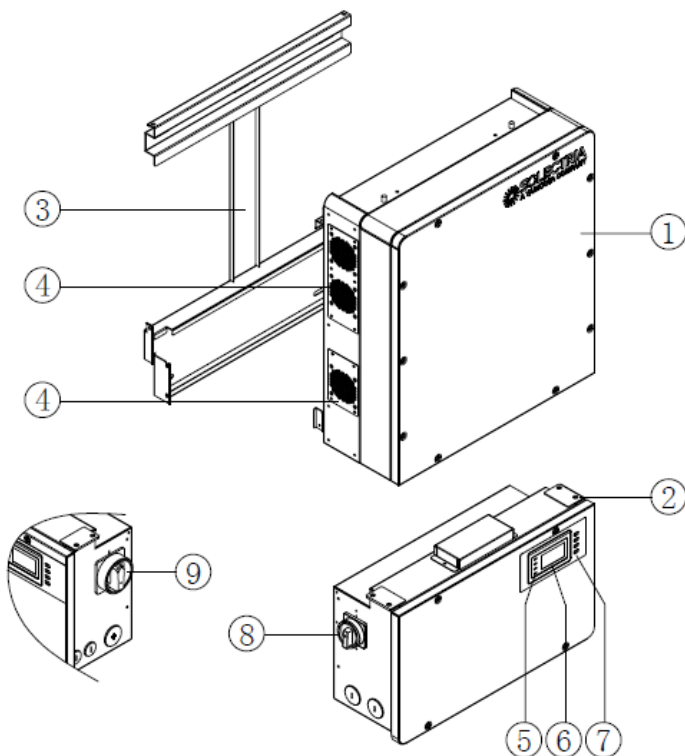


Figure 1.3 - Sketch of PVI 36TL Inverter

Main Items of the Inverter:

- 1) Main inverter section
- 2) Wiring box of the inverter
- 3) Mounting bracket
- 4) External cooling fans
- 5) LED indication lights
- 6) LCD
- 7) Key buttons
- 8) DC switch: DC power on/off
- 9) AC switch: AC power on/off

1.6 Anti Islanding

This inverter includes Active Anti-Islanding detection as required by UL1741/IEEE1547. The inverter will automatically make small variations in reactive power output in order to detect a possible islanding condition. If the grid is stable, these small variations will have negligible effects on system voltage and frequency. However, in an islanded condition the small amount of reactive power changes will force the system voltage or frequency to change significantly, which will trigger the inverter to shut down.

1.7 DC Ground Fault Protection

The PVI 36TL includes residual current detection as part of the DC ground fault detection method as required by UL1741. If there is a ground fault in the array, the ground fault detection technology will detect the array leakage current. The inverter will shut down if the leakage current exceeds 500mA.

1.8 Surge Suppression

STANDARD WAVEFORM PEAK VALUES		
Surge Category	Ring Wave	Combination Wave
B	6 kV/0.50 kA	6 kV/3 kA

- "Standard 1.2/50 μ s - 8/20 us Combination Wave"
- "Standard 0.5 μ s - 100 kHz Ring Wave"

1.9 DC Arc Fault Detection

The PVI 36TL includes DC Arc fault detection compliant with UL 1699B. The inverter detects electrical noise that typically accompanies a DC series arc. The inverter will shut down should the arc fault sensor detect a series arc. See section "Arc fault current interruption" for more details.

2.0: Installation

Below is the installation procedure for the inverter. Please read carefully and install the product step-by-step.

Before installation, please check that the following items are included in the package:

Table 2.1 - Main Items

No.	Item	Qty	Note
(1)	Main inverter section	1	
(2)	Wiring box	1	
(3)	Mounting bracket	1	Upon which inverter is hung and mounted onto a wall
(4)	User manual	1	Installation and operation manual
(5)	Accessory kit	1	Contains all necessary accessories

The (5) Accessory kit contains items listed below:

Table 2.2 - Accessories

No.	Item	Qty	Note
(1)	M8 Expansion tubes	8	For mounting bracket
(2)	M8×25 assembling bolts	8	For mounting bracket
(3)	M6 X16 screw	6	For wiring box and main section; 2 spare parts
(4)	M5X10 screw	8	8 for mounting bracket and inverter, external ground connection;
(5)	M5 flange nut	2	For internal ground stud connection; 1 spare part
(6)	Lifting eye nut M10	2	For lifting the main section
(7)	OT type terminal	2	For ground connection
(8)	Pre-insulated end	5	For AC output cables, 1 spare part

	ferrule for AC side (4 AWG)		
(9)	Pre-insulated end ferrule for grounding (8AWG)	8	For AC ground cables
(10)	Pre-insulated end ferrule for DC side (10 AWG)	20	For DC input cables
(11)	RJ45 connector	4	For RS-485 or Ethernet communication, 2 spare parts
(12)	5 pin connector	1	For RS-485 communication
(13)	3 pin connector	1	For dry contact communication



INSTRUCTION:

The items in the accessory kit table above are for the standard configuration. The accessories may vary if optional parts are purchased.

2.1 Recommendations before Installation

- ✓ Check that the product environmental specifications (protection degree, operating temperature range, humidity and altitude, etc.) meet the requirements of the specific project location;
- ✓ Make sure that the AC grid voltage is within the normal range.
- ✓ Ensure that the local electricity supply authority has granted permission to connect to the grid.
- ✓ Installation personnel must be qualified electricians or people who have received professional training.
- ✓ Sufficient space according to Figure 2.3 should be provided to allow the inverter cooling system to operate normally.
- ✓ Install the inverter away from flammable and explosive substances.
- ✓ Avoid installing the inverter in locations that exceed the temperature limits specified in the inverter data sheet to limit undesirable power loss.
- ✓ Do not install the inverter near the electromagnetic source which can compromise the normal operation of electronic equipment.

2.2 Mechanical Installation

1) Dimensions

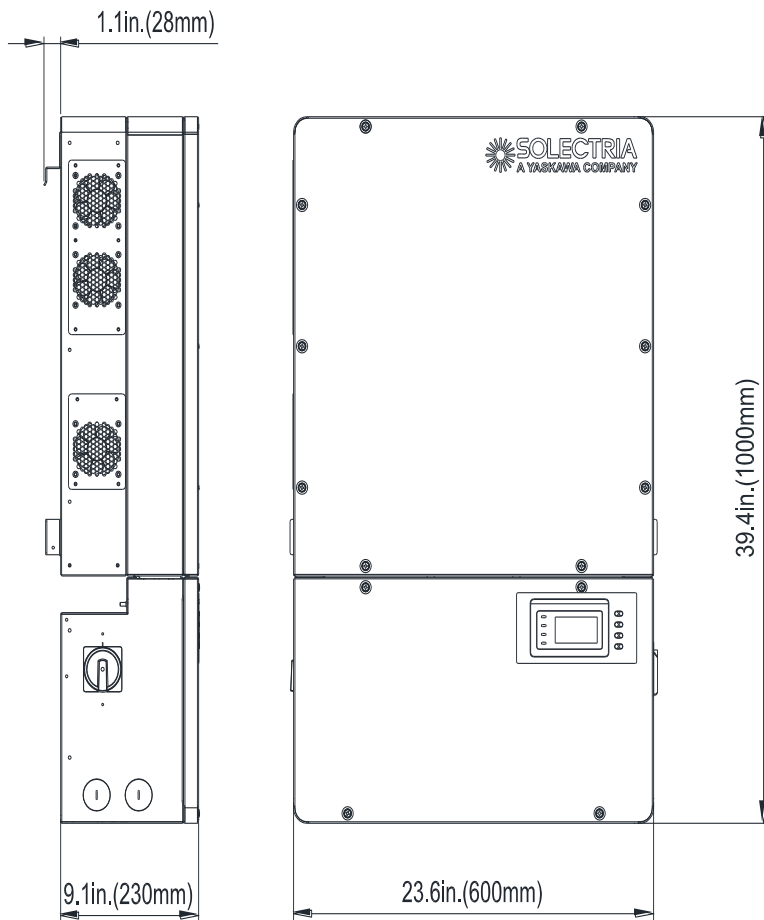


Figure 2.1 - PVI 36TL Inverter Dimensions

2) Installation Method (see Figure 2.2):

Make sure that the mounting structure (wall, rack, etc.) is suitable to support the inverter weight. Follow the mounting guidelines below:

- (a) If the location permits, install the inverter vertically.
- (b) If the inverter cannot be mounted vertically, it may be tilted backward but no lower than 15 degrees from horizontal.



The shade cover option must be purchased and installed for any installation angles of 75° or less.

- (c) Do NOT mount the inverter leaning forward.
- (d) Do NOT mount the inverter in a horizontal position (<15 degrees).
- (e) Do NOT mount the inverter upside down.

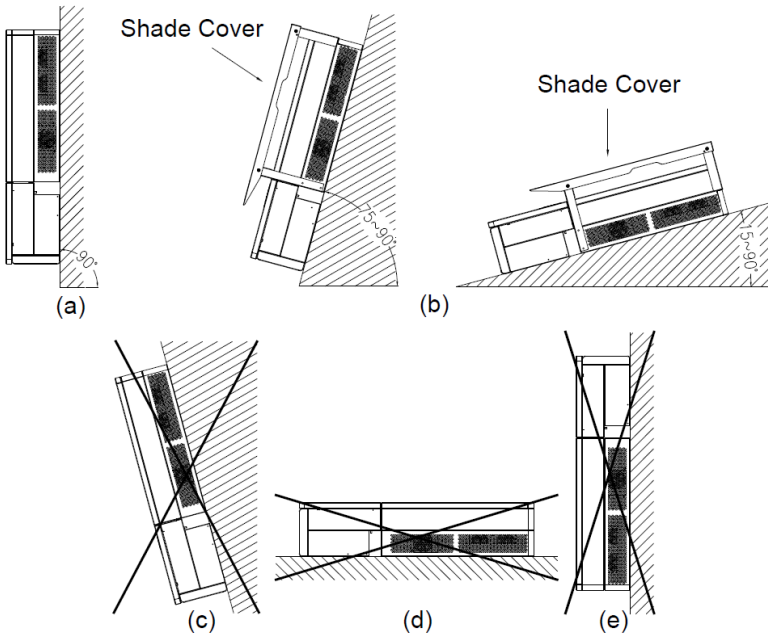


Figure 2.2 - Inverter Mounting



WARNING: Do not install the inverter tilted forward, lying on its back, or upside down as shown in Figure 2.2 c, d and e.



WARNING: Shade covers are required for inverters installed at angles 75° or less.

3) Installation Space Requirement (see Figure 2.3):

The distances between the inverters or the surrounding objects should meet the following conditions:



NOTICE:

The spacing between two adjacently mounted inverters should be $\geq 500\text{mm}$ (19.7 inches). Ensure that the air space around the inverter is well ventilated.

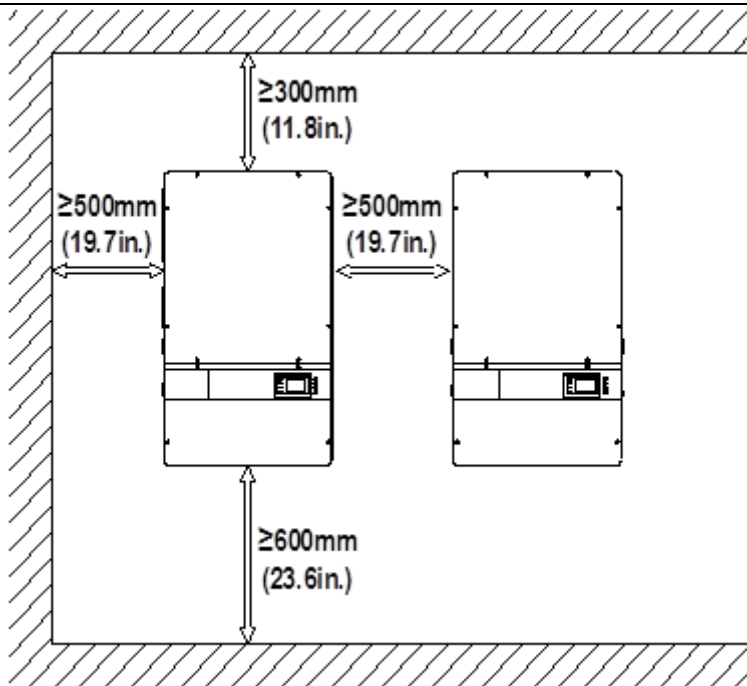


Figure 2.3 - Inverter Wall Mounting Specifications



NOTICE:

The installation clearance between two inverters needs to be increased to 30 in. when the ambient temperature is higher than 45°C.

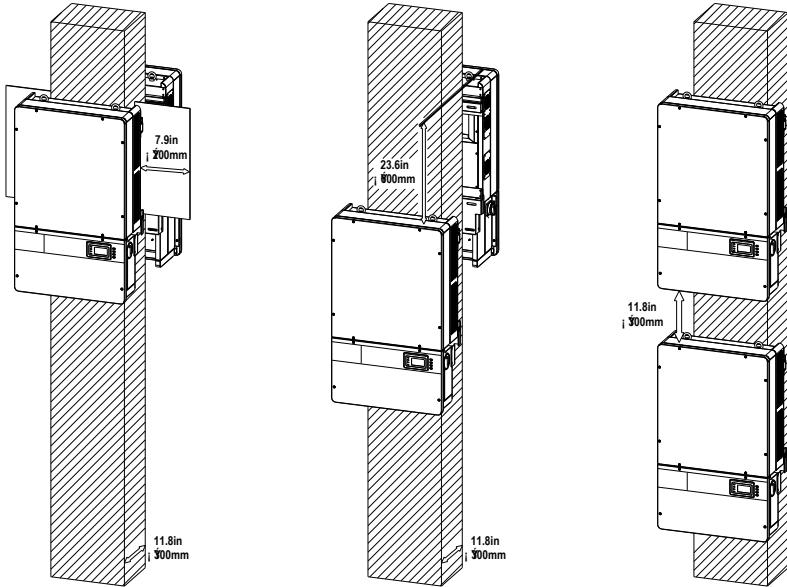


Figure 2.4 - Inverter Pillar Mounting Specifications



INSTRUCTION:

If the inverter is installed on Unistrut or the array racking (instead of solid wall), the space from the bottom of one inverter to the top of the inverter below may be as small as 4in (100mm).

4) Mounting the Inverter Onto the Bracket

(1) Mark the 8 holes on the bearing surface for mounting the bracket as shown in Figure 2.5;

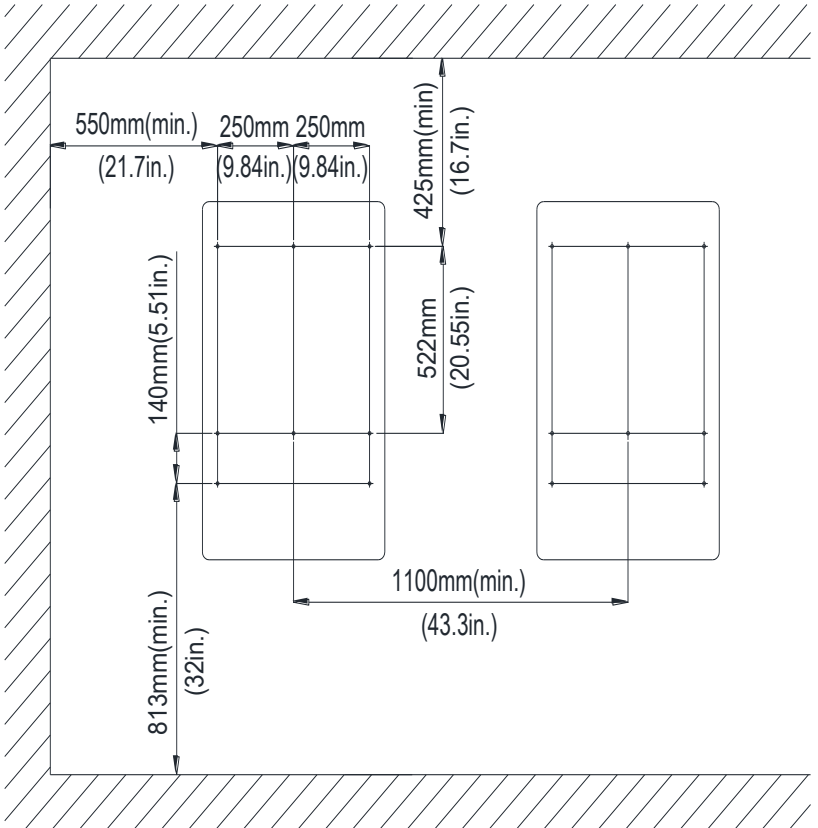


Figure 2.5 - Holes on the Bearing Surface Dimensions

(2) Drill holes at the marked positions with a 10mm (0.4in.) drill and put the **M8 expansion tubes** ① into the holes; fasten the **mounting bracket** ② with the **M8x25 assembling bolts** ③ in the accessory kit. Figure 2.6.

Tool: Electric drill (Φ 10mm/0.4in. head), 13mm wrench 240 in-lbs

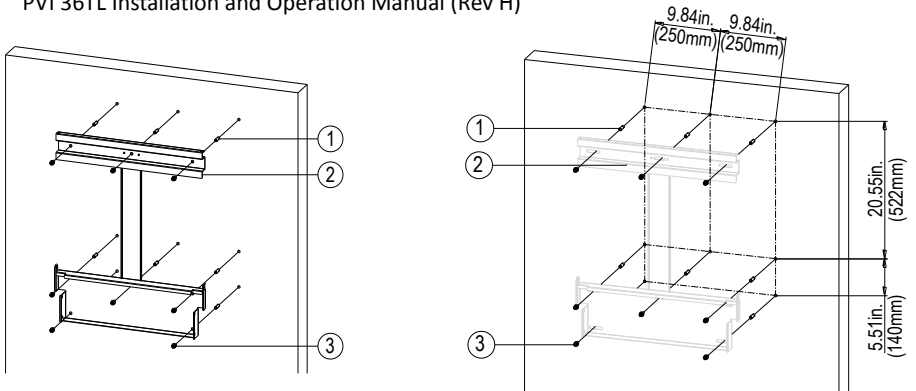


Figure 2.6 - Securing the Mounting Bracket

(3) Hang the inverter onto the mounting bracket as shown in Figure 2.7 and Figure 2.8;

Lift mounting: Take out the **lifting eye nut M10 (2pcs)** from the accessory kit, and screw them onto the studs at the top of the inverter. Use a sling rope or bar (inserted through both lifting eye nuts) to lift the inverter onto the bracket. The minimum angle between the two sling ropes should be less than 90 degrees.

Manual mounting: Two people are needed to properly lift the inverter by the handles detailed in Figure 2.8, and mount the inverter onto the bracket.



CAUTION:

The main PVI 36TL inverter section is **55kg (≈122 pounds)**. Please ensure the mounting bracket is properly installed before hanging the inverter on the bracket. It is recommended to have at least 2 people to mount the inverter due to the weight of the equipment.

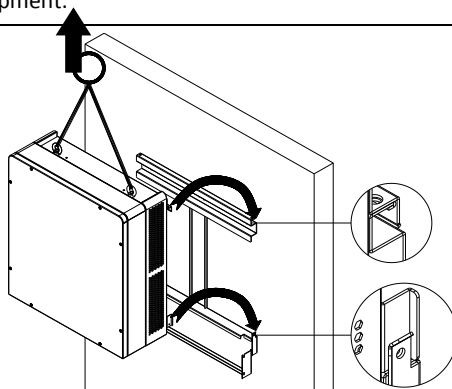


Figure 2.7 - Mounting the Main Inverter Section on the Bracket

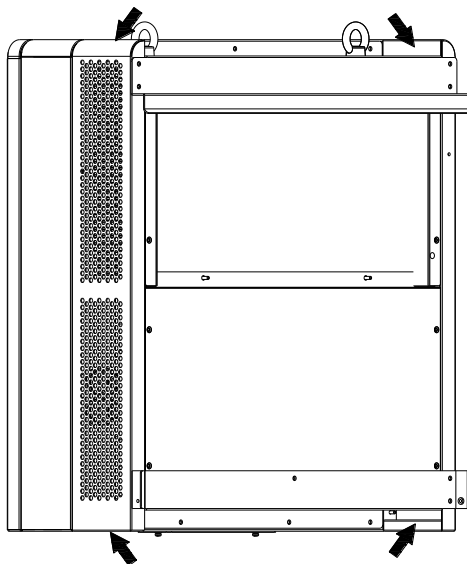


Figure 2.8 - Grab Handle Position

(4) Installing the wiring box

- ① Remove the cover plate at the bottom of the main section. (see Figure 2.9)

Tool: No.2 Phillips head screwdriver

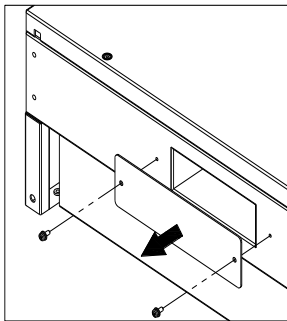


Figure 2.9 – Main Section Cover Plate

- ② Remove the cover at the top of the wiring box (see Figure 2.10)

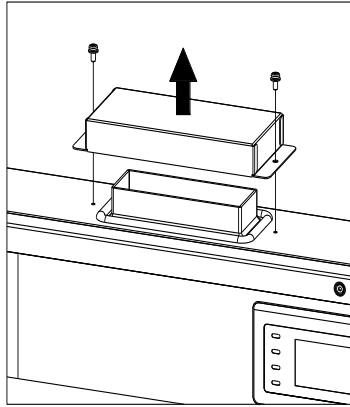


Figure 2.10 - Wiring Box Cover

- ③ Connect the wiring box to the main section, using M6x16 screws (4pcs) to secure the wiring box. (see Figure 2.11)

Tool: No. 10 Wrench, torque value of 25 in-lbs (2.8N.m)

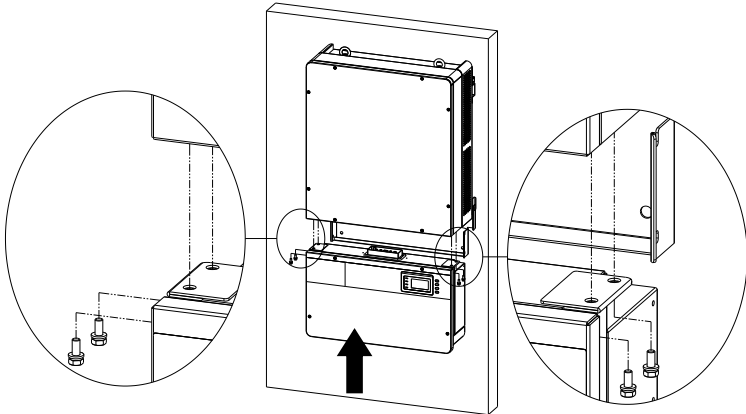


Figure 2.11 - Wiring Box Installation



CAUTION:

The total weight of the PVI 36TL main inverter section and wiring box is 66kg (146 pounds).

(5) Attach the main section and the wiring box to the mounting bracket with the **M5x10 bolts** (6 pcs). (see Figure 2.12)

Tool: No.2 Phillips head screwdriver, torque value of 1.6N.m (14 in-lbs)

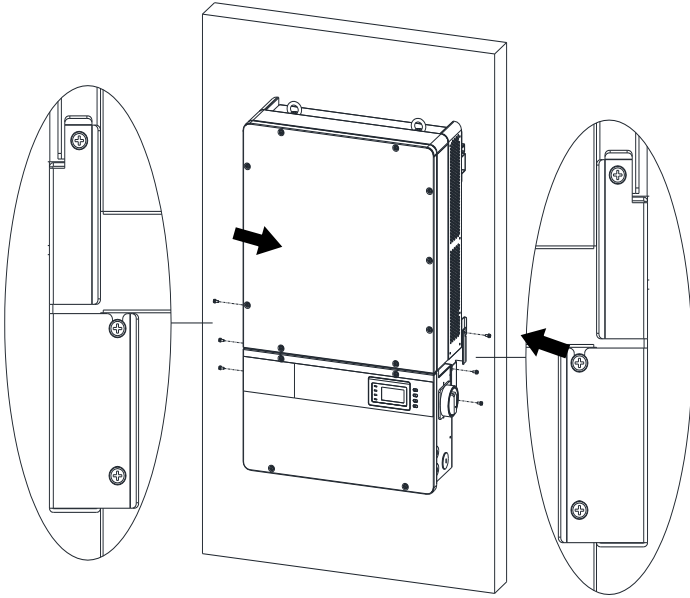


Figure 2.12 - Secure the Main Section and Wiring Box to the Bracket

(6) Optional - Install an anti-theft padlock when the installation is complete. The anti-theft padlock is used to help prevent the inverter from being stolen when the equipment is installed outdoors. You can lock the inverter on the bracket, as shown in Figure 2.14:

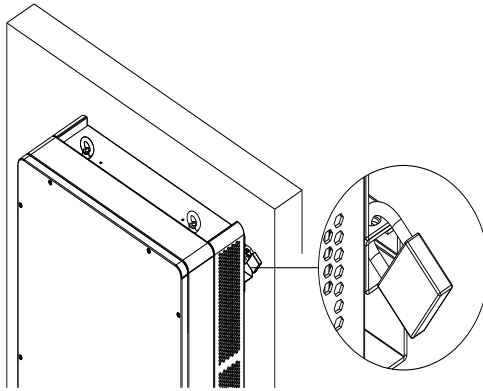
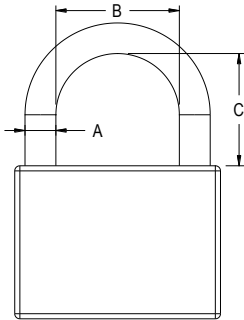


Figure 2.13 - Anti-Theft Padlock Location

The anti-theft padlock should meet the requirement of the dimensions shown in Figure 2.14:



Recommended lock size:

A: $\Phi 3\sim 6\text{mm}$

B: $20\sim 50\text{mm}$

C: $20\sim 50\text{mm}$

Figure 2.14 - Dimensions of Anti-Theft Padlock

5) Removing/Replacing the Wire Box Cover:

- (1) Use a #3 Phillips screwdriver to remove the 4 screws on the wiring box and pull cover straight off the box. Do not twist or slide the cover while removing. (see Figure 2.15)

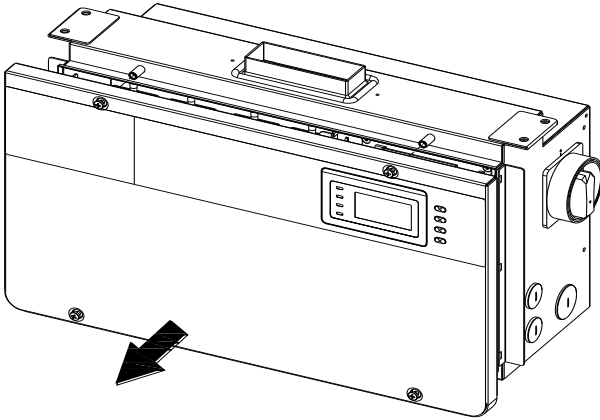


Figure 2.15 – Removing the Wiring Box Cover

(2) To replace the cover use a #3 Phillips screwdriver to replace the 4 screws on the cover.



INSTRUCTION:

It is important to use a hand tool (e.g. Screwdriver or T-handle, #3 Phillips) and not power drivers or other types of screw drivers. Also, it is important to hold the cover in alignment with balanced force across the cover, not weighted toward any edge. Partially engage all four screws to the threaded inserts a few rotations before tightening any one screw. This is important to maintain alignment and avoid thread damage. When all four screws are engaged torque to 20 in-lbs (2.2Nm).

2.3 Electrical Installation

The connection interface of PVI 36TL inverter:

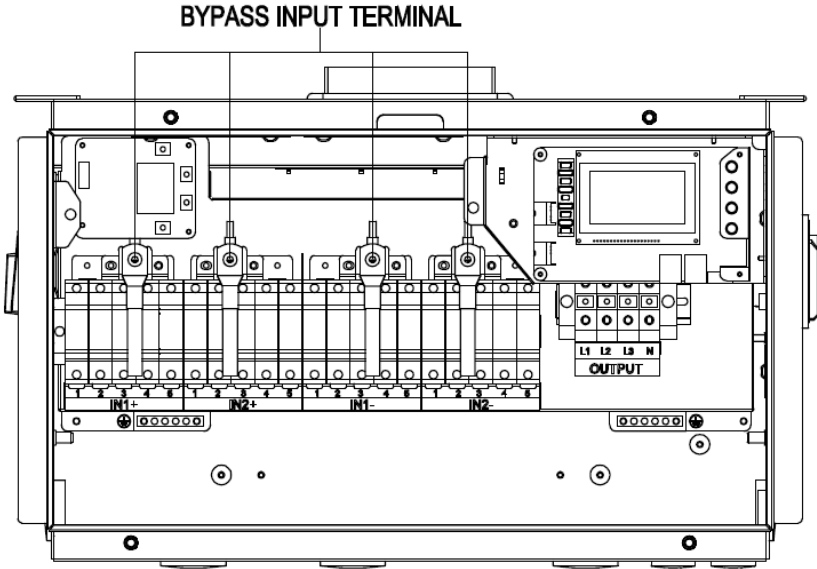


Figure 2.16 - Full View of Wiring Box with Options

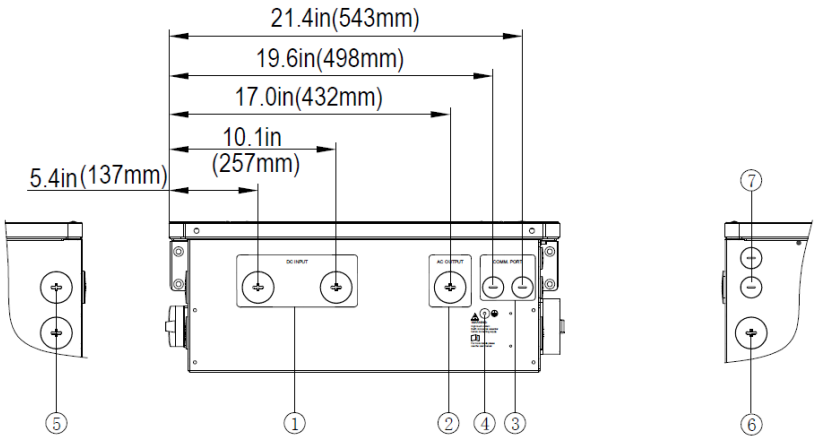


Figure 2.17 - External Connection Ports

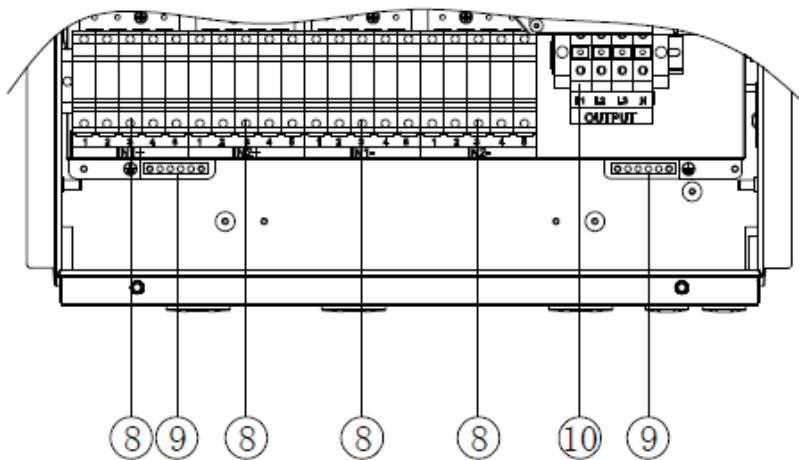


Figure 2.18 - Internal Connection Points

1. Knockout for DC input cable, 1-1/4inch
2. Knockout for AC output cable, 1-1/4inch
3. Knockout for communication cable, 3/4inch
4. External ground connection point
5. Side knockout for DC input cable,1-1/4inch
6. Side knockout for AC output cable, 1-1/4inch
7. Side knockout for communication cable , 3/4inch
8. DC fuse holder
9. Internal ground connection point and grounding studs.
10. AC output terminal block

Choose the cables for inverters according to the following configuration table:

Table 2.3 - Cable Specifications

Position	Cable	
DC input (+ / -)	DC cables specifications refer to Table3-6	
AC output (L1/L2/L3/N)	#6-1AWG(Copper) #4-1AWG(Aluminum)	#6AWG recommended(Copper) #4AWG recommended (Aluminum)
PE	#10-6AWG(Copper)	#8AWG recommended (Copper)
RS-485 communication	UTP CAT-5e or 3x#22-18AWG communication cable (eg. Belden 3106A)	

DC GROUND

Even though the inverter operates with an ungrounded PV array, the PV system still requires equipment grounding.

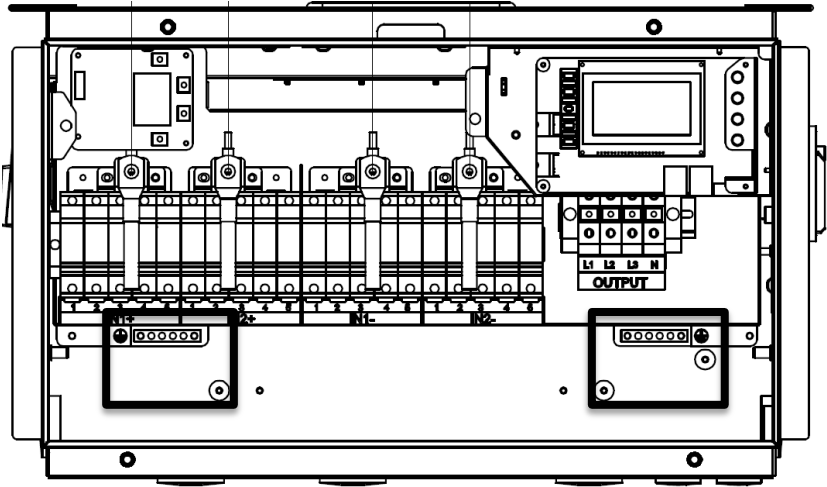


Figure 2.19 - Equipment Grounding Locations

2.3.1 DC Connection

1) Working Mode

PVI 36TL inverter has two PV input sections: DC Input-1 and DC Input-2. These two sections can work in “Parallel mode” or “Independent mode” (see Figure 2.20). The default setting from the factory is “Parallel mode”.

In Parallel mode, the two PV input sections share one MPP Tracker; In Independent mode, each PV input section works with independent MPP Tracker.

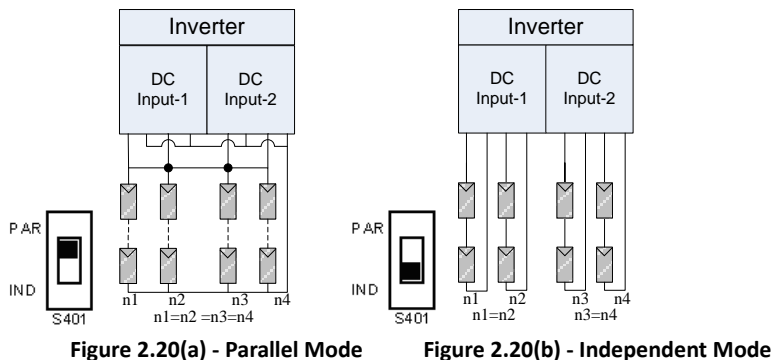


Figure 2.20(a) - Parallel Mode

Figure 2.20(b) - Independent Mode

Table 2.4 - DC Input Power Specification

PVI 36TL	(Parallel mode- Default from factory)	(Independent mode)
Rated DC power	37kW (70A)	18.5kW (35A)
Absolute Max open circuit Voltage	1000V	1000V
Operating voltage	200-950VDC	200-950VDC
Max power input voltage range (MPPT)	540-800VDC	540-800VDC
Maximum available PV current (Isc x 1.25)	125A	62.5A
Maximum PV power	54kW	27kW

Note: The standard configuration is “Parallel mode”. If it needs to switch to the “Independent mode”, please take the following steps to change the internal configuration:

1. Remove the cover of the wiring box. (see Figure 2-15)
2. Remove the protection cover. (see Figure 2.21a)
3. Use No.2 Phillips head screwdriver to remove the jumper busbar, torque value of 1.6N.m (14 in-lbs) (see Figure 2.21b)
4. Set the selector switch on the LCD board (see Figure 2.22) to independent mode.
5. Reinstall the protection cover.

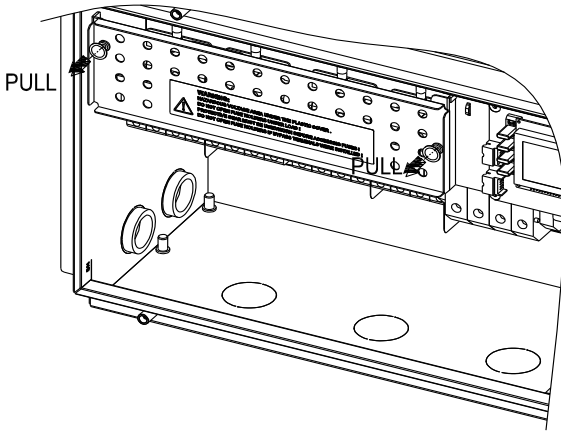


Figure 2.21(a)

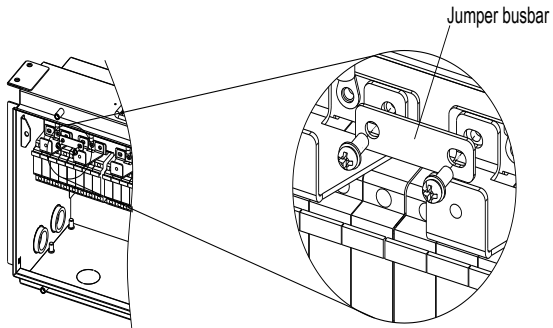


Figure 2.21(b)

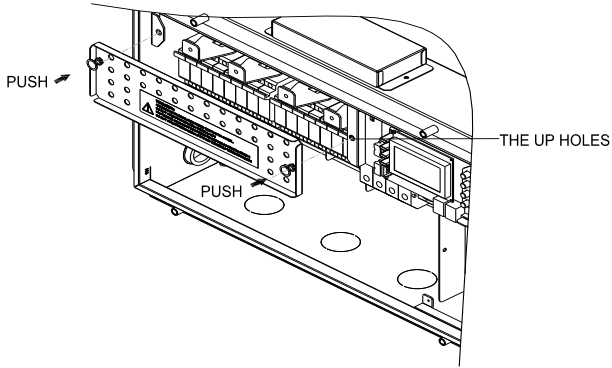
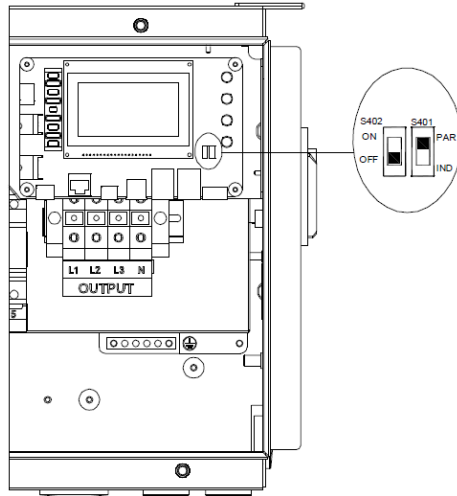


Figure 2.21(c)



Selector switch for PV connection mode		1----independent mode 2----parallel mode
--	--	---

Figure 2.22 – PV Connection Mode Selector Switch Location

2) DC Fuse Configuration

PVI 36TL inverters are equipped with standard 15A DC fuses. Customers must verify that the appropriate fuses are installed depending on the actual configuration of PV strings.

- (a) Each independent string of DC input from the PV strings needs fuse protection.
- (b) The rated voltage of fuses should 1000V
- (c) The rated current of fuses is generally $1.56 \times$ short circuit current from the PV strings, rounded up to the next available fuse size.

The following table lists the fuse type, specifications and number under the rated voltage and power range of 10 strings of PV panels.

36 kW	Brand	Standard fuses	20A	25A	30A
	Littelfuse	SPF015	SPF020	SPF025	SPF030
		15A/1000V	20A/1000V	25A/1000V	30A/1000V

Table 2.5 - DC Fuse Selection

Note 1: The 1000VDC Littelfuse fuse series are recommended. The detailed information is available for customers to find and download from <http://www.littelfuse.com/>.

Note 2: The fuse holders can also accept a 20A (SPF020), 25A (SPF025) and a 30A (SPF030) fuse for combined input strings if needed.

Note 3: Two 30A fuses should not be used next to each other.

Note 4: Solectria does not provide these fuses, but customer can replace with the appropriate fuse in field.



WARNING: Use of different fuses or wrong sized fuses can cause damage to equipment or create un-safe working conditions.

3) DC Cable Connection

To ensure the optimum performance of the inverter, please read the following guidelines before DC connection:

- (a) Confirm the DC configuration referring to Table 2.5 and ensure that the maximum open circuit voltage of the PV modules is lower than 1000 VDC under any conditions.
- (b) Confirm that the PV strings for each MPPT of the inverter are of the same type and specification before connection. The number, orientation, and tilt of PV strings may differ for different applications.
- (c) Configure the external wiring according to the conditions in table 2.6:


	WARNING: Working with live voltage is dangerous. It is recommended to have all live circuits disabled prior to performing connections.
---	---

Table 2.6 - DC Input Configuration

DC Inputs	Configuration	Max. DC Wire Size	Conductors Torque	Fuse Type
10	Standard use of wiring box fuses	4 AWG	30 in-lbs	PV Fuse
9*	Standard use of wiring box fuses	4 AWG	30 in-lbs	PV Fuse
8	Standard use of wiring box fuses	4 AWG	30 in-lbs	PV Fuse
7*	Standard use of wiring box fuses	4 AWG	30 in-lbs	PV Fuse
6	Standard use of wiring box fuses	4 AWG	30 in-lbs	PV Fuse
5*	Standard use of wiring box fuses	4 AWG	30 in-lbs	PV Fuse
4	Standard use of wiring box fuses	4 AWG	30 in-lbs	PV Fuse
2	Use of Bypass terminals	2 AWG	50 in-lbs	Bypass terminals

1*	Use of Bypass terminal	2 AWG	50 in-lbs	Bypass terminal
----	------------------------	-------	-----------	-----------------

*Consider combining MPPT zones for such configurations

- (d) Check the polarity (Figure 2.23) before plugging the DC connectors with the cables of PV strings according to the following steps:
- Use a multi-meter to measure the PV strings' cable ends and check the polarity.
 - The positive (+) terminal of cable should match the positive (+) terminal of inverter's DC input.
 - The negative (-) terminal of cable should match the negative (-) terminal of inverter's DC input.



NOTICE:

It is important to use a multi-meter to check the polarity of DC input cables to avoid any risk of reverse polarity.

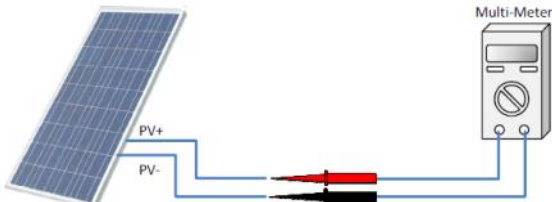


Figure 2.23 - Polarity Check

- (e) Remove the plug from the holes of the DC side and plug the suitable conduits of 1-1/4 inch through the knockouts. Then put the cables through the conduits inside the wiring box.

- (f) Crimp the DC cables with the attached pre-insulated end ferrule (16Pcs) by using the crimping pliers. (see Figure 2.25)

Tools: Diagonal pliers, wire stripping pliers, crimping pliers

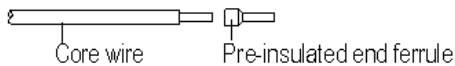


Figure 2.24 - DC Input Cables Set Up

(g) Connect the crimped DC cables to the terminal block on the circuit board and fasten the screws, as shown in Figure 2.25:

Tools: 6mm (0.23in.) flat screwdriver

Torque value: 3.4N-m (30 in-lbs)

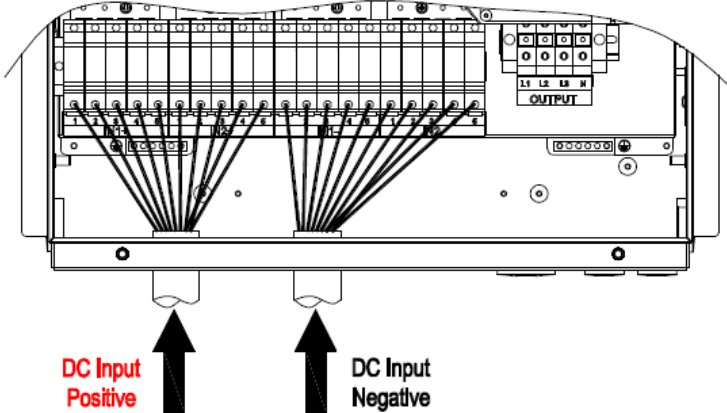


Figure 2.25(a) - DC Input Cable Specifications

4) Dual Maximum Power Point Tracking

The inverter is designed with two separate MPP Trackers (Dual MPPT) which can operate independently or combined.

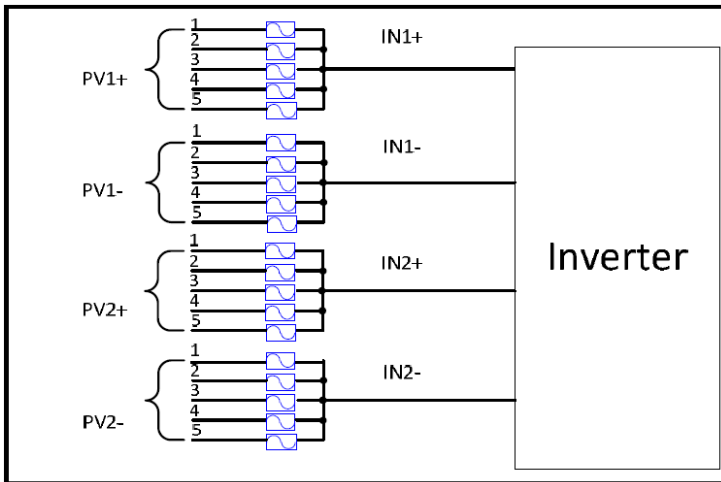


Figure 2.26 - Two MPPTs Operating Independently

Independent mode can be very helpful for sites with shading on parts of the array. **However, this also means that one must consider these two zones as two separate inverters and power must be balanced as much as possible between the two MPPT zones.**



NOTE: Always connect an equal number of wires to PV1 and PV2 connectors for dual MPPT zone operation. If an odd number of connections are required, we recommend setting the inverter to single (combined) MPPT zone.



NOTE: Connecting all of the inputs at zone “PV1” will result in only utilizing 50% of the inverter power



WARNING: Strings must be balanced for optimum performance and AC output. When doing DC/AC ratio sizing, perform calculations on the zone level unless you intend to combine MPPT. Maximum DC/AC oversizing ratio is 1.5 STC conditions of the modules. Each zone maximum input power is 27 kW. Note for any application that may experience higher than 1000 W per m² on a regular basis, a smaller DC/AC ratio is recommended. Also, the combined Isc rating of all strings multiplied by 1.25 must be less than 125A for Parallel mode or 62.5A for each MPPT in Individual mode. Failure to follow those guidelines will result in damage to the inverter and will void your warranty.

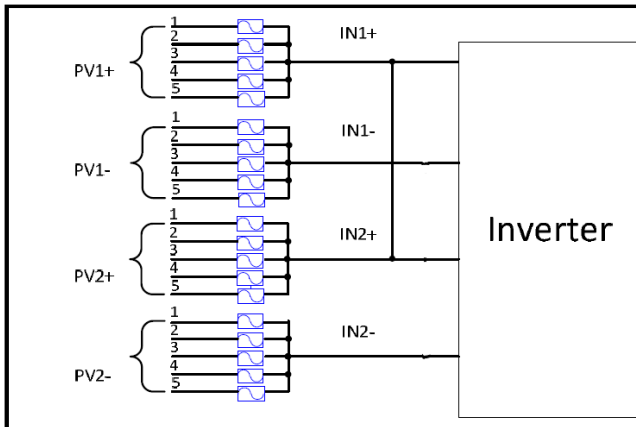


Figure 2.27 - Two MPPTs Combined to Operate as One

When the copper jumpers are installed across DC+ and DC- this allows the power to be evenly distributed between the two trackers such as applications of odd number of strings.

Note 1: The temperature rating of the input wirings should be no less than 90°C (194°F).

Note 2: The recommended fuse types are configured according to the condition that the input strings are the same.

2.3.2 AC and Ground Connection

The following describes how to connect the AC and ground cables between the inverter and the AC grid:

- 1) Use #3 Phillips head screwdriver to loosen the 4 screws on the wiring box and take off the cover. (see Figure 2.-28)
- 2) Remove the plugs from the holes of the AC side and install the suitable conduits of 1-1/4 inch through the holes. Then put the cables through the conduit inside the wiring box.
- 3) The inverter supports 3 kinds of cable connection on the AC side depending on the grounding connection method. The cable set-up procedures are illustrated below.

Use tables 2.-7 and 2.8 for Required tools and Torque values

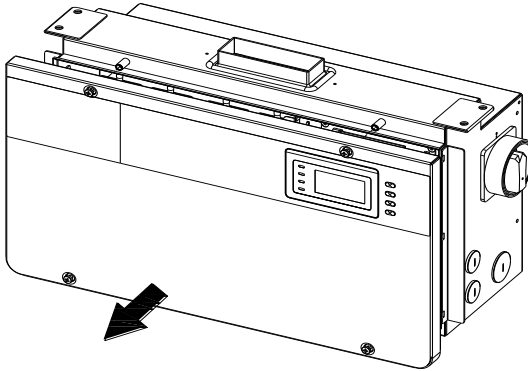


Figure 2.28 - Remove the Wiring Box Cover

Table 2.7 - Required Tools

No.	Tools
1.	#3 Phillips screwdriver
2.	1/4" flat head bit
3.	1/8" flat head bit
4.	Torque driver
5.	Diagonal pliers
6.	Wire stripping pliers
7.	Crimping pliers

Table 2.8 - Torque Values

AC output terminal block	30 in-lbs (3.5 N-m)
Internal grounding bar	14 in-lbs (1.6 N-m)
Internal grounding stud	14 in-lbs (1.6 N-m)
External grounding point	14 in-lbs (1.6 N-m)

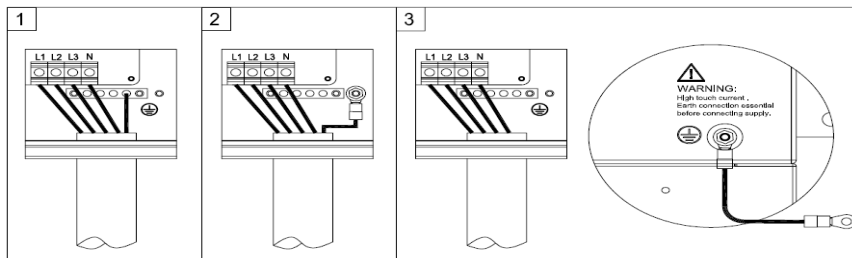


Figure 2.29 - AC Output and Ground Cable Connections

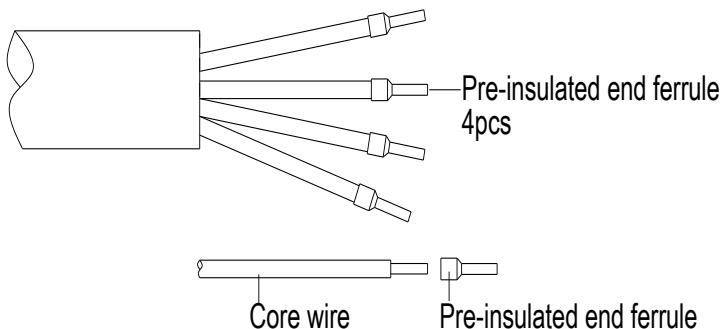


Figure 2.30 - AC Output and Ground Cable Set Up

(1) Connect the AC (L1, L2, L3, N) cables to the terminal block and use the OT type terminal to connect the ground cable to the internal grounding stud inside the wiring box. (see the 2nd graph in Figure 2.27) Set up the cables referring to Figure 2.29.

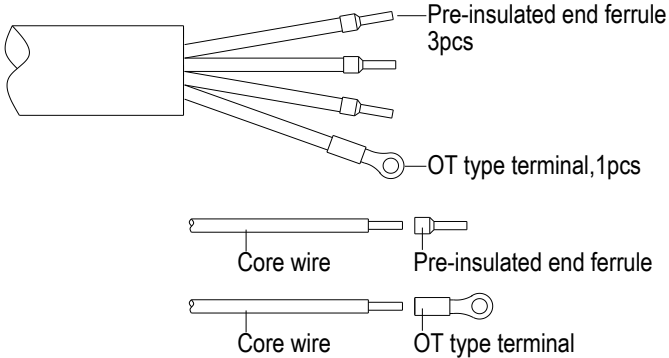


Figure 2.31 - AC Output and Ground Cable Set Up

(2) Connect the AC (L1, L2, L3, N) cables to the terminal block and use the OT type terminal to connect the ground cable to the external grounding point at the bottom of the wiring box. (see the 3rd graph in Figure 3-27) Set up the cables referring to Figure 2.30.

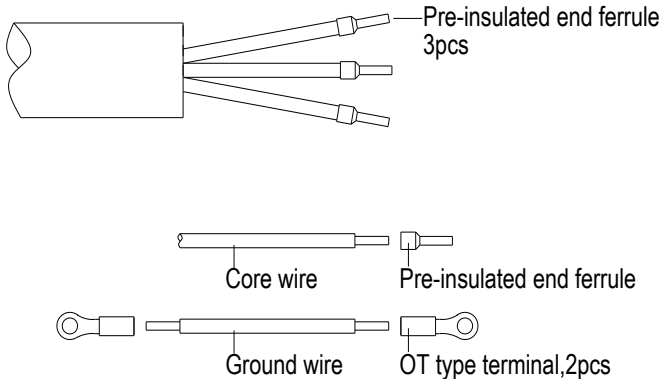


Figure 2.31 - AC Output and Ground Cable Set Up



INSTRUCTION:

The attached pre-insulated end ferrules match with the #6AWG cables. If a different gauge is selected, a different pre-insulated end ferrule will need to be provided by the installers.

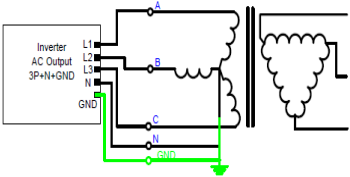
(3) When the output of the inverter is connected to the grid, an external AC circuit breaker is required to be installed to safely disconnect the inverter from the grid when overcurrent occurs.

(5) The Grid connection type could be optional, which can be (L1,L2, L3,N,PE). Either 3 pole or 4 pole AC circuit breaker should be selected as per the following specifications:

Table 2.9 - AC Breaker Selection

Inverter	AC breaker rated current (A)
PVI 36TL	60

Acceptable Transformer Configurations:

Description	Configuration	Inverter Compatibility
4 Wire WYE (3 phase + Neutral +GND)		Compatible with 36TL
Other Configurations	All other configurations not mentioned in this document, such as Corner Grounded Delta	Not compatible with 36TL

When interfacing with a Wye-grounded transformer winding, a neutral is required. Since the neutral is used by the inverter for voltage sensing, the neutral does not carry full load amps. The size of the neutral may be reduced to a conductor no smaller than the EGC.

When installing multiple inverters for parallel operation connected to a single transformer the kVA rating of the transformer must be at least 5% greater than the total inverter kVA rating that feed the transformer. Up to 70 inverters may be connected in parallel for use with a single transformer.

2.4 Inverter Communication Connections

The PVI 36TL inverters support industry standard Modbus RS-485 communications.

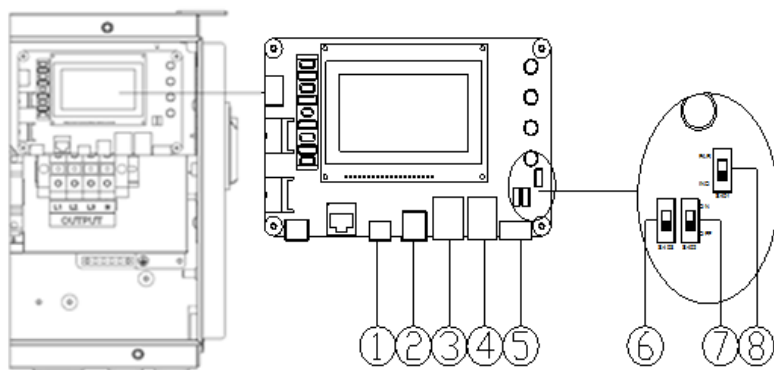


Figure 2.32 - Communication/LCD and component locations inside the inverter Wiring Box

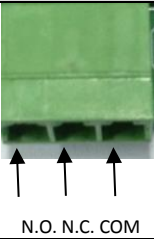
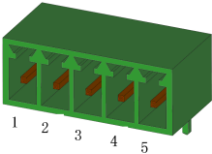

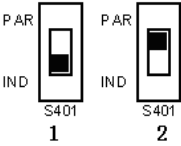
Item	Picture	Configuration description
1		<p>P205 - Dry Contact Communication Port (3 Pin Connector)</p> <p>Please see section 2.4.3 Dry contact communication for more details.</p>
2		<p>P207 - USB port</p> <p>Reserved for factory use</p>
3		<p>P204 - Not Used</p>
4		<p>P203 - Not Used</p>
5		<p>P208 - Modbus (RS-485) connector</p> <p>1 - NC</p> <p>2 - NC</p> <p>3 - RS-485+</p> <p>4 - RS-485-</p> <p>5 - NC</p>
6		<p>S403 - Not Used</p>
7		<p>S402 - Selector switch for the 120Ω Modbus RS-485 termination resistor</p> <p>1 - Disable the RS-485 bus termination</p> <p>2 - Enable the RS-485 bus termination</p>
8		<p>S401 - Selector switch for setting the PV connection mode</p> <p>1 - Independent mode</p> <p>2 - Parallel mode</p> <p>See section 2.3.1 for more details</p>

Table 2.10 - Communication connections and configuration switches

2.4.1 Third Party Monitoring Systems Modbus Connections

The PVI 36TL inverter can be connected to a third party Data Acquisition System (DAS) via Modbus (RS-485) connection as shown in figure 2.33.

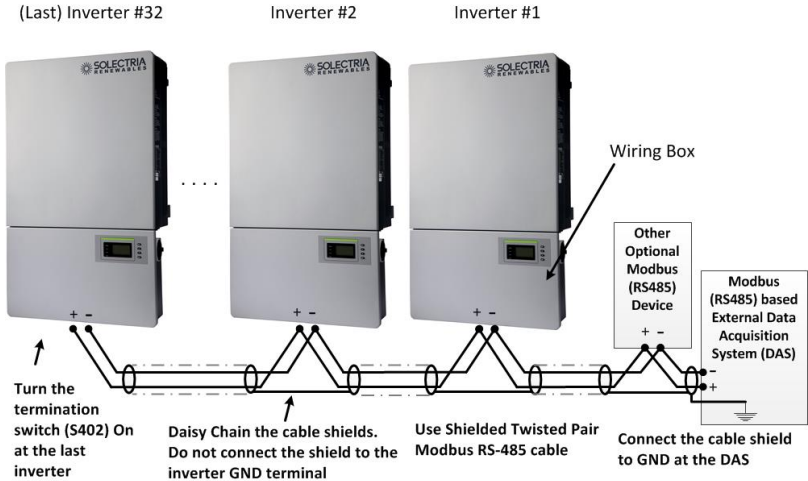


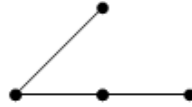
Figure 2.33 - PVI 36TL Inverters in a Modbus (RS-485) Daisy Chain Connected to a third party DAS

- When connected to a third party Data Acquisition System (DAS), Solectria PVI 36TL inverters support up to 32 inverters/devices on the Modbus (RS-485) daisy chain. The Inverter Modbus IDs are configurable from 1 to 32.
- Solectria recommends that the Modbus (RS-485) daisy chain for PVI 36TL inverters is limited to a maximum length of 1600 ft. (500m).
- Care must be taken when daisy chaining the inverters as shown above, utilizing a Shielded Twisted Pair Modbus cable such as Belden 9841 or Southwire 58165802.
- The shield continuity should be maintained for the entire length of the daisy chain and should only be connected to ground (GND) at the Data Acquisition System (DAS). The shield should not be connected to any of the inverters to prevent any possible ground loops.
- It is important to terminate the Modbus (RS-485) bus correctly to minimize any noise and reflections. The bus should have termination resistors at the source (the DAS) and at the last Modbus device in the daisy chain, typically an inverter. The PVI 36TL Modbus termination resistor is turned on by flipping switch S402 to the ON position as shown in Figure 3-35. S402 should always be left in the off position except for the last inverter in the daisy chain.

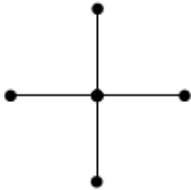
- Star or T Modbus (RS-485) network topologies should always be avoided. See Figure 2.34.



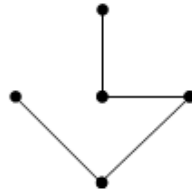
(a) Incorrect



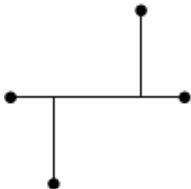
(a) Correct



(b) Incorrect



(b) Correct



(c) Incorrect



(c) Correct

Figure 2.34

It is important to daisy chain the inverter Modbus (RS-485) connections to minimize noise and bus reflections. Any network topologies shown to the left should be avoided. Equivalent daisy chain topologies shown to the right should be used instead.

Connecting third party DAS Modbus (RS-485) Network to the PVI 36TL Inverter:



Warning: Risk of Electric Shock.

Make sure all DC and AC power to the unit has been disconnected before opening the inverter wiring box and make sure hazardous high voltage and energy inside the equipment has been discharged.

1. Open the inverter wiring box.
2. Bring the cable into wiring box through knockout holes at the bottom. See section 2.3 Electrical Installation for more information.
3. Connect the Modbus (RS-485) wires to the green Phoenix connector (P208) ensuring correct polarity and using a twisted pair in the shielded twisted pair cable.
4. If the inverter is the **last** Modbus device in the daisy chain, make sure the Modbus termination switch S402 is in the ON position (Up towards the LCD) enabling Modbus termination. Do **not** turn the switch to the ON position in any other inverters in the daisy chain.

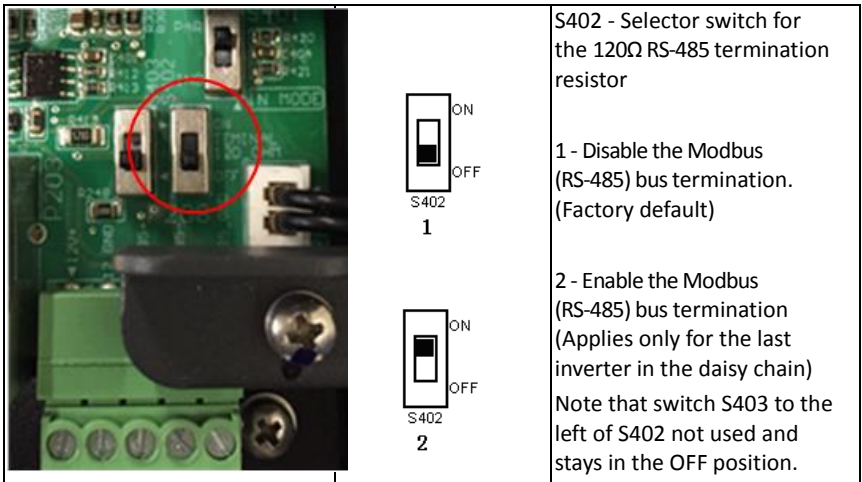


Figure 2.35 - The Modbus (RS485) Termination Switch (S402) Location and Settings on the LCD/Communication Board.

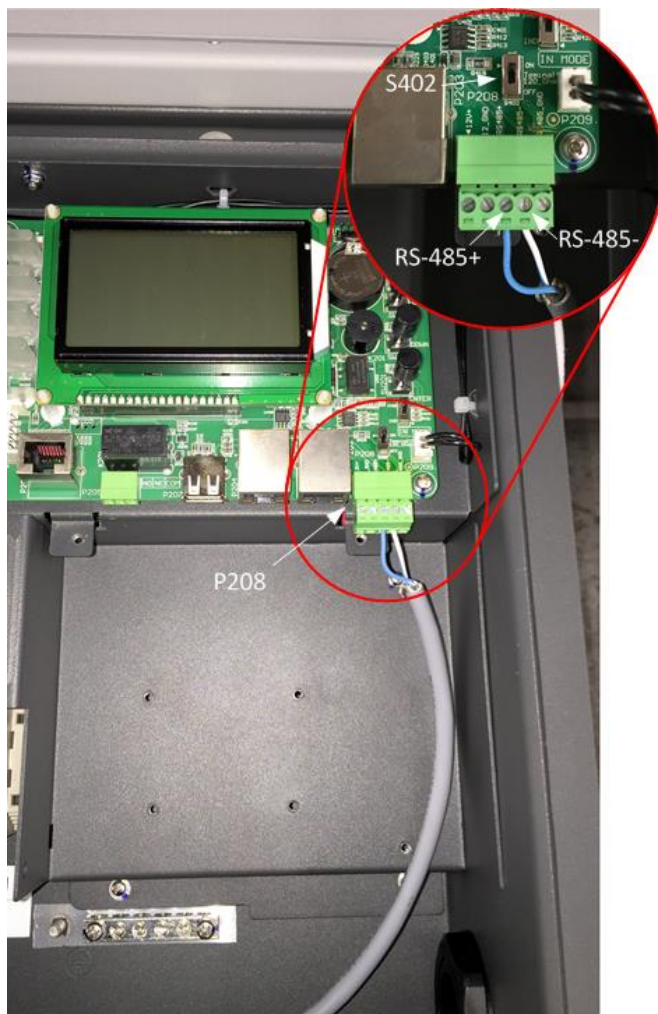


Figure 2.36

The above image shows the Modbus (RS-485) cable connection where the Modbus daisy chain ends. Notice how the cable shield is not landed inside the inverter. The Modbus termination switch (S402) is in the on position.

5. **IMPORTANT:** The cable shield should only be connected to ground (GND) at the third party DAS. Do not connect the shield to any of the inverters

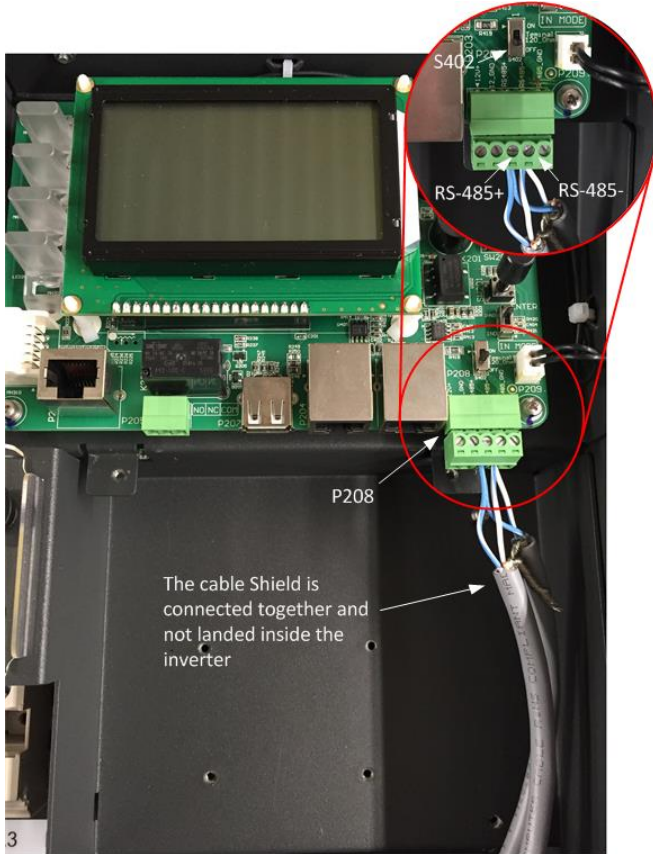


Figure 2.37

Notice how the cable shield is daisy chained together and not landed inside the inverter. S402 is in the OFF position, or down towards the P208 connector when the inverter is in the middle of the daisy chain.



Warning: Risk of Electric Shock.

Make sure all shield wires are properly secured and insulated to prevent shorting to any other components inside the inverter.

6. Close the wiring box.
7. Reconnect AC and DC power and turn the inverter on when it is safe.
8. Configure the Inverter Modbus ID and Baud rate using the front LCD display.

2.4.2 SolrenView Data Logger Modbus Connections

The SolrenView Data loggers are installed externally as shown in figure 2.38a, 2.38b and is shipped with an external weathertight box and a combination power and Modbus cable.

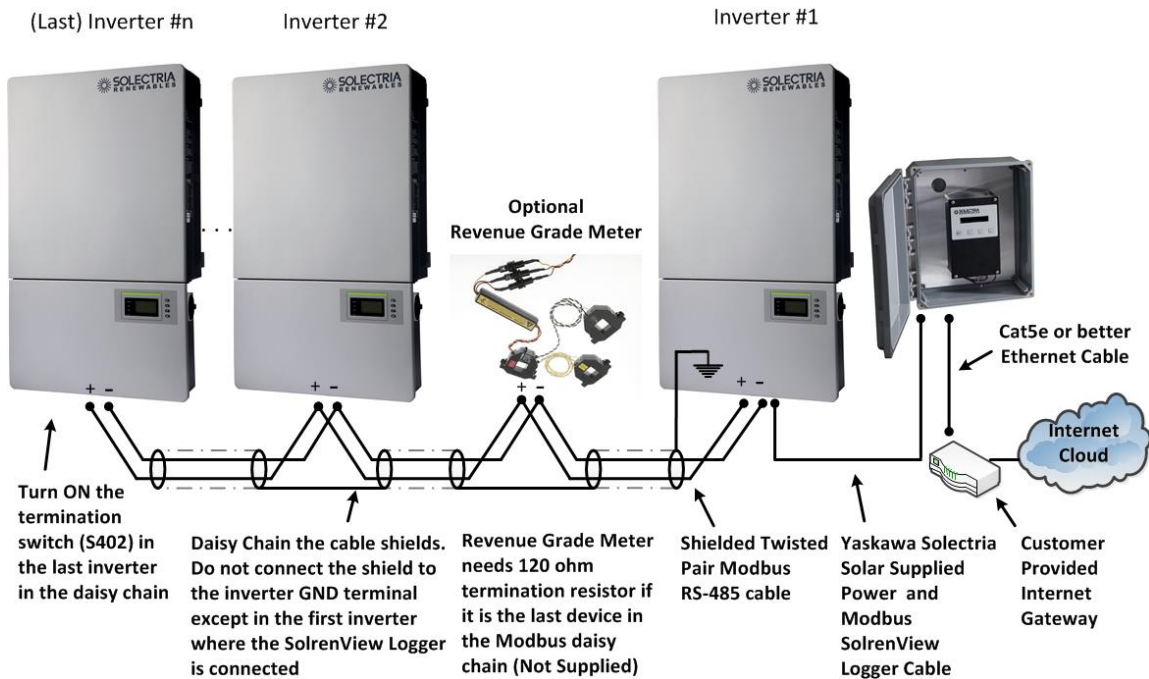


Figure 2.38a - Typical PVI 36TL Network Connections Utilizing SolrenView Data Logger and Veris Revenue Grade Meter.

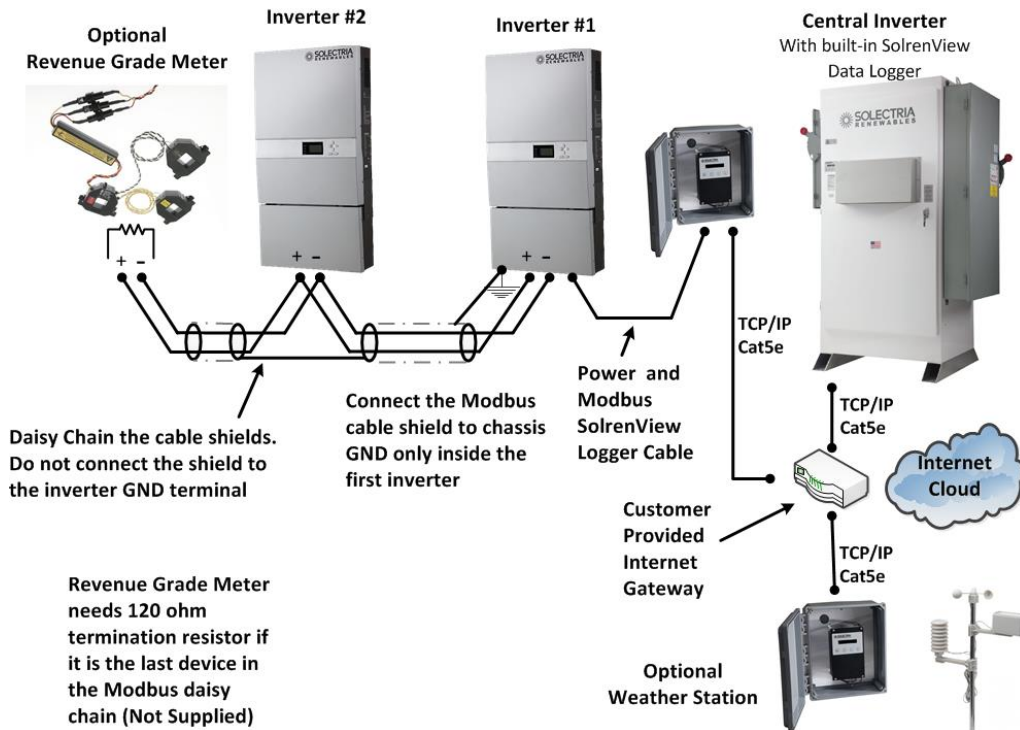


Figure 2.38b - Typical PVI 36TL Network Connections Utilizing SolrenView Data Logger, Veris Revenue Grade Meter, Central Inverter and a Weather Station.



Warning: Risk of Electric Shock.

Make sure all DC and AC power to the unit has been disconnected before opening the inverter wiring box and make sure hazardous high voltage and energy inside the equipment has been discharged.

- The SolrenView data logger acts as the Modbus Master and can support up to 32 inverters on the Modbus (RS-485) daisy chain utilizing Modbus IDs 1 through 32. If more than 32 inverters are required, additional SolrenView data loggers must be added, with each logger supporting up to 32 inverters per daisy chain.
- Solectria recommends that the Modbus (RS-485) daisy chain for PVI 36TL inverters is limited to a maximum of 1600 ft. (500m).
- The inverter Modbus (RS-485) connections must utilize a Shielded Twisted Pair Modbus cable such as Belden 9841 or Southwire 58165802.
- The cable shield continuity should be maintained for the entire length of the daisy chain and should only be connected to Chassis GND inside the first inverter in the daisy chain as shown in figure 2.38. The shield should not be connected to any of the other inverters to prevent any possible ground loops.
- Star or T Modbus (RS-485) network topologies should be avoided. See Figure 2.34.
- It is important to terminate the Modbus (RS-485) bus daisy chain correctly at both ends with 120 ohm resistor to minimize any bus noise and signal reflections. The bus should have termination resistors turned on at the SolrenView data logger and at the last Modbus device in the daisy chain, typically an inverter. It is important that the Modbus is only terminated at the opposite ends regardless of there being only 2 or up to 32 devices connected to the bus.

The Modbus termination resistors are built into the PVI 36TL inverter which can be turned on by flipping switch S402 to the ON position as shown in Figure 2.35. The S402 switch should always be left in the OFF position except for the last inverter in the daisy chain.

The SolrenView data logger ships with the Modbus termination resistors turned on. For more details see Figure 2.41

Installing the SolrenView Data Logger:

1. Install the SolrenView data logger and its weathertight box next to the first inverter in the daisy chain. The SolrenView data logger is powered by the inverter and needs to be connected to the first inverter in the Modbus daisy chain.



Figure 2.39. - The SolrenView Data Logger.

2. The SolrenView data logger is connected to the customer provided Ethernet Gateway utilizing a customer provided Cat5e or better Ethernet cable as shown in figure 2.38 and 2.40. The Ethernet cable must be continuous and the length kept shorter than 328ft (100m) to ensure trouble free Ethernet communications.

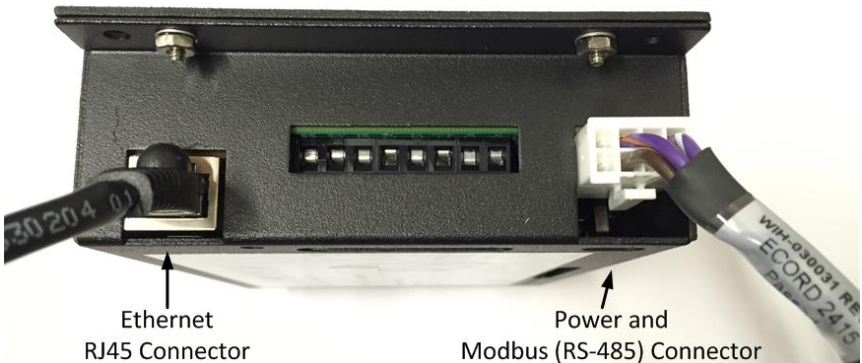


Figure 2.40. - SolrenView Data Logger Ethernet, Modbus and Power Connections.

3. Connect the supplied SolrenView data logger power and Modbus cable to the logger as shown in Figure 2.40.
4. The SolrenView data logger is shipped from the factory with the Modbus termination resistors in the ON position. See DIP switches #3 and #4 closest to the white Molex connector on SW1 in Figure 2.41a.

Note: Switches 3 and 4 have been removed from Rev 4 and newer boards and are no longer applicable on Rev 4 boards.

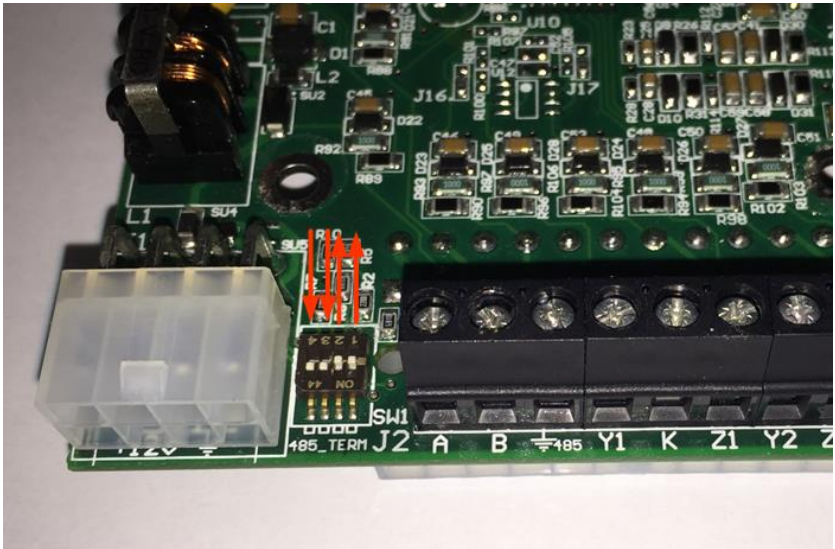


Figure 2.41a - The SolrenView Data Logger Printed Circuit Board and the Modbus Termination Dip Switches. SW 3 and 4 pushed away from the board edge and in the ON position.

Note: Do Not connect the 485 GND terminal.



Figure 2.41b - The SolrenView Data Logger Printed Circuit Board and the Modbus Termination Dip Switches. Rev 4 or newer board.

Note: Switches 3 and 4 have been removed from Rev 4 and newer boards and are no longer applicable on rev 4 and newer boards. The Modbus Termination Resistors are on by default.

Note: Do Not connect the 485 GND terminal.

Connecting the SolrenView Data Logger to the Inverters:



Warning: Risk of Electric Shock.

Make sure all DC and AC power to the unit has been disconnected before opening the inverter wiring box and make sure hazardous high voltage and energy inside the equipment has been discharged.

1. Disconnect all inverter AC and DC power.
2. Open the inverter wiring box.
3. Bring the Yaskawa Solectria Solar supplied SolrenView data logger power and Modbus cable into the inverter wiring box through knockout holes at the bottom. See section 2.3 Electrical Installation for more information. Connect the cable to P208 on the LCD board as shown in Figure 2.43.
4. Extend the Modbus cable shield with additional wire so that it can reach to the Chassis GND terminal block as shown in Figure 2.43.
The wire should be soldered to the cable shield to ensure solid and reliable connection.
The shield connection should be covered with a heat shrink tubing to prevent any shorts to other components inside the inverter. See figure 2.42.
The shield extension wire should be kept as short as possible to minimize any noise pickup.
5. If extending the Modbus daisy chain connection to another Modbus device such as an additional inverter or Modbus based RGM, connect the additional Modbus (RS-485) cable to the green 5 pin connector (P208), ensuring correct polarity and using the twisted pair in the Modbus cable. See Figure 2.42, 2.43 and 2.38 for more details. Care must be taken not to disconnect the Modbus or the power wires coming from the SolrenView data logger.



Figure 2.42 - Close up showing how the SolrenView Data Logger power and Modbus cable, the shield extension, and the optional Modbus cable extension connected to the P208 connector terminal block. Don't expose any more than 2" of wire outside of the shield.

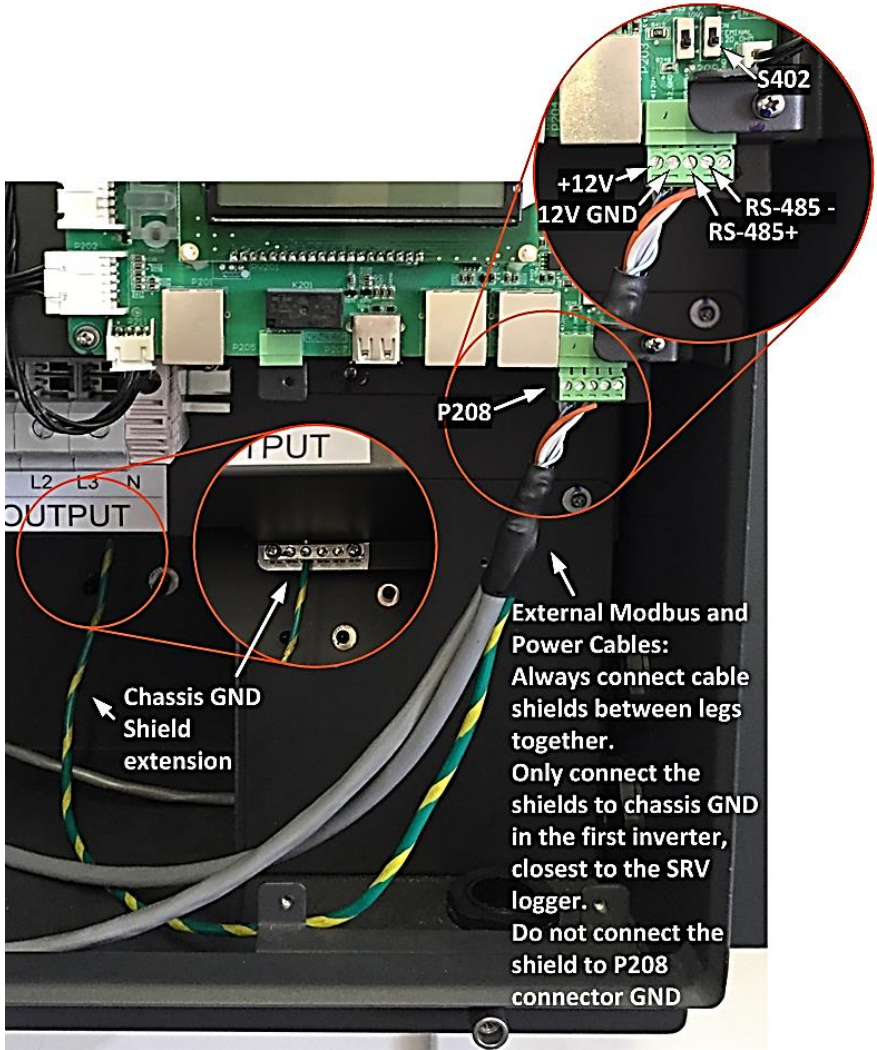


Figure 2.43 - The SolrenView Data Logger is connected to the PVI 36TL inside the Wiring Box.

6. If the inverter is the last/only Modbus device in the Modbus daisy chain, make sure the Modbus termination switch S402 is in the ON position (Up towards the LCD) enabling the Modbus termination resistor. Do **not** turn the switch to the ON position in any of the other inverters. See Figure 2.35 and 2.43.
7. Follow steps 5 through 8 in section 2.4.1 Third Party Monitoring Systems Modbus Connections to connect other inverters to the Modbus daisy chain.



Warning: Risk of Electric Shock.

Make sure all shield wires are properly secured and insulated to prevent shorting to any other components inside the inverter.

8. Close the wiring box.
9. Reconnect AC and DC power and turn the inverter on when it is safe.
10. Configure the Inverter Modbus ID and Baud rate using the front panel LCD display. See section 2.4.3 for more details.

2.4.3 Preparing the Inverter for Modbus Communications

To ensure correct Modbus communications with the SolrenView data logger, each inverter Modbus communications settings need to be configured properly. Please follow the steps below to adjust the inverter Modbus ID and Modbus Baud rate.

1. Turn the inverter DC power on when it is safe.
2. On each inverter LCD, move the cursor to "4 Setting" in the main interface using the UP/DOWN keys.
3. Press ENT to enter the password: UP -> DOWN -> UP -> DOWN.
4. Press ENT to confirm the password,
5. Move the cursor to "5 Com." and press the ENT key.
6. Move the cursor to "Address" press the ENT key.
7. Use the UP/DOWN keys to select the Modbus ID (address).
8. Press ENT to confirm the Modbus ID (1 - 128)
Each inverter must have a unique Modbus ID which must be different from a Revenue Grade Meter Modbus ID if it is used.
9. Move the cursor to "BaudRate" using the UP/DOWN keys and press the ENT key.
10. Select "1" for 9600 Baud or "2" for 19200 Baud using the UP/DOWN key.
The SolrenView data logger will auto discover either Baud rate, but 9600 Baud is recommended for long distances.
All the inverters in the Modbus daisy chain must use the same Baud rate.
11. Press ENT to confirm the Baud rate selection.

Press the ESC key anytime to back up the menu structure.

For more information see Figures 4.1 and 4.12.

2.4.4 Preparing the SolrenView Logger



Warning: Risk of Electric Shock.

Make sure all DC and AC power has been disconnected before starting any work.

The SolrenView data logger is shipped from the factory with default setting to auto discover Yaskawa Solectria Solar inverters and supported RGMs. The SolrenView logger should be connected to all the devices before it is turned on as described in above sections for the auto discovery to work.

1. Contact Yaskawa Solectria Solar Customer Support (+1-978-683-9700) to have them activate the SolrenView Monitoring and set up the SolrenView Monitoring site.
2. Connect the Ethernet connection to an active internet Gateway as shown in Figure 2.40. The SolrenView data logger will go through TCP/IP DHCP discovery when it is turned on and attempt to connect to the SolrenView Monitoring servers.
3. The inverter should already have been configured with unique Modbus ID between 1 and 128. When turned on, the SolrenView Logger will go through self-initialization and start searching for inverters which can last for several minutes.
Note that every inverter in the Modbus daisy chain has to be turned on and receiving DC power in order to be discovered.
4. If installed, the RGM should already be connected to the SolrenView data logger and powered on at this time, in order for the SolrenView data logger to auto discover it. The RGM must have a unique Modbus ID (1 - 32) that is different from the inverter designated Modbus IDs. Any Modbus ID conflicts will prevent Modbus communications with the conflicting devices.
5. Turn the inverter DC power for all the inverters. The inverter providing power for the SolrenView data logger should be turned on last as that turns the logger on. The SolrenView data logger will go through its auto discovery which can take several minutes.
 - a) Verify that the SolrenView data Logger is connected to the SolrenView servers. The SolrenView data logger status screen will display an “I” in the upper right corner on the LCD display when it establishes Internet connection to the SolrenView Monitoring servers. Note, the “I” is only displayed on the top level status screen.
 - b) Verify that the SolrenView data logger discovered all the inverters in the Modbus daisy chain by navigating to the “Inverter(s)” menu on the SRV data logger LCD display. Use the SolrenView logger LCD UP or DOWN arrows to scroll through the list of discovered inverters. Each inverter should be listed by Modbus ID and serial numbers on the LCD.
 - c) If an RGM option has been purchased and an RGM meter is installed, verify that the SolrenView data logger displays “Revenue-Grade” on the top LCD display line in the top level menu.

Internet Gateway Configuration:

The Internet Gateway should not require any special configuration as most routers are already configured to support DHCP discovery and to allow outgoing traffic. In case the router/firewall is configured to restrict outgoing traffic, an outgoing rule must be added to allow the logger to connect to the SolrenView Monitoring data servers.

2.4.5 Connecting Revenue Grade Meter to the SolrenView Logger



Warning: Risk of Electric Shock.

Make sure all DC and AC power has been disconnected before starting any work.

Some installations require Revenue Grade Metering (RGM) for accurate energy production tracking and reporting. For that purpose the RGM needs to be connected to the SolrenView Logger over Modbus (RS-485) connection as described below.

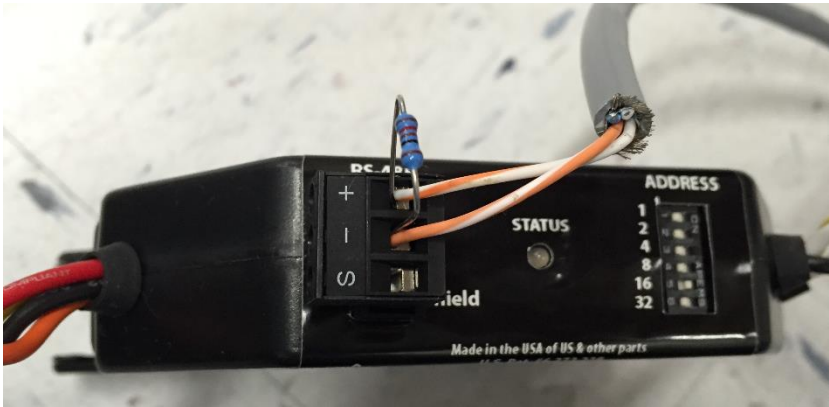


Figure 2.44 - This figure shows how the Veris RGM meter is connected to the Modbus (RS-485). Note the 120 ohm Modbus termination resistor (not supplied) is only needed if the RGM is the last device in Modbus daisy chain.



Warning: Risk of Electric Shock or equipment damage.

Make sure all shield wires are properly secured and insulated (i.e. heat shrink) to prevent shorting to any other components inside the inverter.

The SolrenView data logger is configured to automatically search for and detect an RGM. No special SolrenView data logger configuration is required for supported RGMs.

1. Choose a unique Modbus ID (address) different from any Inverter Modbus ID and set the switches for that ID as shown in Figure 2.45. Only Modbus IDs 1 through 32 can be used.

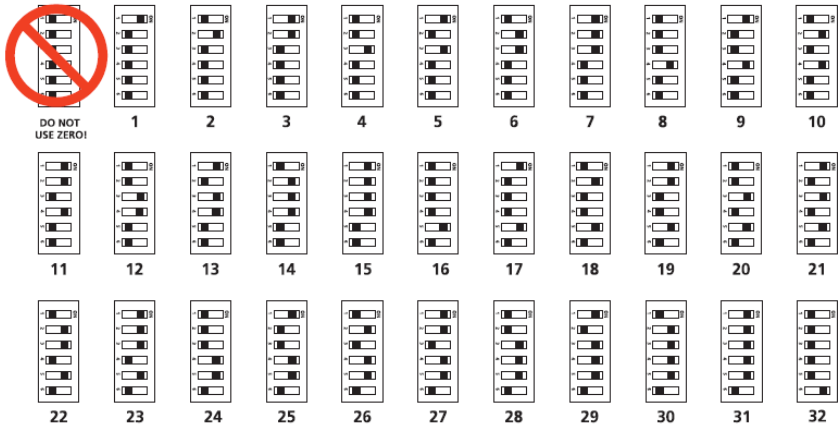


Figure 2.45 - Veris RGM meter Modbus ID (address) settings.

2. Connect the voltage leads to the phase conductors at a location that is not normally turned off. Connect voltage leads on the Line side of the conductor to ensure constant power to the RGM.
For a 3-phase system, connect the red lead to phase A, black to phase B, and yellow to phase C.
For more detailed information on how to connect the RGM, please see the RGM installation manual included with the RGM.

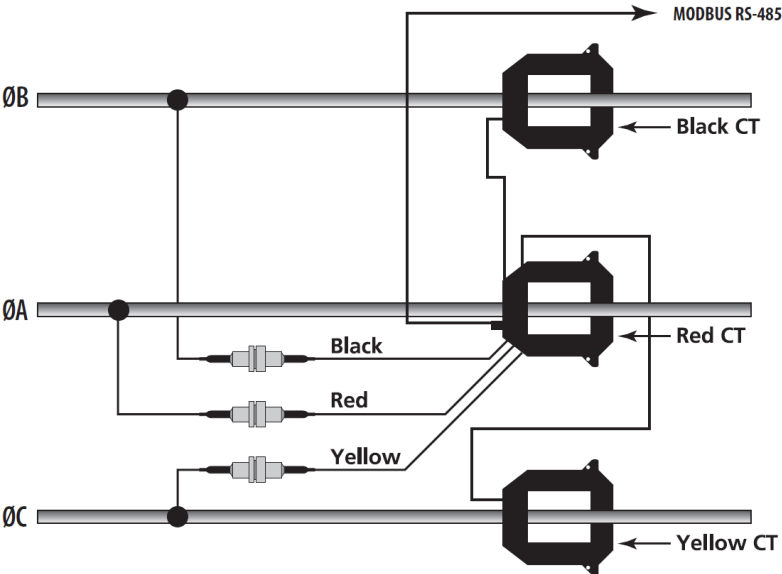


Figure 2.46 - Typical 208/480 VAC 3 phase, 3- or 4- Wire Installation.

3. Snap the CT onto the conductor.
Connect CTs to the correspondingly colored voltage leads. If the application can exceed 20 times the rated CT current, use wire ties to secure the I-bar to the CT housing.
This CT automatically detects phase reversal, so CT load orientation is not important.

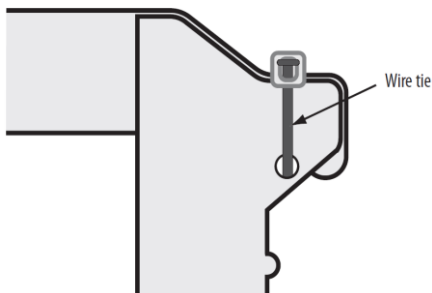


Figure 2.47 - Use wire ties to secure the I-bar to the CT housing.

4. Connect the shielded twisted pair Modbus cable to the Modbus (RS-485) terminal as shown in Figure 2.44. Only add a 120 ohm termination resistor if the RGM is the last Modbus device in the Modbus daisy chain.
Do not connect the cable shield to the RGM.
5. Enable power for the RGM and the SolrenView Logger will automatically discover the RGM when it is turned on.

2.4.6 Dry Contact Communication

The inverter features an alarm function that opens or closes a dry contact on the communication board. (available both as contact normally open – N.O. – and as contact normally closed – N.C.), as shown below:

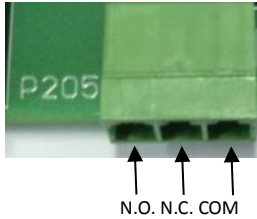


Figure 2.47 - Dry Contact Communication Port

The voltage and current rating of the dry contact shown in the following table must not be exceeded under any circumstances.

Table 2.11 - Dry Contact Rating

	Voltage	Current
AC	Maximum 277 V	Maximum 3 A
DC	Maximum 30 V	Maximum 1 A

Different modes of dry contact output can be accessed by connecting different pins of the P205 connector, as shown in following table.

Table 2.12 - Dry Contact Working Modes

Dry contact communication port	Status in fault condition	Status without fault condition
P205: N.O. — COM	Closed	Open
P205: N.C. — COM	Open	Closed

Connection Plan:

You can connect a LED or other loads to indicate the operational status of the inverter, as shown in the following figure:

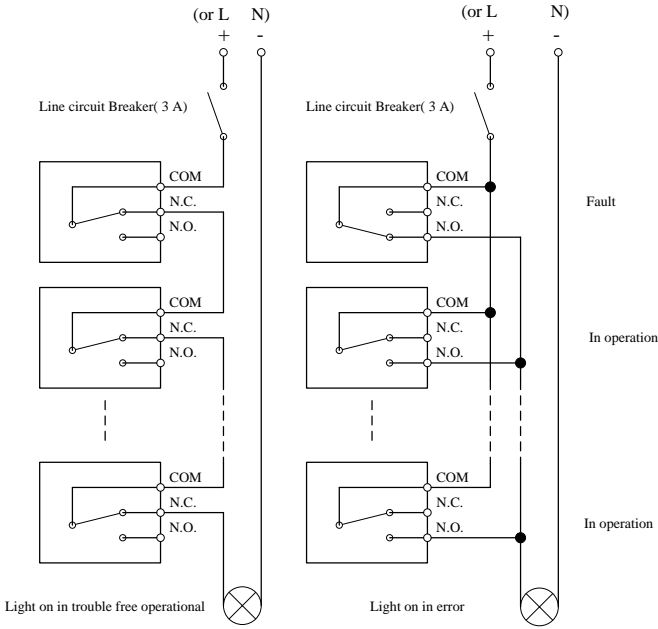


Figure 2.48 - Dry Contact Communication Schematic Diagram

If you connect the contact port to the power distribution grid, you must install an individual miniature circuit-breaker between the dry contact and the power distribution grid.

Dry Contact Communication Cable Connection:

Warning: If the unit is running, turn off both disconnects and wait 5 minutes before performing any work.

- a.) Remove the plugs from holes for suitable cable conduits of 3/4 inch.
- b.) Put the dry contact communication cable through the cable conduit and inside the wiring box.
- c.) Use double-layer insulated cables. Strip the cables according to the following requirements.

Tool: Wire stripping pliers

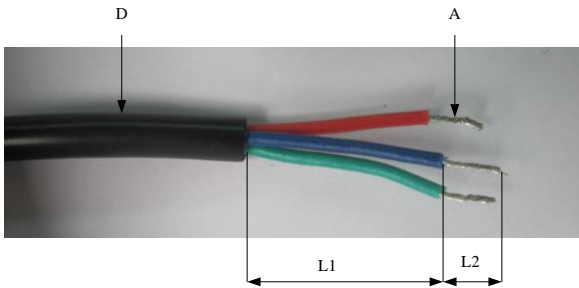


Figure 2.49 - Wire Stripping

Table 2.13 Cable Set-Up

Position	Description	Value
	Cable type	Double-layer insulated cable
D	Outer diameter	4.5 mm~ 6 mm
A	Cross-section area of conductor	0.2 mm ² ~ 0.75 mm ²
L1	Length of stripped outer wire skin	Maximum 15mm
L2	Length of stripped inner wire skin	Maximum 7 mm

- d.) Connect wires to the terminal.
Tool: 2 or 2.5mm flat screwdriver



No.	Cable Color	Function
1	Red	N.O.
2	Blue	N.C.
3	Green	COM

Figure 2.50 - Wire Connection

e.) Plug the cable terminal into the P205 connector.

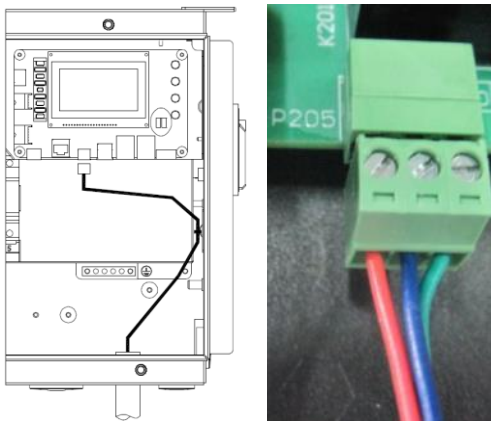


Figure 2.51 - Dry Contact Communication Cable Connection

3.0: Commissioning



WARNING:

Please follow the guidelines below before on-grid operation to eliminate possible dangers and to ensure safety.

3.1 Commissioning Checklist

3.1.1 Mechanical Installation

Make sure that the mounting bracket is secure and all the screws have been tightened to the specified torque values.

(Please refer to 2.2 Mechanical Installation)

3.1.2 Cable Connections

- (a) Make sure that all cables are connected to the right terminals.
- (b) The appropriate cable management is important to avoid physical damage.
- (c) The polarity of DC input cables should be correct and the DC Switch should be in "OFF" position.

(Please refer to 2.3 Electrical Installation)

3.1.3 Electrical Check

- (a) Make sure that the AC circuit breaker is appropriately sized.
- (b) Test whether the AC voltage is within the normal operating range.
- (c) Make sure the DC open circuit voltage of input strings is less than 1000V.

3.2 Commissioning Steps

Complete the checklist above before commissioning the inverter as follows:

- a) Turn on the AC circuit breaker.
- b) Turn on the DC circuit breaker.
(Skip this step if there is no circuit breaker.)
- c) Switch the DC Switch to the "ON" position. When the energy supplied by the PV array is sufficient, the LCD of inverter will light up. The inverter will then start up with the message "sys checking".
- d) Set up the grid standard:



INSTRUCTION:

Please check with your local electricity provider before selecting the grid standard. If the inverter is operated with a wrong grid standard, the electricity provider may cancel interconnection agreement.

Putting the inverter into operation before the overall system complies with the national rules and safety regulation of the application is not permitted.

- (e) When the inverter completes “sys checking”, the LCD shows the screen as Figure 3.1 below. Press ENTER to the standard selection interface, as shown in Figure 3.2.
- (f) Select the corresponding grid standard and press ENTER.
 - a. Press ENT to go to main menu. Press **DOWN** and **ENT** at the same time in the main interface.
 - b. Enter the password (UP -> DOWN -> UP -> DOWN) to access the system protection parameters setup menu. This menu includes 6 submenus: “1 SysPara”, “2 Restart”, “3 Recover”, “4 ClrErrRecd” and “5 InternConn”, as shown in Figure 1.
 - c. Select the menu “5 InternConn”. This menu includes 4 grid codes: “1 IEEE1547”, “2 Rule-21”, “3 Heco-OHM”, “4 Heco-ML”.

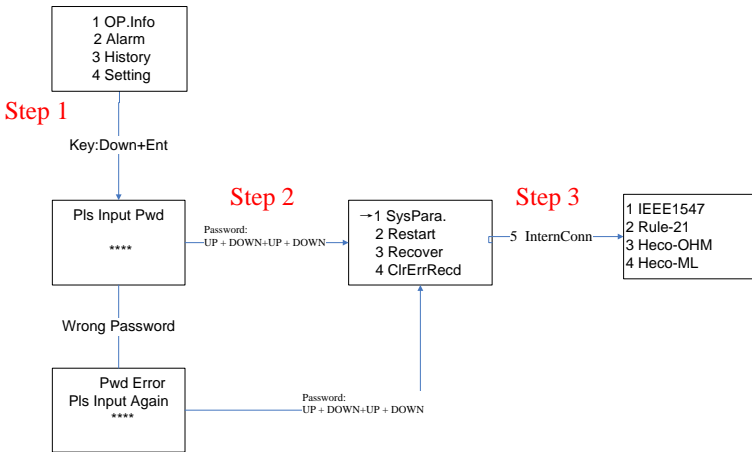


Figure 3.1 - Set Up Grid Standard

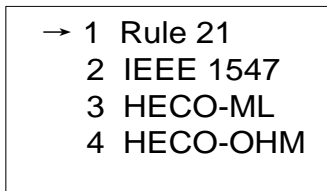


Figure 3.2 - Select Grid Standard; ML-Molokai/Lanai; OHM- O`ahu, Maui, and Hawai`i

- (g) When the LCD shows the normal operation status (Figure 3.3) and the “RUN” light on the LED panel lights up, it indicates that the grid connection and power generation are successful.

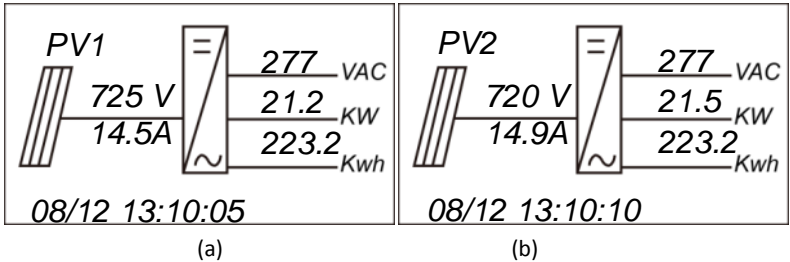


Figure 3.3 - Normal Operation Status

- (h) If the inverter fails to operate normally, the “FAULT” LED will illuminate and the error message will be displayed on the LCD.
(Please refer to 7.1.2 Troubleshoot LCD faults)
- (i) Set up system time and language
Set up the system time and language according to “4.4.4 System Configuration”.
- (j) To check the real time operation information, you can refer to “4.4.1 Operation information”.

4.0: User Interface

4.1 Description of LCD

The inverter’s LCD mainly consists of LCD, LED indicator lights, buzzer and 4 keys, as shown in Figure 4.1.

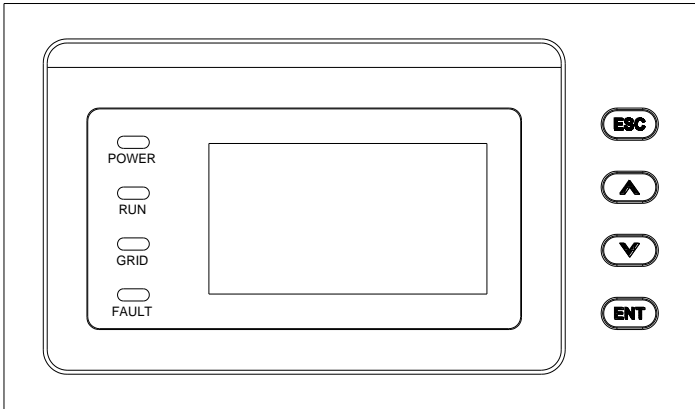


Figure 4.1 - LCD





Interpretation for the indicator lights is shown in Table 5-1 and function of the keys is shown in Table 4.2.

Table 4.1 - LED Indication

LED Indicator	Name	Status	Indication
POWER	Working power light	Light on	Energized (control panel starts to work)
		Light off	Power supply not working
RUN	Grid-tied operation indication light	Light on	In grid-tied power generation state
		Flash	Derated running status (light on 0.5s, light off 1.6s)
		Light off	In other operation status or power supply not working
GRID	Grid status indication light	Light on	Grid is normal
		Flash	Grid fault (light on 0.5s, light off 1.6s)
		Light	Power supply not working

		off	
FAULT	Fault status indication light	Light on	Indicates a Fault
		Slow flash	Indicates Alarm (light on 0.5s, light off 2s)
		Fast flash	Protective action (light on 0.5s, light off 0.5s)
		Light off	No fault or power supply not working

Table 4.2 - Definition of the Keys

Key	Description	Definition of function
	Escape key	Back/end/mute
	Enter key	Confirm entering the menu/confirm set value/Switch to parameter setting mode
	Up	Page up in selection menu/+1 when setting parameters
	Down	Page down in selection menu/-1 when setting parameters

4.2 Operation State

Table 4.1 indicates the definitions of LED, i.e. indicates the information of the inverter’s operation state. It indicates that the system is energized and under DSP control when “POWER” lights up.

“RUN” will light up when the inverter detects that the grid connection conditions meet the requirements and power is fed into the grid. “RUN” will blink if the grid is in de-rated running state during the period of feeding power into the grid.

“GRID” will light up when the grid is normal during the operation of the inverter. Otherwise, “GRID” will blink until the grid restores to normal.

“FAULT” will blink quickly as a fault (except grid fault) occurs. “FAULT” will not turn off until the fault is eliminated. The light will blink slowly when an alarm occurs. “FAULT” remains illuminated when an internal fault occurs.

The buzzer will give an alarm if a fault (involving power grid fault) occurs.

4.3 Interface Types

Users can perform the corresponding operations with the 4 function keys according to the indications of the LCD.

(1) The LCD interface starts with the company logo once the system is energized, as shown in Figure 4.2.



Figure 4.2 - Logo Screen

(2) Indication of inverter operation mode:

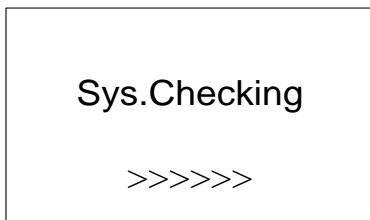


Figure 4.3 - Inverter System Check Ongoing

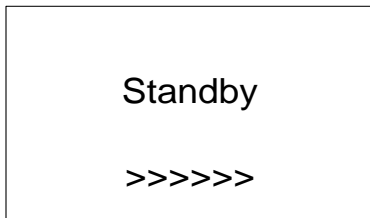


Figure 4.4 - Inverter System in Standby Mode

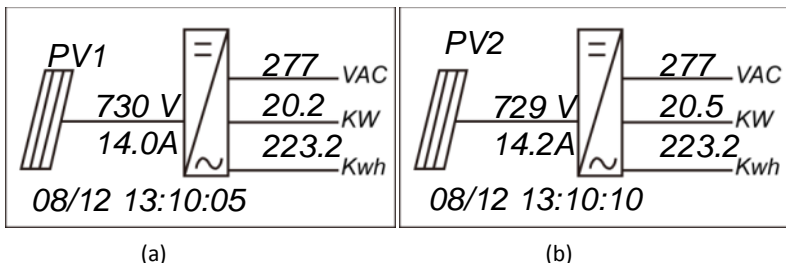


Figure 4.5 - Default Display Interface for Normal Operation



Figure 4.6 - Fault Indication Interface

LCD will display different mode interfaces based on the operation modes of the inverter. There are four operation modes: **startup** system check mode (as shown in Figure 4.3), **stand-by** mode (as shown in Figure 4.4), **normal operation** mode (as shown in Figure 4.5, the switching time between (a) and (b) is 5 seconds), and **fault** mode (as shown in Figure 4.6).

The default indication interface mainly indicates PV voltage, PV current, grid voltage, instant power, daily generated power and time information under normal operation.

The fault information of the most recent / current fault will be indicated on the LCD when the inverter is in fault mode.

4.4 Menu functions

LCD displays “default indication interface” when the inverter is in operation mode. Press **ESC** in this interface to escape the default interface and enter the main operation interface. The main operation interface is shown in Figure 4.7.

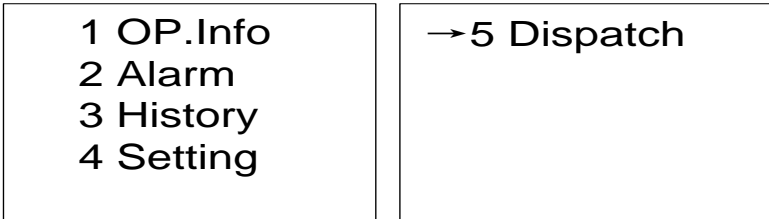


Figure 4.7 - Main Menu on the LCD

The users may select options with **UP** and **DOWN**, and then press **ENT** to confirm selection. The users can return to the default indication interface by pressing **ESC**.

4.4.1 Operation information

When the cursor moves to “1 OP. Info” in the main screen, you should press **ENT** to select the operation information as shown in Figure 4.8. Check the information by pressing **UP** and **DOWN**. Return to the previous menu by pressing **ESC**.

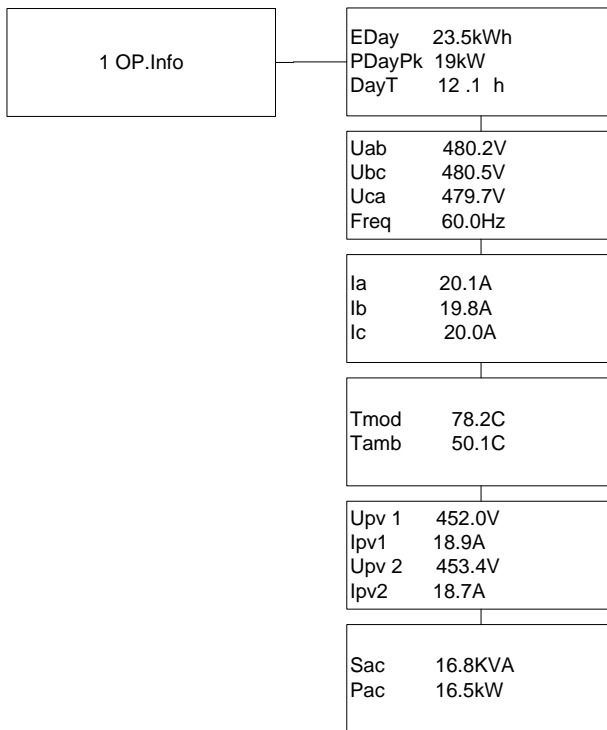


Figure 4.8 - Operation information indication (PV independent mode)

Remarks : The LCD is shown with PV parallel mode selected.

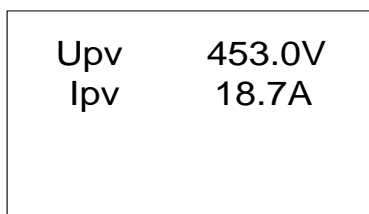


Figure 4.9 - Operation Information Indication (PV Parallel Mode)

4.4.2 Alarm

As previously noted, if a fault occurs during normal operation of the inverter, corresponding fault messages will be indicated in “2 Alarm” menu in addition to the sound and light alarms. Move the cursor to “2 Alarm” and press **ENT** to check out the specific fault information, as shown in Figure 4.10.

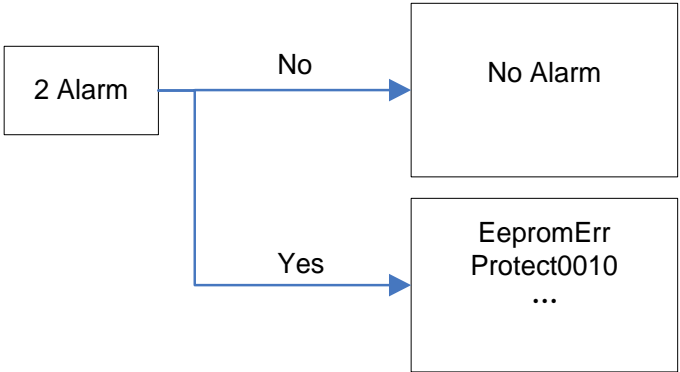


Figure 4.10 - Alarm / Failure Information

4.4.3 History

Move the cursor to “3 History” in the main interface. Press **ENT** to check the history information, as shown in Figure 4.11. There are 4 submenus in “3 History”: “1 HistErr”, “2 OP. Recd”, “3 Version” and “4 TotalTag”.

(1) The error log can store up 100 fault messages in “1 HistErr” menu.

(2) The last 21 days of operation history data is available to be checked in “2 OP. Recd” menu. All variable names in the data comply with the content in “1 OP. Info” menu of the main interface. The users can select the “2 OP. Recd” menu and review the last 21 days of operation.

(3) The DSP version, LCD version and serial number of the product are listed in “3 Version” menu.

(4) Cumulative generated power from the first day the inverter began working is available to be checked in “4 TotalTag” menu.

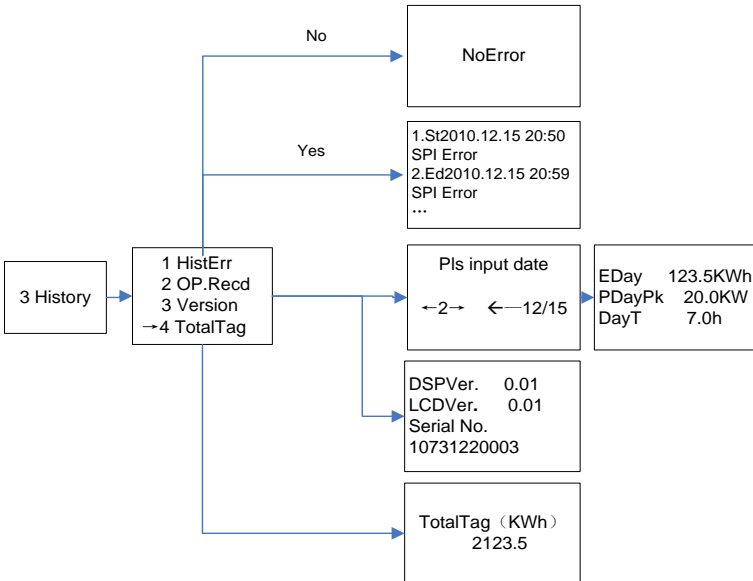


Figure 4.11 - History Menu and Submenu

4.4.4 System Configuration

Move the cursor to “4 Setting” in the main interface. Press **ENT** to enter the password: **UP** -> **DOWN** -> **UP** -> **DOWN**. Press **ENT** to confirm, and set the current system parameters, as shown in Figure 5-12. There are 7 submenus in “4 Setting”: “1 ON/OFF”, “2 Language”, “3 Buzzer”, “4 SysTime”, “5 Commun.”, “6 OtherCmd” and “7 NetConfig”.

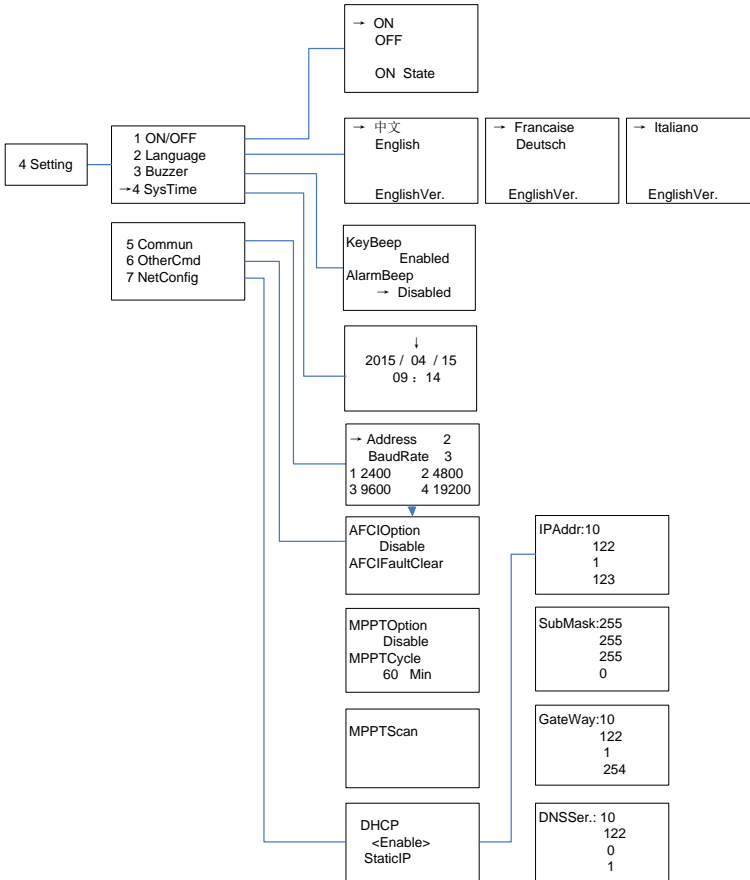


Figure 4.12 - System Setup Menu and Submenu

(1) The inverter can be started and shut down with “1 ON/OFF” menu. Move the cursor to “ON” and press **ENT**, “ON State” will then be indicated at the bottom of LCD; move the cursor to “OFF” and press **ENT**, then “OFF State” will be indicated as well.

The inverter will stand by instead of working normally if the startup conditions do not meet the needed values even if "ON" is selected. The inverter will shut down immediately if "OFF" is selected in any case.

(2) Five languages, i.e. English, French, Chinese, German, and Italian are available in "2 Language" menu.

(3) Key beep and Alarm beep can be set mute/unmute in "3 Buzzer" menu. "Key beep" and "Alarm beep" can be chosen by pressing **UP** and **DOWN**. Shift between "Enable" and "Disable" by pressing **UP** and **DOWN** if the cursor is on the "Key beep". Complete the setup by pressing **ENT**. Similarly, the Alarm beep can be set up in the same way.

(4) Set up the system date and time with "4 SysTime" menu (These parameters are of critical importance and will be used in history information).

(5) Set the 485 communication parameters with "5 Commun." menu.

(6) There are 5 submenus in the "6 other Cmd" menu:

1. Arcing check and protection is mainly divided into two parts, the Arcing check board is responsible for whether there is Arcing in line, and transfer Arcing protection signal to the DSP in the control board. The control board (DSP) is responsible for the control of inverter off the grid after receiving Arcing signal to ensure safety. The Arcing board failure will cause 'arc board err' shown on the LCD and it will not connect to the grid until the arc board is OK. If there is Arc-fault, the LCDs the fault which can only be cleared manually.

"ARCOption" is used to enable/disable the ARC function. Press **ENT** and use **UP** and **DOWN** to enable/disable the ARC function, and press **ENT** to confirm the setting.

2. "ARCFaultClear" is used to clear the Arc-fault. Move the cursor to this menu, and press **ENT**. The operation result will appear on the LCD, i.e. "Succeed" or "Failed".

3. MPPT scan function is effective if :

1) In parallel mode, the total input power is lower than 90% of the active power in parallel mode.

2) In Independent mode, each input power is lower than 75% of the rating power of each MPPT tracker.

Once this MPPT scan function is set on LCD, it will search the maximum power point at a voltage step of 5V in the MPPT range for full load, and get the maximum power point.

"MPPTOption" is used to enable the MPPT Scan. Move the cursor to this item, press **ENT** to set up the function. Use **UP** and **DOWN** to enable/disable the "MPPTOption" function. Press **ENT** to confirm the setting.

4. "MPPTCycle" is used to set up the cycle time of MPPT Scan. Move the cursor to this item, press **ENT** to set up the cycle time. Use **UP** and **DOWN** to adjust the MPPT cycle time. Press **ENT** to confirm the setting.

5. "MPPTScan" is to execute the MPPT scanning manually. Move the cursor to this item, and press **ENT** to initiate the scanning. The LCD will skip to normal operation

interface if the MPPT scanning succeeds, or remain on the “MPPTScan menu” interface if the scanning fails.

(7) Configure the network address in the “7 NetConfig” menu.

Move the cursor to the menu, press ENT and set up the parameters by **UP** and **DOWN**. Note if you have a daisy chain you cannot have two devices (inverters or other Modbus devices) with the same network ID.



INSTRUCTION:

Move the cursor to the corresponding menu to set up the parameters, and the number will flash after pressing ENT. Use **UP** and **DOWN** to adjust the parameters.

4.4.5 Power dispatch

Move the cursor to “5 Dispatch” in the main interface and press **ENT** to go to the following interface (Figure 4.13):

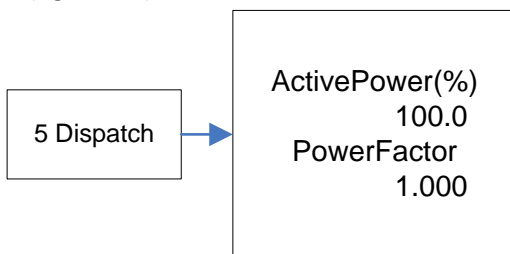


Figure 4.13 Active Power and PowerFactor

Remote power dispatch: The “ActivePower” and “PowerFactor” can be adjusted remotely by software.

4.4.6 System Protection Parameters Setup

Press **DOWN** and **ENT** at the same time in the main interface and enter the password (UP -> DOWN -> UP -> DOWN) to access the system protection parameters setup menu. This menu includes 6 submenus: “1 SysPara”, “2 Restart”, “3 Recover”, “4 ClrErrRecd” and “5 Stdset”, as shown in Figure 4.14.

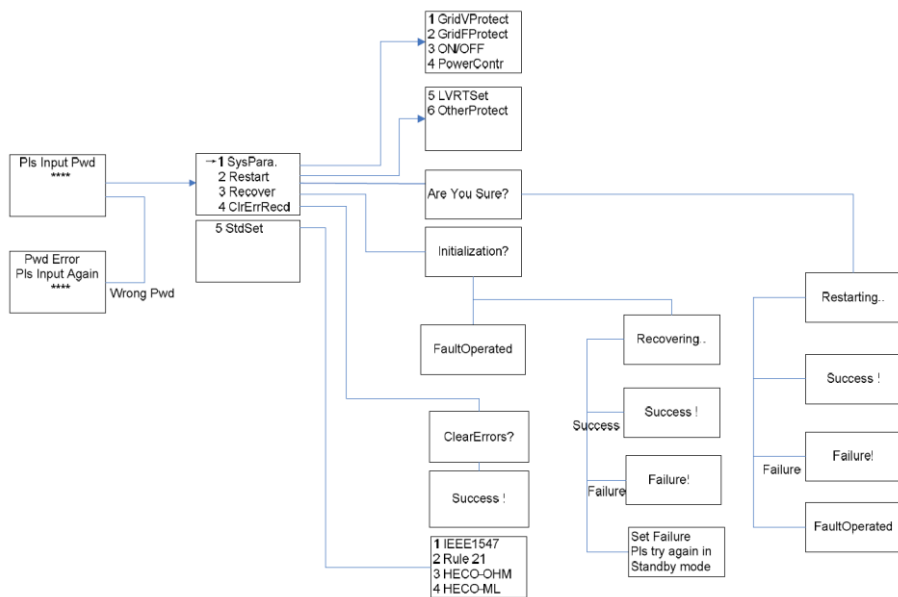


Figure 4.14 - System Protection Parameter Configuration

(1) The system protection parameters of each grid standard can be set up in “1 SysPara” menu. Please refer to Section 4.4.7.

(2) “2 Restart” menu: If a fault shutdown arises, a severe fault may have occurred inside the inverter. The user can perform a force reboot for one time in this menu if the user needs to restart the inverter.



INSTRUCTION:

This function is effective only when the fault “IntFault0010~0150” in the troubleshooting table occurs. The inverter may restore to normal operation automatically if alarm or protection faults occur. This function will not respond when the inverter is in operation mode and a “FaultOperated” alarm interface will be indicated.

(3) “3 Recover” menu: The manufacturer’s parameter default value can be restored when the inverter is not in operation mode. Otherwise “Fault Operated” will be reminded.

(4) “4 ClrErrRecd” menu: History information of the failures can be wiped clear after confirmation

(5) “5 Stdset” menu: The grid standard can only be changed when the inverter is turned off by LCD shut down. The change is ineffective under normal operation mode. Please refer

to “5.2 Shut down” after the inverter stops working, and choose the grid standard as per the local requirement of the electricity supply company.



NOTICE:

Please don't change the grid standard when the inverter is in normal operation mode, or the change is invalid. Please refer to the “[5.2 Manual Shutdown](#)” to turn off the inverter.



INSTRUCTION:

PVI 36TL PV inverter supports 4 grid standards. Please check with your local electricity supply company before selecting the grid standard. If the inverter is operated with a wrong grid standard, the electricity supply company may cancel the interconnection agreement.

Putting the inverter into operation before the overall system complies with the national rules and safety regulations of the application is not permitted.

4.4.7 System control parameters

The “[1 SysPara](#)” menu has 6 submenus, including “[1 GridVProtect](#)”, “[2 GridFProtect](#)”, “[3 ON/OFF](#)”, “[4 PowerContr](#)”, “[5 LVRTSet](#)” and “[6 OtherProtect](#)”.

(1) “[1 GridVProtect](#)” and “[2 GridFProtect](#)” menus: Set up the parameters of grid voltage, frequency protection and recovery, etc, as shown in Table 4.3:

Table 4.3 - Parameters of Grid Voltage and Frequency (IEEE-1547)

Parameter name	Description	Setup range (lower limit, default & upper limit)
GridV.Max1(V)	Threshold value of Level 1 Max. grid voltage	{200.0, 528.0, 552.0}
VMaxTripT1(S)	Threshold value of Level 1 Max. grid trip voltage	{0, 1.00, 600.00}
GridV.Min1(V)	Threshold value of Level 1 Min. grid voltage	{0, 422.4, 480.0}
VMinTripT1(S)	Threshold value of Level 1 Min. grid trip voltage	{0, 2.00, 600.00}
GridV.Max2(V)	Threshold value of Level 2 Max. grid voltage	{200.0, 576.0, 624.0}
VMaxTripT2(S)	Threshold value of Level 2 Max. grid trip voltage	{0, 0.16, 600.00}
GridV.Min2(V)	Threshold value of Level 2 Min. grid voltage	{0, 240.0, 480.0}
VMinTripT2(S)	Threshold value of Level 2 Min. grid trip voltage	{0, 0.16, 600.00}

GridVmaxRecT(V)	Recovery threshold value of Max. grid voltage	{200.0, 518.0, 533.0}
GridVminRecT(V)	Recovery threshold value of Min. grid voltage	{0, 432.4, 480.0}
GridVRecT(S)	Recovery time of grid voltage protection	{0, 300.00, 600.00}
GridF.Max1(Hz)	Protection threshold value of Level 1 Max. grid frequency	{50.00, 60.50, 66.00}
FmaxTripT1(S)	Trip time of Level 1 Max. grid frequency	{0, 0.16, 600.00}
GridF.Min1(Hz)	Protection threshold value of Level 1 Min. grid frequency	{45.00, 59.30, 60.00}
FminTripT1(S)	Trip time of Level 1 Min. grid frequency	{0, 0.16, 600.00}
GridF.Max2(Hz)	Protection threshold value of Level 2 Max. grid frequency	{50.00, 61.00, 66.00}
FmaxTripT2(S)	Trip time of Level 2 Max. grid frequency	{0, 0.05, 600.00}
GridF.Min2(Hz)	Protection threshold value of Level 2 Min. grid frequency	{45.00, 57.00, 60.00}
FminTripT2(S)	Trip time of Level 2 Min. grid frequency	{0, 0.16, 600.00}
GridFmaxRecT(Hz)	Recovery threshold value of Max. grid frequency	{49.00, 60.40, 66.00}
GridFminRecT(Hz)	Recovery threshold value of Min. grid frequency	{45.00, 59.40, 60.00}
GridFRecT(S)	Recovery time of grid frequency protection	{0, 300.00, 600.00}
GridV.Unbal(%)	Threshold value of grid voltage unbalance	{0.1, 2.6, 10.0}

(2) "3 ON/OFF" menu: Set up the start-up and shut-down control parameters.

Table 4.4 - Start-Up and Turn-Off Control Parameters

Parameter name	Description	Setup range (lower limit, default & upper limit)
PVStartVol(V)	PV start-up voltage	{300.0, 330.0, 400.0}
SoftStep(KW/S)	Soft step	{0.01,1.44,2.88}

SoftOffOption	Soft turn off option	{Disable, Disable, Enable}
OffPStep(KW/S)	Turn off power step	{0.01, 2.16,2.88}
IsoResis(KOhm)	Isolation resistance	{10.0, 250.0 1000.0}
GridReStep(KW/S)	Grid fault recovery step	{0.01, 0.05, 2.88}

(3) "4 PowerContr" menu: relative functions of active, reactive power control and over-frequency derating, including "ActiveContr(%)", "RePowerContr" and "FreqDeratCtrl" menus.

1. "ActiveContr(%)" menu: adjust the active power of AC output, the range is 0~100.0%.
2. "RePowerContr" menu: set up the reactive power control mode, including 6 submenus: "1. None", "2. Dispatch", "3. Q Set", "4. PF Set", "5. PF(P) Set" and "6. Q(U) Set".

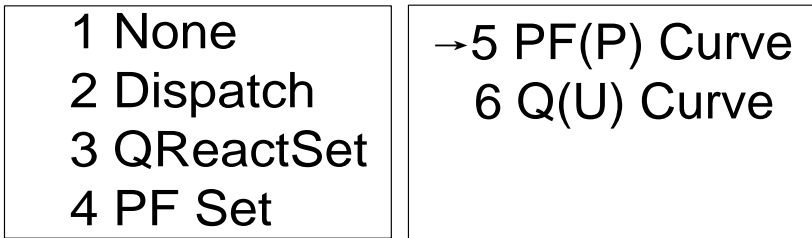


Figure 4.15 - Reactive Power Mode

- 1). None : No mode/disable reactive power mode
- 2). Dispatch : Remote power dispatch mode

Note: The ActivePower, PF and Q value can be adjusted by remote software if the "Dispatch" is selected.

3). QReactSet : Set the Q value

Note: Change the reactive power by adjusting the Q value (reactive compensation)

4). PF Set : Set the PF value

Note: Change the reactive power by adjusting the PowerFactor

5). PF(P) Curve : PF curve mode

Note: The power factor changes according to the power change, as shown in Figure 4.16:



INSTRUCTION:

The PF (P) Curve function is only available for VDE-4105, CEI 0-21 and IEEE-1547 grid standards.

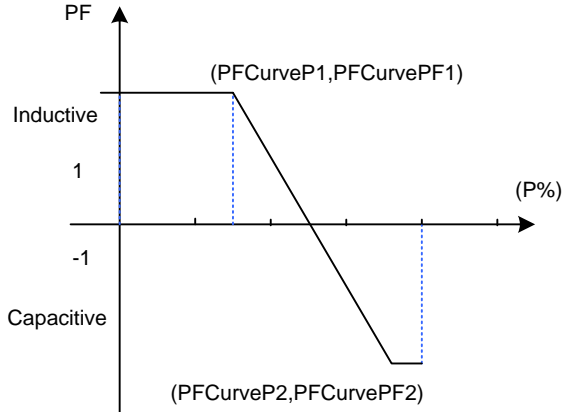


Figure 4.16 - PF(P) Curve Mode

6). Q(U) Curve : Q(U) curve mode

Note: The reactive compensation changes according to the grid voltage change, as shown in Figure 4.17.



INSTRUCTION:

The Q(U) curve function is only available for CEI 0-21 and IEEE-1547 grid standards.

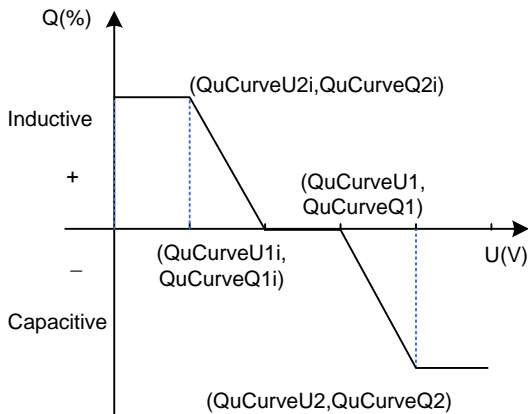


Figure 4.17 - Q(U) Curve Mode

The Table 5-5 lists the parameters of QReactSet, PF Set, PF(P) Curve and Q(U) Curve modes. Press **ENT** to start up the modes after the parameters are set up.

Table 4.5 - Parameters of Reactive Power Control (IEEE-1547)

Mode	Parameter Name	Setup range (lower limit, default & upper limit)	Description
Q	ReactiveComp(%)	(-60.0%, 0.0%, 60.0%)	
PF	PowerFactor	(-0.80, 1.000, 0.80)	
PF(P)	PFCurveP1(%)	(0, 50.0%, 100.0%)	See Figure 5-17
	PFCurvePF1	(-0.800, 1.000, 0.800)	See Figure 5-17
	PFCurveP2(%)	(0, 100.0%, 100.0%)	See Figure 5-17
	PFCurvePF2	(-0.800, -0.900, 0.800)	See Figure 5-17
	PFCurvTripV(V)	(480.0, 480.0, 528.0)	PF curve trip voltage
	PFCurveReV(V)	(422.4, 432.0, 480.0)	PF curve revocation voltage
Q(U)	QuCurveU1(V)	(480.0, 518.4, 528.0)	See Figure 5-18
	QuCurveQ1(%)	(-100.0%, 0.0%, 100.0%)	See Figure 5-18
	QuCurveU2(V)	(480.0, 528.0, 528.0)	See Figure 5-18

QuCurveQ2(%)	(-100.0%, -50.0%, 100.0%)	See Figure 5-18
QuCurveU1i(V)	(422.4, 441.6, 480.0)	See Figure 5-18
QuCurveQ1i(%)	(-100.0%, 0.0%, 100.0%)	See Figure 5-18
QuCurveU2i(V)	(422.4, 432.0, 480.0)	See Figure 5-18
QuCurveQ2i(%)	(-100.0%, 50.0%, 100.0%)	See Figure 5-18
QuCurvTripP(%)	(5.0%, 20.0%, 100.0%)	Qu curve trip power
QuCurveReP(%)	(5.0%, 5.0%, 100.0%)	Qu curve revocation power

3. “FreqDeratCtrl” menu: Set up the parameters of over-frequency active power derating.



INSTRUCTION:

The “FreqDeratCtrl” function is not available for the IEEE-1547 grid standard.

(4) “6 OtherProtect” menu: set up the threshold value of leakage current and output DC component protection:

Table 4.6 - Protection Parameters of Leakage Current and Output DC Component

Parameter name	Description	Setup range (lower limit, default & upper limit)
LeakCurMax(mA)	Leakage current Max. limit	{300, 300, 500}*
IdcMax(mA)	DC component current Max. limit	{216, 216, 500}*

* UL 1741 ground fault requirements

4.4.8 Arc Fault Current Interruption

PVI 36TL is embedded with Type 1 DC arcing fault current detection device which stops the inverter from working when arcing fault current is detected on the DC side and shows "ARC Protect" on the LCD. This fault can only be cleared by manual operation.



Figure 4.18 - ARC Protect Fault

In the "System Setting" → "OtherCmd" menu, execute the "AFCI Test", the inverter will stop working and test AFCI. When the test is over, "TestFinish" will be displayed on the LCD if no fault is detected or "AFCI Fault" will be shown if a fault occurs, as shown in Figure 4.20.

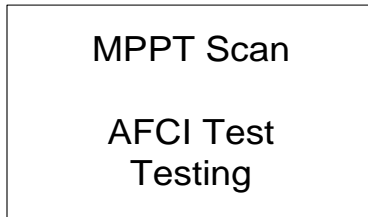


Figure 4.19 - AFCI Test

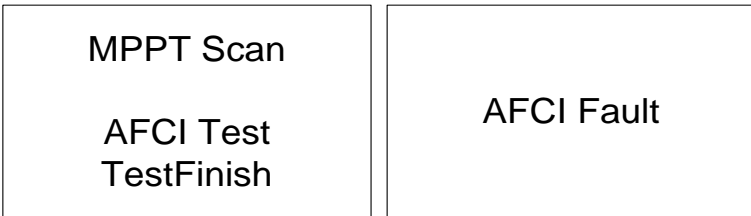


Figure 4.20 - AFCI Test Result

In the "System Setting" → "OtherCmd" menu, execute "ARCFaultClear" command to clear "ARC Protect" fault alarm, and LCD will show "Succeed" if the fault is successfully cleared, as shown in Figure 4.21.

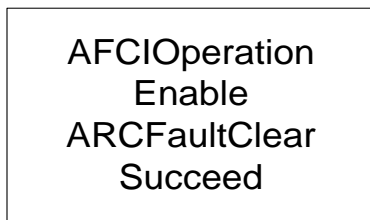


Figure 4.21 - Manually Clear "ARC Protect" Fault

5.0: Operation

5.1 Start-up

Manual Start-up: Manual start-up is required after regulation setting or manual (fault) shut-down. Move the cursor from the main operation interface to “4 Setting”. Press **ENT** and go to submenu “1 ON/OFF”. Then move the cursor to “ON” and press **ENT** to start the inverter. Then the inverter will start up and operate normally if the start-up conditions are met. Otherwise, the inverter will go to stand-by mode.

Automatic Start-up: The inverter will start up automatically when the output voltage and power of PV arrays meet the set values, AC power grid is normal, and the ambient temperature is within allowable operating range.

5.2 Shutdown

Manual Shutdown: Normally, it is not necessary to shut down the inverter, but it can be shut down manually if regulation setting or maintenance is required.

Move the cursor from the main operation interface to “4 Setting”. Press **ENT** and go to submenu “1 ON/OFF”. Move the cursor to “OFF” and press **ENT**, and then the inverter will be shut down.

Automatic Shutdown: The inverter will be shut down automatically when the output voltage and power of PV modules are lower than the set values, or AC power grid fails; or the ambient temperature exceeds the normal range.

5.3 Operation Mode

There are 4 operation modes. The following are corresponding indications for each mode.

- (1) System check mode for startup, as shown in Figure 5.1:

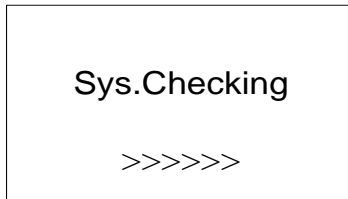


Figure 5.1 - System Self-Check Ongoing

This mode indicates that the inverter is checking whether it is ready for normal operation after the manual start-up of inverter.

- (2) Normal operation mode: Default indication interface for normal operation is shown in Figure 5.2 (a) and 5.2 (b). The switching time between (a) and (b) is 5 seconds.

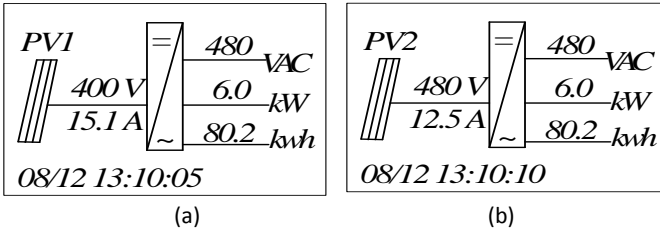


Figure 5.2 - Default Indication Interface for Normal Operation

In this mode, the inverter converts the power generated by PV modules to AC continuously and feeds into the power grid.

(3) Standby mode, as shown in Figure 6-3:

The inverter will enter standby mode when the output voltage and power of PV modules do not meet the startup conditions or PV voltage and input power are lower than the set values. The inverter will check automatically whether it meets the startup conditions in this mode until it turns back to normal mode. The inverter will switch from standby mode to fault mode if a malfunction occurs.

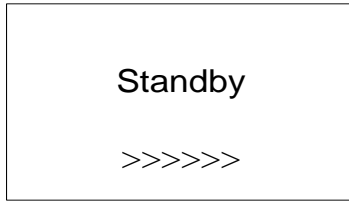


Figure 5.3 - Inverter System in Standby Mode

(4) Fault mode, as shown in Figure5.-4:

The inverter will disconnect from the power grid and turn into fault mode when the inverter or power grid fails. Check the specific cause in "Troubleshooting table" (Table 6.2) according to the fault message displayed on the LCD and eliminate the fault referring to the instructions.

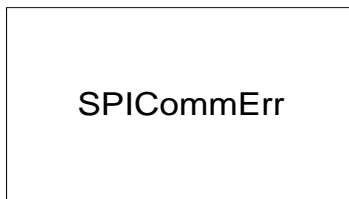


Figure 5.4 - Fault Indication Interface



WARNING:

All the installation and wiring connections should be performed by qualified technical personnel. Disconnect the inverter from PV modules and the AC supply before undertaking maintenance.

Do not operate or maintain the inverter until at least 5 minutes after disconnecting all sources of DC and AC.

5.4 Grid-Tied Power Generation

PVI 36TL series inverter has an automatic grid-tied power generation process. It will check whether AC power grid meets the conditions for grid-tied power generation constantly, and test whether the PV array has enough adequate energy. After all conditions are met, the inverter will enter grid-tied power generation mode. While in the grid-tied power generation, the inverter can detect the power grid at all times, and also keep the photovoltaic array output in maximum power point tracking (MPPT) mode. In case of any abnormality, the inverter will enter the protection program immediately. In low light conditions when power generation is not enough to keep the inverter in operation, the inverter will enter standby mode. When the voltage of PV array changes and becomes stable and higher than the required set value, the inverter will attempt to start grid-tied power generation again.

6.0: Maintenance and De-Installation

6.1 Fault Shutdown and Troubleshooting

6.1.1 LED Fault and Troubleshooting

When contacting Solectria for support please provide the serial number of the inverter, and the fault message. If the fault is regarding any voltage issue please also measure the AC and DC voltage at the inverter prior to calling.

Please refer to the definition of LED lights in Table 4.1 and troubleshoot according to Table 6.1:

Table 6.1 - Troubleshooting of LED Lights

LED fault status	Solutions
Neither the “ <u>Power</u> ” LED nor the LCD lights up.	<ol style="list-style-type: none"> 1. Turn off the external AC breaker 2. Switch the DC switch to “OFF” position 3. Check the PV input voltage and polarity
The “ <u>GRID</u> ” LED is blinking.	<ol style="list-style-type: none"> 1. Turn off the external AC breaker 2. Switch the DC switch to “OFF” position 3. Check whether the grid voltage is normal and whether the cable connection of AC side is correct and secure
The “ <u>RUN</u> ” LED lights off or “ <u>FAULT</u> ” LED lights up.	Refer to Table 7-2 for troubleshooting

6.1.2 LCD fault and troubleshooting

The inverter will be shut down automatically if the PV power generation system fails, such as output short circuit, grid overvoltage / under voltage, grid over frequency / under frequency, high environmental temperature or internal malfunction of the machine. The fault information will be displayed on the LCD. Please refer to “4.4.2 Present Fault” for detailed operation.

The causes of a fault can be identified based on the faults listed in Table 6.2. Proper analysis is recommended before contacting after-sales service. There are 3 types of fault: alarm, protection and hardware fault.

Table 6.2 - LCD Troubleshooting Table

Alarm	1.TempSensorErr	Definition: Prompt detection of abnormal temperature
		Possible causes: 1.Temperature sensor is reading -25C 2.Temperature Sensor socket connector has poor contact; 2.Temperature Sensor is damaged;
		Recommended solutions: 1.Observe temperature display; 2.Switch off 3-phase working power supply and then reboot the system; 3.Contact after-sales service personnel, inverter may need replacement.
	2.CommErr	Definition: Communication inside inverter fails
		Possible causes: Terminal block connectors of internal communication wires have poor contact
		Recommended solutions: 1.Observe for 5 minutes and see whether the alarm will be eliminated automatically; 2.Switch off 3-phase working power supply and then reboot the system; 3.Contact after-sales service personnel
	3.ExtFanErr	Definition: Cooling fan failure, fan operates based on load and temperature with variable speed control
		Possible causes: 1.Fan is blocked; 2.Fan service life has expired; 3. Fan socket connector has poor contact.
		Recommended solutions: 1.Observe for 5 minutes and see whether the alarm will be eliminated automatically; 2.Check for foreign objects on fan blades; 3.Switch off 3-phase work power supply and then reboot the system;

		4.Contact after-sales service personnel
	4.EepromErr	Definition: Internal alarm
		Possible causes: Internal memory has a problem
		Recommended solutions: 1.Observe for 5 minutes and see whether the alarm will be eliminated automatically; 2. The inverter is still producing power normally 3.Contact after-sales service personnel
Protection	1.TempOver	Definition: Ambient or internal temperature is too high >70C
		Possible causes: 1.Ambient temperature outside the inverter is too high, very temperature is not over 70C; 2. Fan is blocked; 3. Convection airflow is insufficient due to improper installation.
		Recommended solutions: 1.Confirm that external ambient temperature is within the specified range of operating temperature; 2.Check whether air inlet is blocked; 3.Check whether fan is blocked; 4.Check whether the location of installation is appropriate or not; 5.Observe for 30 minutes and see whether the alarm will be eliminated automatically; 6.Contact after-sales service personnel
	2.GridV.OutLim	Definition: Grid voltage exceeds the specified range,
		Possible causes: 1.Grid voltage is abnormal or not present; Power grid breaks down 2.Cable connection between the inverter and the grid is poor;
		Recommended solutions: 1.Observe for 10 minutes and see whether the alarm will be eliminated automatically; 2.Check whether the grid voltage is within the specified range, verify the AC circuit breaker has not tripped; 3.Measure VAC between line to line and line to

		<p>neutral if more than 2.6% difference go to step 5</p> <p>4.Check whether the cable between the inverter and power grid is disconnected or has any fault;</p> <p>5.Contact after-sales service personnel</p>
	3.GridF.OutLim	<p>Definition: Grid voltage frequency is abnormal, or power grid is not detected</p> <p>Possible causes: 1.Grid frequency is abnormal; 2.Cable connection between the inverter and the grid is poor;</p> <p>Recommended solutions: 1.Observe for 10 minutes and see whether the alarm will be eliminated automatically; 2.Verify whether the grid frequency is within the specified range; 3.Check whether the cable between the inverter and power grid is disconnected or has any fault; 4.Contact after-sales service personnel</p>
	4.PV VoltOver*	<p>Definition: PV voltage exceeds the specified value</p> <p>Possible causes: PV over-voltage</p> <p>Recommended solutions: 1.Observe for 30 minutes and see whether the alarm will be eliminated automatically; 2.Check whether PV voltage exceeds the specified range; 3.Turn off the PV input switch, wait for 5 minutes, and then turn on the switch again; 4.Contact after-sales service personnel</p>
	5.PV1 (2) Reverse**	<p>Definition: PV module is connected inversely</p> <p>Possible causes: PV positive pole and negative pole are connected inversely;</p> <p>Recommended solutions: 1.Check whether positive pole and negative pole are connected inversely; 2.Contact after-sales service personnel</p>
	6.GFCl.Err	<p>Definition: System leakage current is too high</p>

		<p>Possible causes:</p> <ol style="list-style-type: none"> 1.Excessive parasitic capacitance on PV module due to environmental factor; 2.Grounding is abnormal; 3. Internal inverter fault
		<p>Recommended solutions:</p> <ol style="list-style-type: none"> 1.Observe for 10 minutes and see whether the alarm will be eliminated automatically; 2.Detect whether the electrical connection is abnormal 3.Contact after-sales service personnel
	7.IsolationErr	<p>Definition:</p> <p>Insulation impedance of PV positive to ground or PV negative to ground exceeds the specified range</p>
		<p>Possible causes:</p> <p>Air humidity is high</p>
		<p>Recommended solutions:</p> <ol style="list-style-type: none"> 1.Observe for 10 minutes and see whether the alarm will be eliminated automatically; 2.Check insulation of PV system; 3.Contact after-sales service personnel
	8.ARC Protect	<p>Definition:</p> <p>Arc-fault</p>
		<p>Possible causes:</p> <p>Protection actions of ARC board</p>
		<p>Recommended solutions:</p> <ol style="list-style-type: none"> 1. Use “ARCFaultClear” to clear the Arc-fault. (Refer to section 5.4.4) 2. Check if there is an arc in PV input or the connection of PV cable is not good. 2. Contact after-sales service personnel
	9.Arcboard Err	<p>Definition:</p> <p>Arcboard error</p>
		<p>Possible causes:</p> <p>Poor contact or damage of Arcboard</p>
<p>Recommended solutions:</p> <ol style="list-style-type: none"> 1. Check whether the Arcboard is in good condition 2. Use “ARCFaultClear” to clear the Arc-fault. (Refer to section 5.4.4) 3. Contact after-sales service personnel 		
10.IntProtect0010~	<p>Definition:</p>	

	0620	Internal protection of the inverter Possible causes: Protection procedure occurs inside the inverter Recommended solutions: 1.Observe for 10 minutes and see whether the alarm will be eliminated automatically; 2.Contact after-sales service personnel
Fault	IntFault0010~0150	Definition: Internal fault of the inverter Possible causes: Fault occurs inside the inverter Recommended solutions: 1.The inverter can be forced to restart once it is required by operation and if it is confirmed that there is no other problem; 2.Contact after-sales service personnel



INSTRUCTION:

- *The actual display of “PV.VoltOver” is “PV1VoltOver” or “PV2VoltOver”.
- *The actual display of “PV.Reverse” is “PV1Reverse” or “PV2Reverse”.



DANGER:

Please disconnect the inverter from AC grid and PV modules before opening the equipment. Make sure hazardous high voltage and energy inside the equipment has been discharged.
Do not operate or maintain the inverter until at least 5 minutes after disconnecting all sources of DC and AC.

6.2 Product Maintenance

6.2.1 Check the Electrical Connection

Check all the cable connections as a regular maintenance inspection every 6 months or once a year.

- 1.) Check the cable connections. If loose, please tighten all the cables referring to “2.3 Electrical Installation”.
- 2.) Check for cable damage, especially whether the cable surface is scratched or smooth. Repair or replace the cables if necessary.

6.2.2 Clean the Air Vent Filter

The inverter can become hot during normal operation. It uses built in cooling fans to provide sufficient air flow to help in heat dissipation.

Check the air vent regularly to make sure it is not blocked and clean the vent with soft brush or vacuum cleaner if necessary.

6.2.3 Replace Cooling Fans

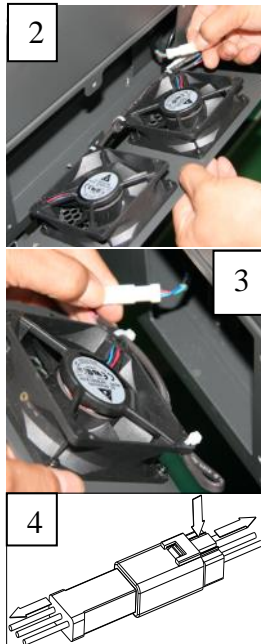
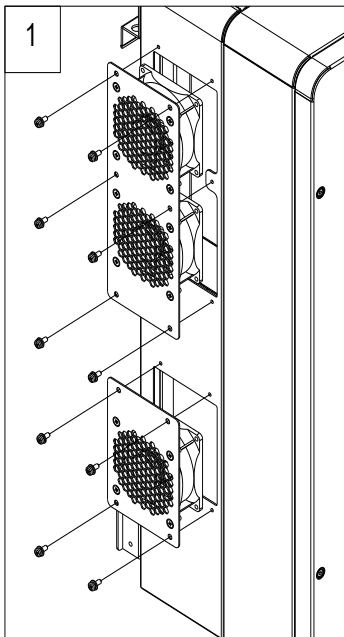
If the internal temperature of the inverter is too high or abnormal noise is heard assuming the air vent is not blocked and is clean, it may be necessary to replace the external fans. Please refer to Figure 6.1 for replacing the cooling fans.

- 1.) Use a No.2 Phillips head screwdriver to take off the 10 screws on the fan tray (6 screws on the upper fan tray, and 4 screws on the lower fan tray).
- 2.) Disconnect the waterproof cable connector from the cooling fan.
- 3.) Use a No.2 Phillips head screwdriver to take off the screws.
- 4.) Fix the new cooling fan on the fan tray, and fasten the cable on the fan tray with cable ties

Torque value: 0.8-1N.m (8 in-lbs)

- 5.) Install the assembled fans back to the inverter.

Torque value: 1.2N.m (10 in-lbs)



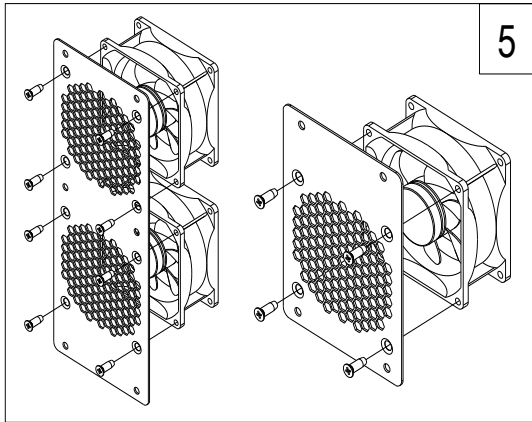


Figure 6.1 - Replace Cooling Fans

6.2.4 Replace the Inverter

Please confirm the following things before replacing the inverter:

- (1) The inverter is turned off.
- (2) The DC switch of the inverter is turned to OFF position.

Then Replace the inverter according to the following steps:

a.) Unlock the padlock if it is installed on the inverter.

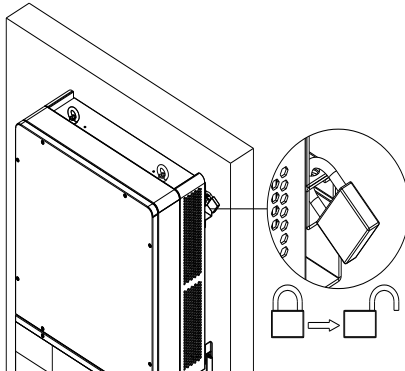


Figure 6.2 - Unlock the Padlock

b.) Use a No.2 Phillips head screwdriver to unscrew the 2 screws on both sides of the inverter.

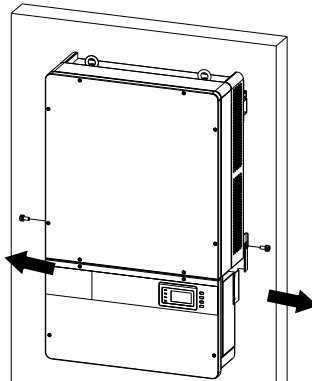


Figure 6.3 - Remove the Screws on Both Sides

c.) Use a No. 10 Hex wrench to remove the 4 screws between the main section and the wiring box. Lift up the main section and disconnect from the wiring box.

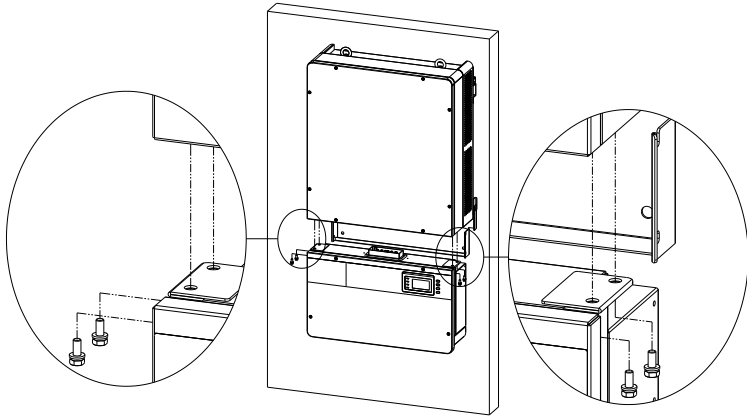


Figure 6.4 - Disconnect the Main Section from the Wiring Box

d.) Use a No.2 Phillips head screwdriver to remove the 2 screws on the left side of the wiring box, and take off the cover board. Put the board on the connector of wiring box.

Torque value: 1.2N.m (10 in-lbs)

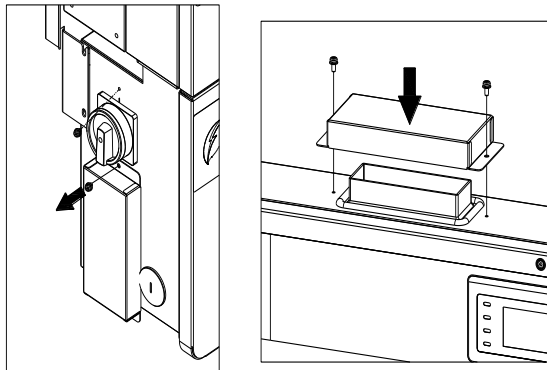


Figure 6.5 - Install the Cover Board on the Connector of the Wiring Box

6.3 Uninstalling the Inverter

Uninstall the inverter according to the following steps when the service time is due or for other reasons:



DANGER:

Please disconnect the electrical connection in strict accordance with the following steps. Otherwise, the inverter will be damaged and the service personnel's life will be endangered.

- 1.) Turn off the AC breaker, and use Padlocks if provided.
- 2.) Turn off the DC breaker, and use Padlocks if provided.
(Skip this step if there is no DC circuit breaker.)
- 3.) Switch the AC switch to "OFF" position.
- 4.) Switch the DC switch to "OFF" position.
- 5.) Wait for 10 minutes to ensure the internal capacitors have been completely discharged.
- 6.) Measure the AC output cable terminal voltage against the ground, and make sure the voltage is 0V.
- 7.) Disconnect the AC and PE cables referring to "2.3.2 AC and Ground Connection".
- 8.) Disconnect the DC cables referring to "2.3.1 DC Connection".
- 9.) Uninstall the inverter using reverse of installation steps referring to "2.2 Mechanical Installation".

7.0: Product Warranty and RMA Policy

The current warranty and RMA statement for the product is available online at <http://www.solectria.com/support/documentation/warranty-information/grid-tied-inverter-warranty-letter/> . If you do not have access to the internet or to request a copy to be mailed to you, please contact our Technical Service department 978-683-9700 x 2.

8.0: Technical Data

Model Name	PVI 36TL
DC Input	
Max. PV Power	54kw
Nominal DC Input Power	37kW
Max. DC Input Voltage ¹	1000Vdc
Operating DC Input Voltage Range	200-950Vdc
Start-up DC Input Voltage / Power	330V/80W
Number of MPP Trackers	2
MPPT Voltage Range ²	540-800Vdc
Max. Input Current (Imp)	35A*2
Max. Short Circuit Current (Isc)	62.5A*2
Number of DC Inputs	10 inputs, 5 per MPPT
DC Disconnection Type	Load rated DC switch
AC Output	
Rated AC Output Power	36kW
Max. AC Output Power	36kW
Rated Output Voltage	480Vac
Output Voltage Range ³	422-528Vac
Grid Connection Type	3Φ/ PE
Max AC Output Current	43.5A
Rated Output Frequency	60Hz
Output Frequency Range ⁴	59.3-60.5Hz
Power Factor	>0.99 (±0.8 adjustable)

¹ Exceeding the Max. DC Input Voltage may cause permanent damage to the equipment.

² The MPPT Voltage Range is adjustable through LCD operations.

³ The Output Voltage Range may differ according to specific grid standard.

⁴ The Output Frequency Range may differ according to specific grid standard.

Current THD	<3%
AC Disconnection Type	Load rated AC switch
System	
Topology	Transformerless
Max. Efficiency	98.4%
CEC Efficiency	98.0%
Stand-by / Night Consumption	<30W / <3W
Environment	
Protection Degree	TYPE 4X
Cooling	Variable speed cooling fans
Operating Temperature Range	-13°F to +140°F / - 25°C to +60°C (derating from +113°F / +45°C)
Storage temperature	-40°F to +158°F / - 40°C to +70°C
Operating Humidity	0-95%, non-condensing
Operating Altitude	13123.4ft / 4000m (derating from 6561.7ft / 2000m)
Display and Communication	
Display	LCD + LED
Communication	Standard: RS-485 (Modbus) Optional: Ethernet TCP/IP card
Mechanical Data	
Dimensions (WxHxD)	23.6×39.4×9.1in / 600×1000×230mm
Weight	145lbs / 66kg (main section & inverter)
Orientation*	15 - 90 degrees from horizontal
Safety	
PV Arc-Fault Circuit Protection	Type 1
Safety and EMC Standard	UL1741:2010, CSA-C22.2 NO.107.1-01, IEEE1547; FCC PART15
Grid Standard	IEEE1547: 2003, IEEE1547.1: 2006

* Shade cover accessory required for installation angles of 75 degrees or less.

Note 1: When the DC input voltage is lower than 540V or higher than 800V, the inverter begins derating, as shown in Figure 7.1:

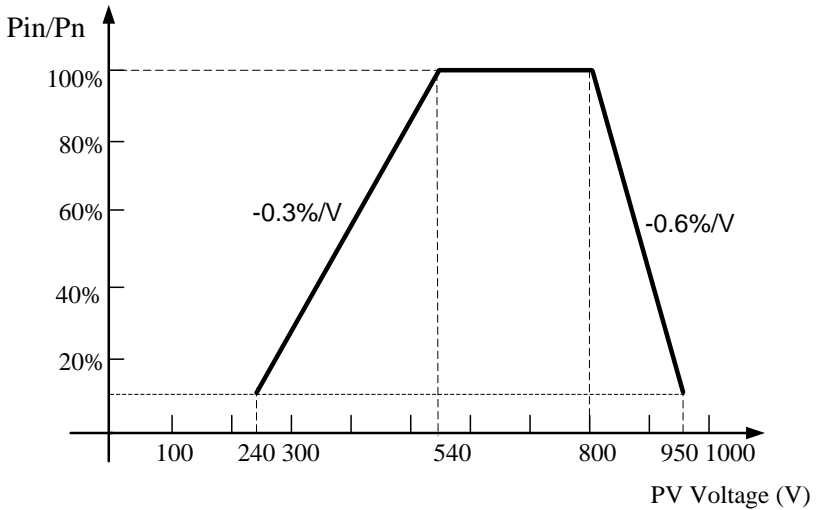


Figure 7.1 - PVI 36TL Derating Curve of PV Input Voltage

Note 2: When the ambient temperature is higher than 113°F (45°C), the output power begins derating, as shown in Figure 7.2:

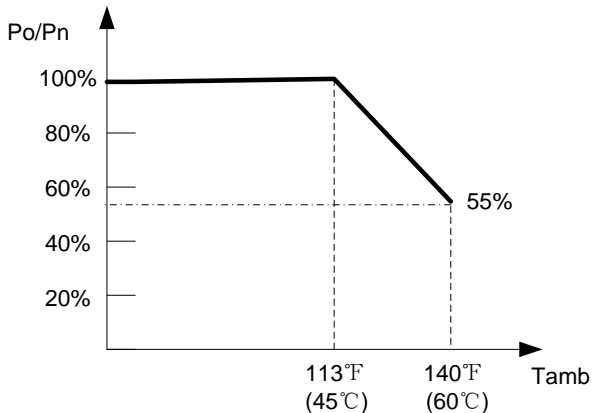


Figure 7.2 - PVI 36TL Derating Curve with High Temperature

Note 3: When the altitude is higher than 9843ft (3000m), the power of the inverter will start derating, as shown in Figure 7.3:

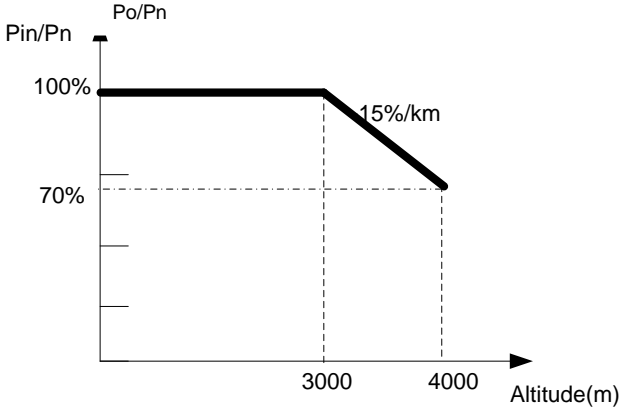


Figure 7.3 - PVI 36TL Derating Curve with High Altitude

Note 4: The inverter can output the AC power with full loads within 90%~110% of the rated grid voltage. When the grid voltage is lower than 90%, the output current will be limited within the allowable Max. current.

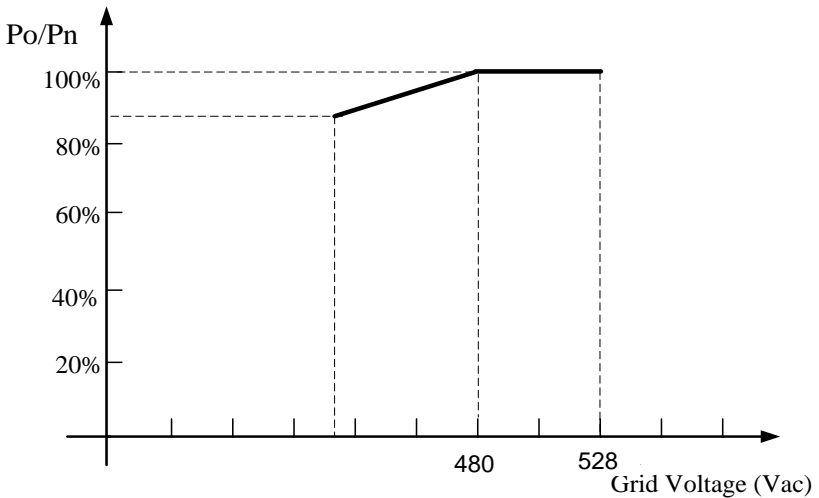


Figure 7.4 - PVI 36TL Derating Curve of Grid Voltage

9.0: Accessory Options

The PVI 36TL comes with several options that allow the inverter to support a wide range of real life applications.

9.1 Fuse Bypass

OPT-FUSEBYPASS-PVI-23-28 allows customers to combine the DC inputs outside the inverter and enter with only one or two combined inputs. Torque to 16 in-lbs the provided hardware.

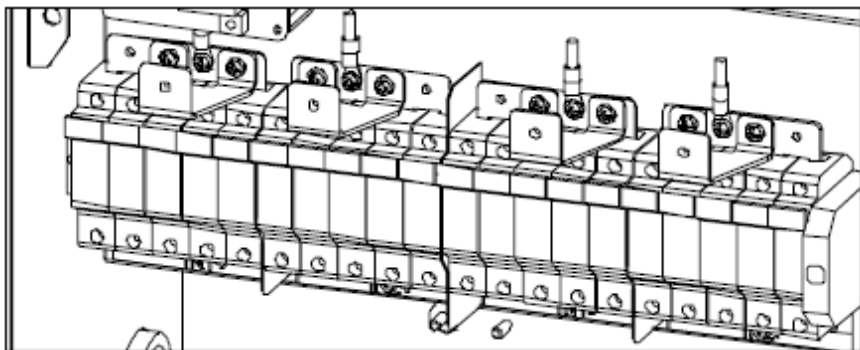


Figure 8.1 – Fuse Bypass Two Inputs (Two Independent MPPTs)

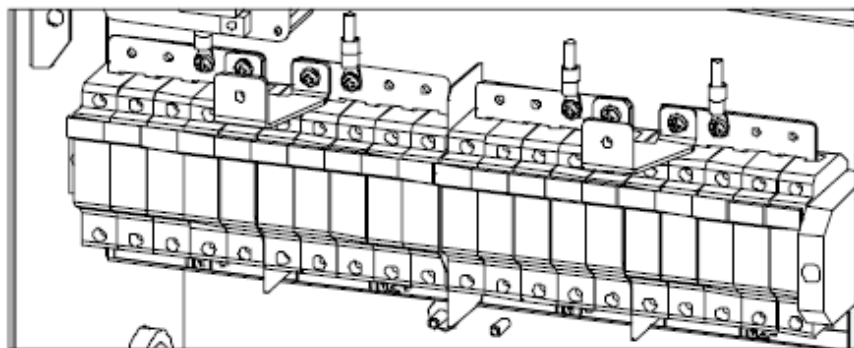


Figure 8.2 – Fuse Bypass Single Input (Combined MPPT)

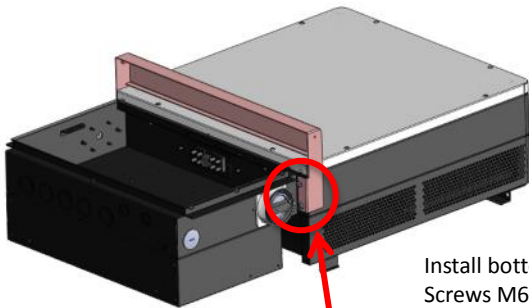
9.2 Shade Cover

OPT-SHADECOVER-PVI-23-28 is specifically designed for inverters mounted at a 15-degree tilt angle. It protects the inverter from harsh weather and direct sunlight/extremely hot temperatures while reducing thermal gain on the inverter and increasing energy production.

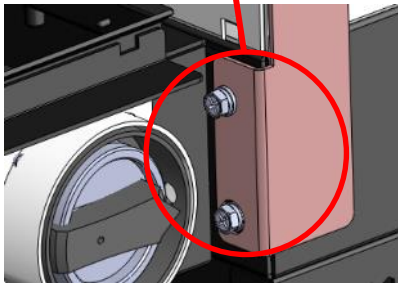
PVEL, now part of BEW/DNV Kema, performed field testing of the shade cover temperature effects of the inverter case temperatures. The normalized data analysis showed 2-15% less temperature rise on the inverter case temperatures. Front, Back and Top temp rise was 6%, 4%, 15% lower with the Shade cover (as shown in table on the next page).

Measurement Location	Inverter1					
	Top	East	West	Front	Back	Bottom
Without Shade Plate [$T_{Case}/T_{Ambient}$]	1.98	1.53	1.71	1.54	1.47	1.26
Shade Plate on Inverter1 [$T_{Case}/T_{Ambient}$]	1.67	1.47	1.66	1.45	1.41	1.23
Percent Difference [Shade Plate-Without Shade Plate](%)	-15.65	-3.36	-3.01	-6.26	-4.20	-2.34

Table 8.1 – Normalized (to Measure Ambient Temperatures) Case Temperatures at Various Locations on the Inverter



Install bottom bracket as shown.
Screws M6x18- 4 pcs.
Torque to 25 in-lbs.



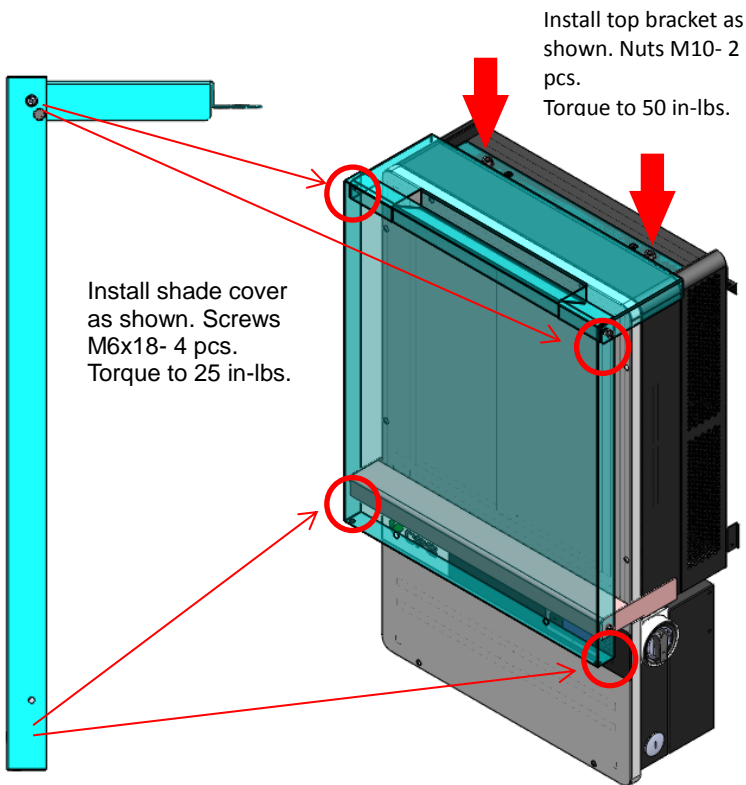


Figure 8.4 –Shade Cover Installation

9.3 AC & DC Disconnect Covers

OPT-DISCOVER-PVI-23-28 is a tamper resistant cover for the AC and DC disconnects. It is for customers that have inverters in public places so the disconnects cannot be turned while the inverter is running.



Figure 8.5 – Tamper Proof Cover

10.0: Appendices:

Appendix A – Instruction of Inverter Selection

Table A.1 - Optional Accessory

	Item	Number	Note
Standard	■ PVI 36TL inverter	1	
Options	□ Ethernet card	1	
	□ Bypass input terminalsx2	1 or 2	

The following figure shows the wiring box equipped with the optional components:

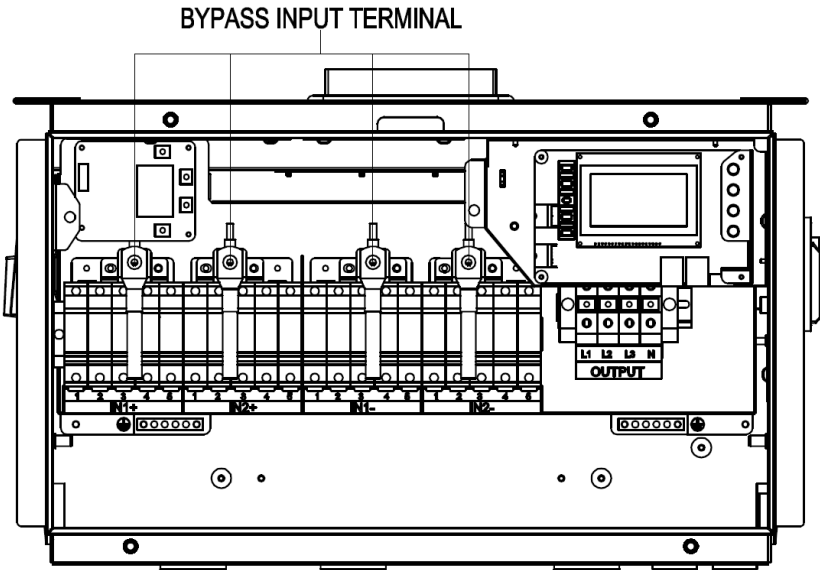
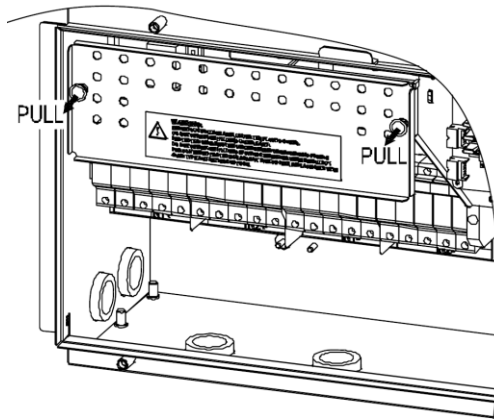
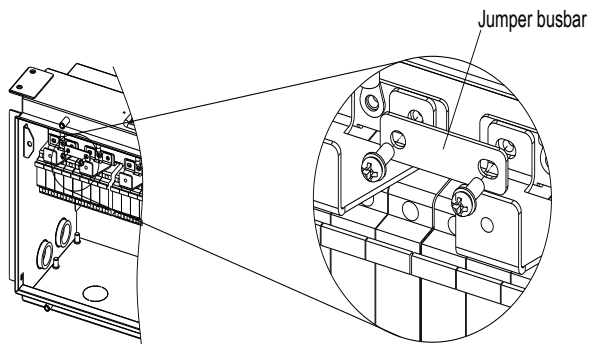


Figure A.1 - Internal Structure of PVI 36TL Inverter with Optional Components

Bypass Input Terminal Instructions:

1. Remove the protection cover. (see Figure A.2)
2. Use No.2 Phillips head screwdriver to remove the jumper busbar, torque value of 1.6N.m. (14 in-lbs) (see Figure A.3)
3. Use No.2 Phillips head screwdriver to install the bypass input terminals, 2sets or 1set, torque value of 1.6N.m. (14 in-lbs) (see Figure A.5)
4. Use No. 10 wrench to screw DC input cable on the bypass input terminals, torque value of 6.0N.m. (50 in-lbs) (see Figure A.6)
5. Reinstall the protection cover (see Figure A.7).

**Figure A.2****Figure A.3**

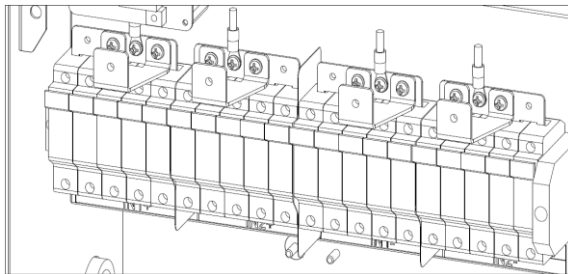


Figure A.4(a)

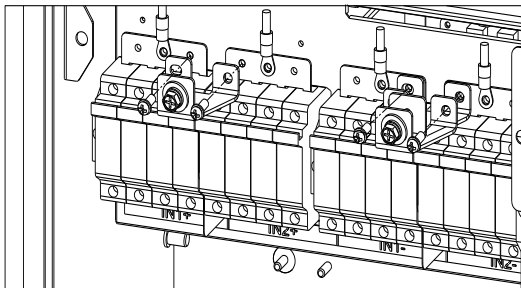


Figure A.4(b)

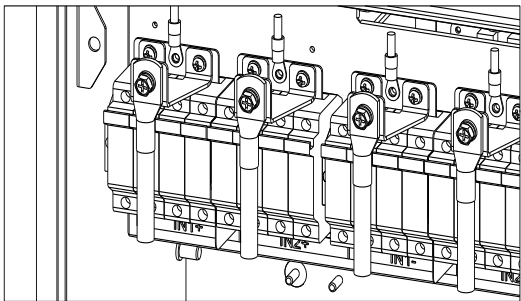


Figure A.5(a)

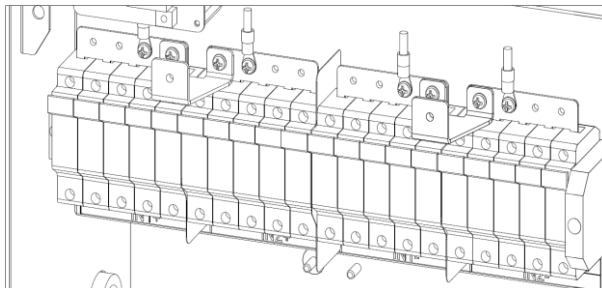


Figure A.5(b)

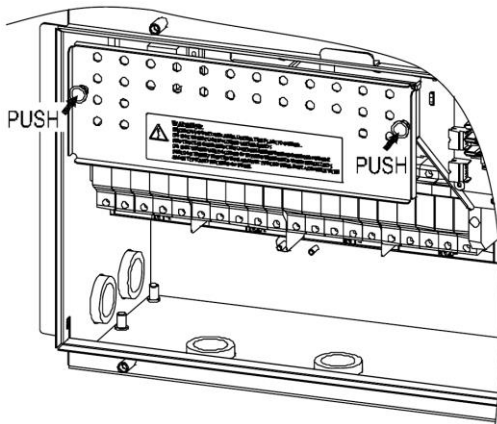


Figure A.6

Appendix B – PVI 36TL Datasheet

<https://solectria.com/support/documentation/inverter-datasheets/pvi-23tl-pvi-28tl-pvi-36tl-transformerless-3-ph-string-inverters-datasheet/>

Appendix C – String Sizing Tool

<http://solectria.com/support/string-sizing-tool/>

Appendix D – Contact Information

Yaskawa – Solectria Solar
360 Merrimack Street
Building 9, Floor 2
Lawrence, Massachusetts 01843
USA

Tel:	978.683.9700
Fax:	978.683.9702
Sales/General Info:	inverters@solectria.com
Technical Support & Service:	978-683-9700 x2
Website:	www.solectria.com

Appendix E – Authorized Distributors

<http://www.solectria.com/products/how-to-buy/>

Appendix F – UL 1741 / UL 1699B/ IEEE 1547 / CSA 22.2#107.1 Authorization to Mark

			
<h1>Certificate of Compliance</h1>			
Certificate:	2665124	Master Contract:	259363
Project:	70036193	Date Issued:	June 12, 2015
Issued to:	Solectria Renewables, LLC. 360 Marrimack St Bldg 9, Lawrence, MA, 01843, USA Attention: Mr. James Worden		
<p><i>The products listed below are eligible to bear the CSA Mark shown with adjacent indicators 'C' and 'US' for Canada and US or with adjacent indicator 'US' for US only or without either indicator for Canada only</i></p>			
		Issued by: <i>Kyle Song</i> Kyle Song	
PRODUCTS			
CLASS 5311 09 - POWER SUPPLIES - Distributed Generation Power Systems Equipment			
CLASS 5311 89 - POWER SUPPLIES - Distributed Generation - Power Systems Equipment			
- Certified to U.S. Standards			
Transformerless Utility Interactive Inverter, Models PVI 23TL-480, PVI 28TL-480 and PVI 36TL-480, permanently connected.			
<u>Note:</u>			
For details related to rating, size, configuration, etc., reference should be made to the CSA Certification Record, Certificate of Compliance Annex A, or the Descriptive Report.			
DGD307 Rev. 2012-05-22			Page 1