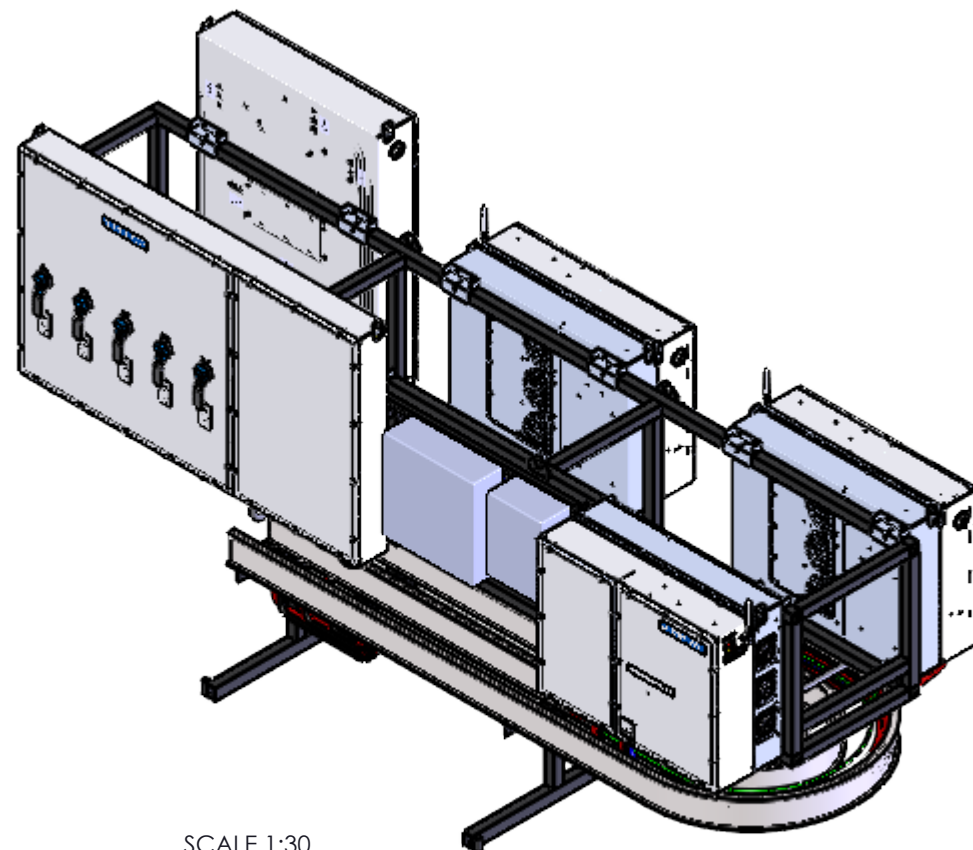
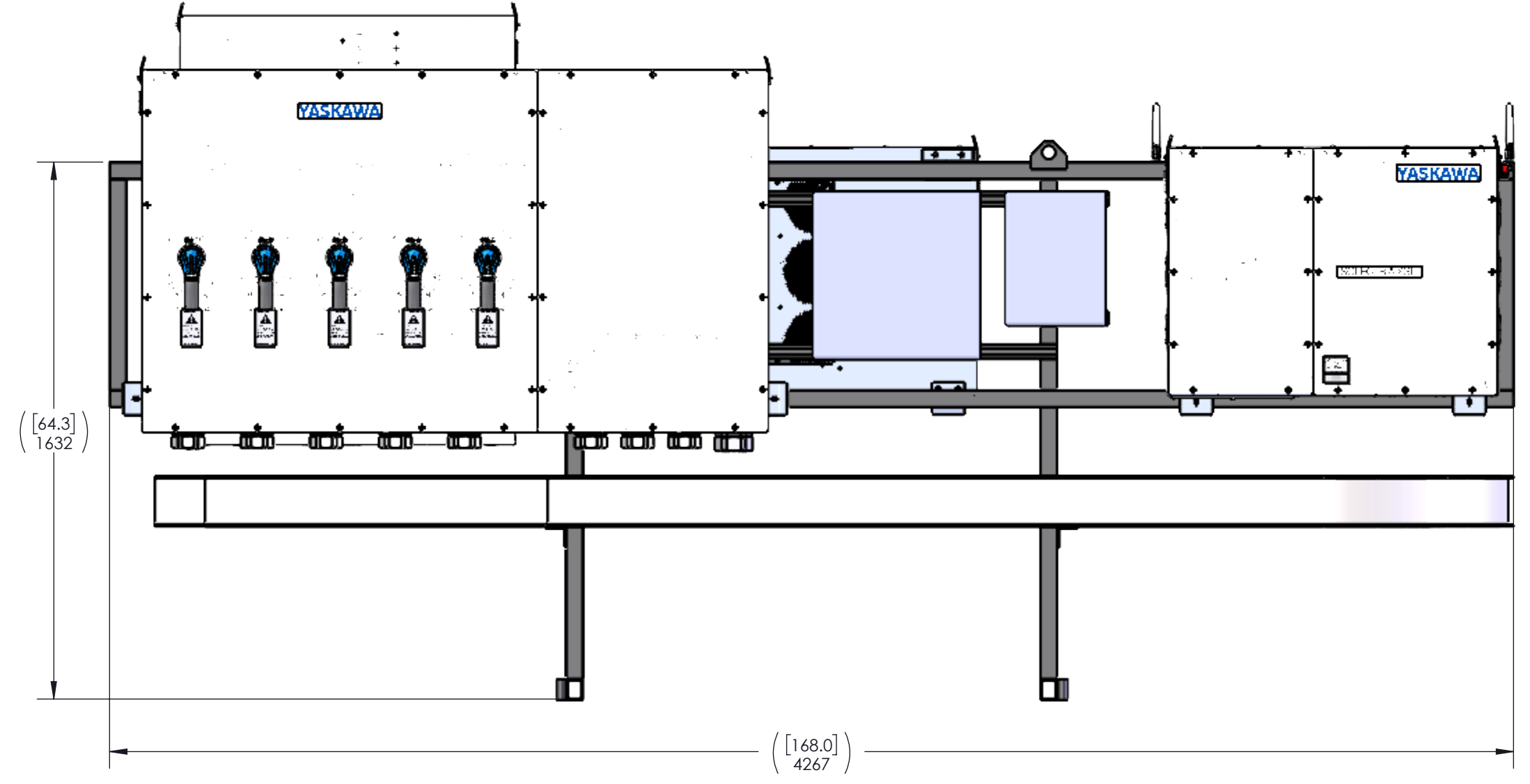
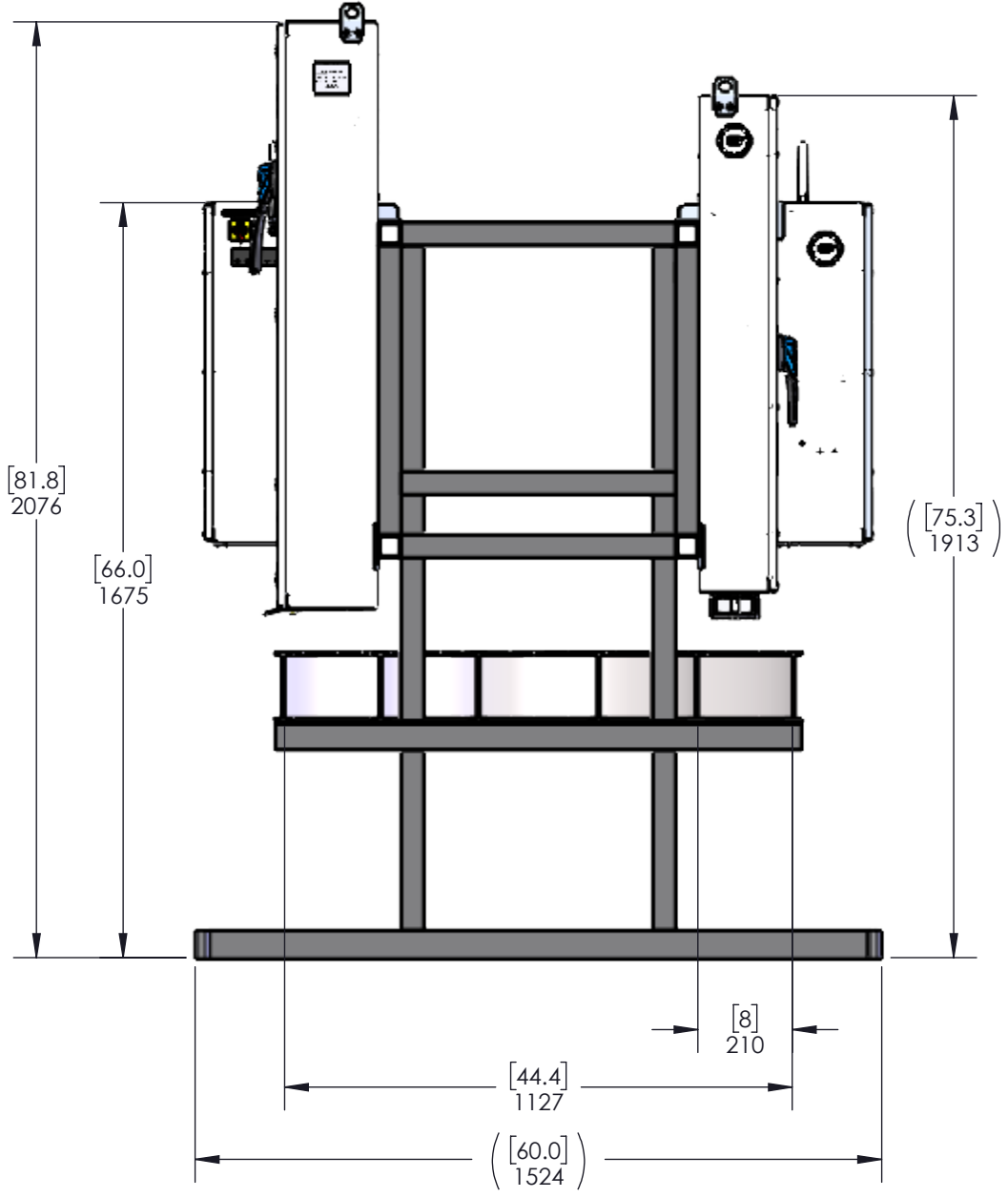
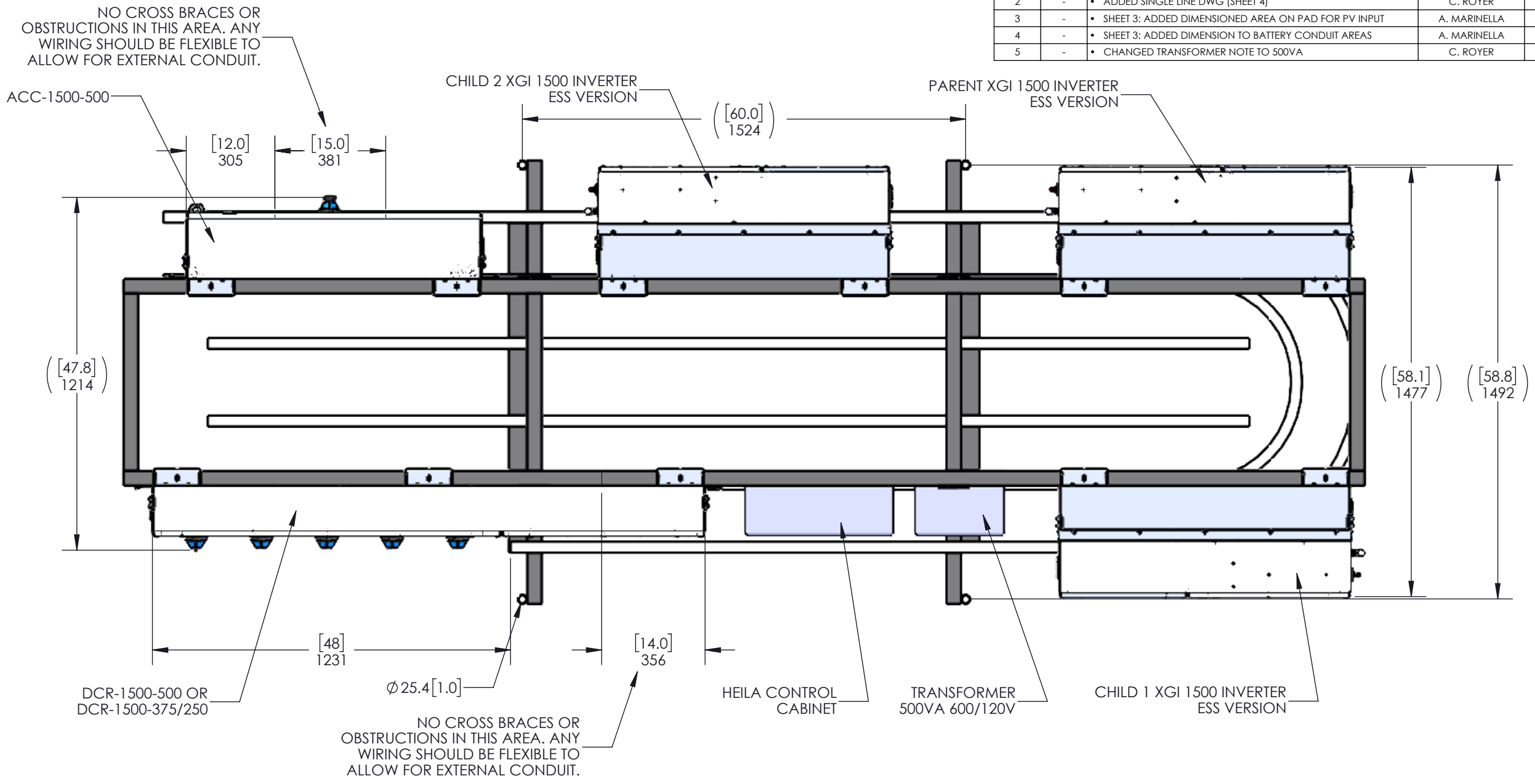


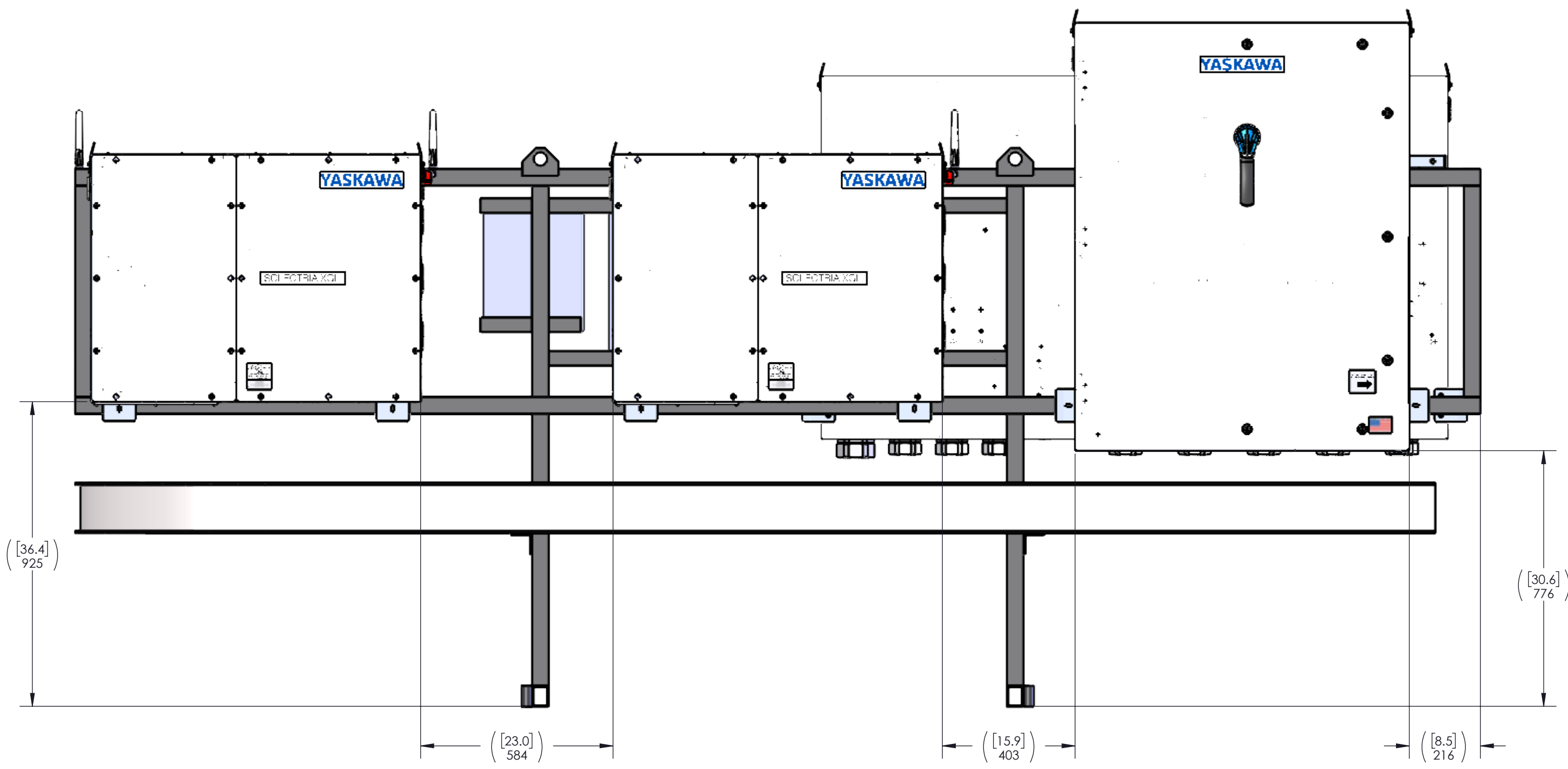
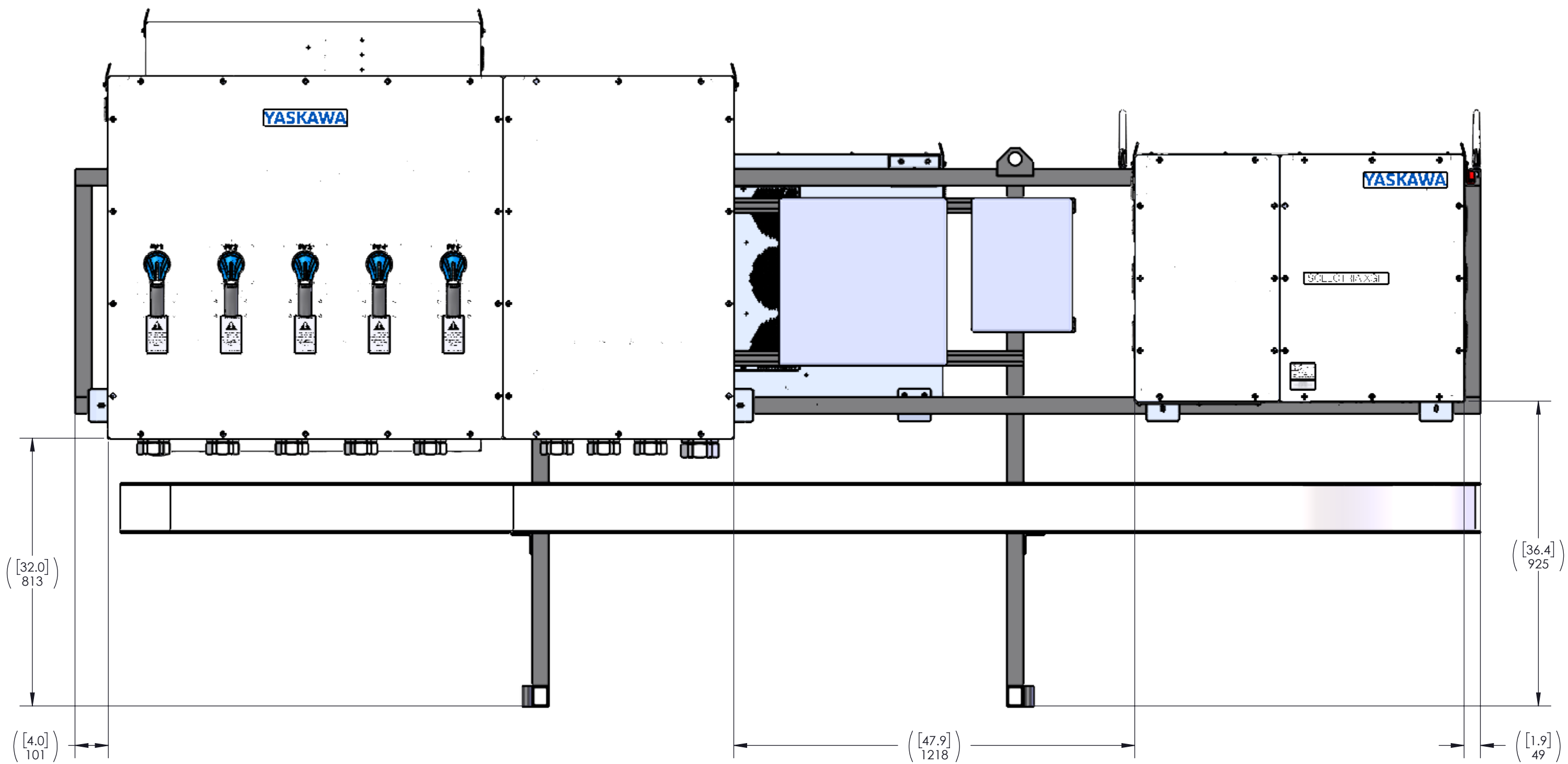
REVISIONS				
REV	EC#	DESCRIPTION	DRAWN	DATE
0	-	INITIAL RELEASE	A. MARINELLA	2/12/2021
1	-	INCREASED WIDTH OF TROUGH SHORTENED TROUGH ON SIDE WITH DCR-1500 DIMENSIONED AREAS TO HAVE NO CROSS BRACES OR OBSTRUCTIONS	A. MARINELLA	10/6/2021
2	-	ADDED SINGLE LINE DWG (SHEET 4)	C. ROYER	7/7/2022
3	-	SHEET 3: ADDED DIMENSIONED AREA ON PAD FOR PV INPUT	A. MARINELLA	11/30/2022
4	-	SHEET 3: ADDED DIMENSION TO BATTERY CONDUIT AREAS	A. MARINELLA	1/18/2023
5	-	CHANGED TRANSFORMER NOTE TO 500VA	C. ROYER	4/17/2024



SCALE 1:30



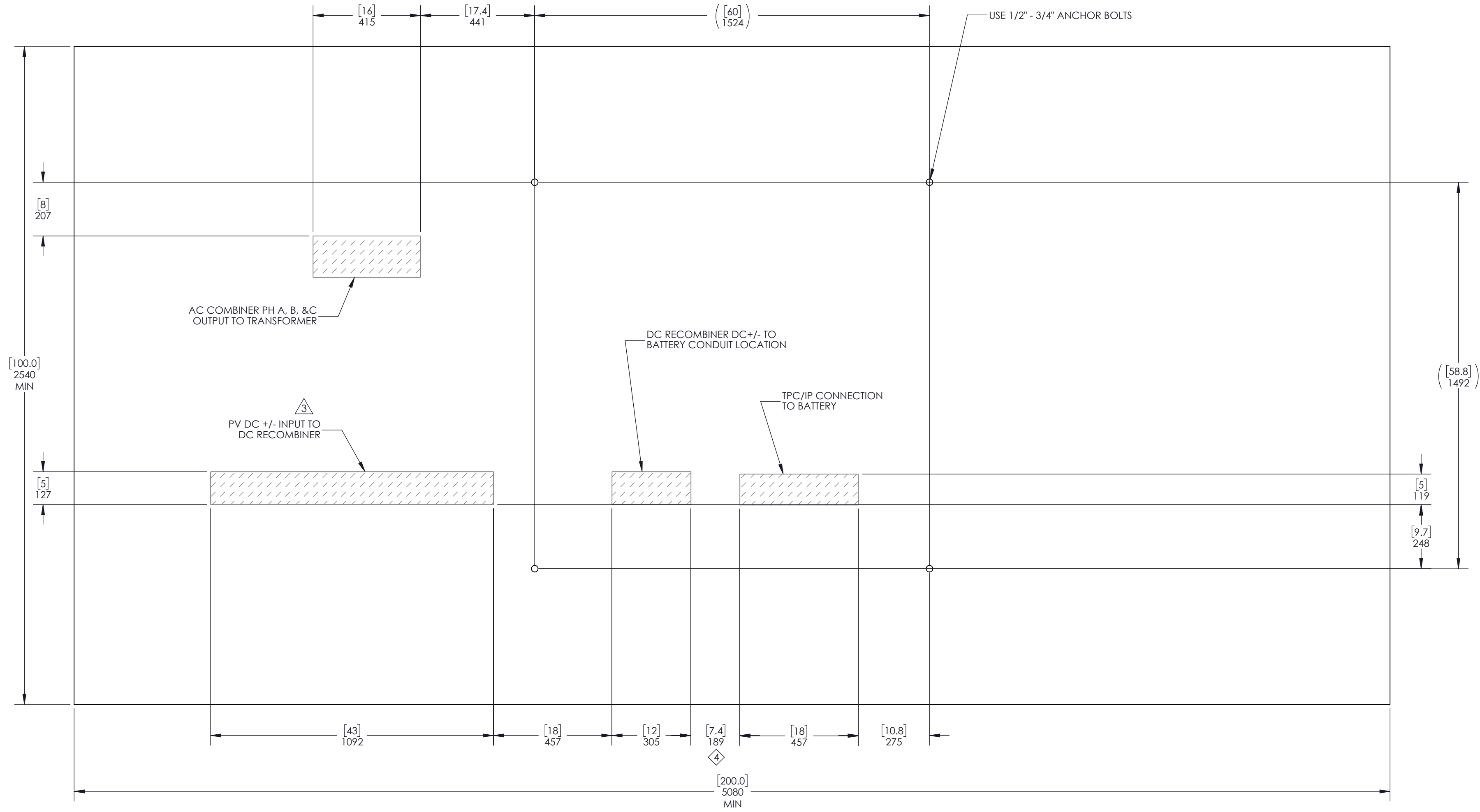
GENERAL TOLERANCES: X ±1 XX ±0.5 XXX ±0.1 XXXX ±0.05 ANGLES ±1.0	BREAK ALL SHARP EDGES AND DEBURK DRAWINGS PER ASME Y14.5M-1994	DESIGNED: A. MARINELLA 7/7/2022 DRAWN: A. MARINELLA 11/30/2022 CHECKED: C. ROYER 11/30/2022 APPROVED:	YASKAWA SOLECTRIA SOLAR COMMERCIAL CONFIDENTIAL CUSTOMER INTERFACE DRAWING, PVS-500
THIS DOCUMENT AND INFORMATION CONTAINED IN IT ARE CONFIDENTIAL AND CANNOT BE COPIED OR DISCLOSED IN WHOLE OR IN PART WITHOUT EXPRESSED WRITTEN CONSENT OF YASKAWA SOLECTRIA SOLAR	3RD ANGLE PROJECTION SURFACE FINISH: 2.5/	MATERIAL: II ENTER UNDER PROPERTIES II FINISH: NONE MASS: 0.0 g FIRST USED: PVS-500 DIMENSIONS ARE IN MILLIMETERS DO NOT UPDATE MANUALLY DO NOT SCALE	
ITEM NUMBER: PVS-500		DRAWING NUMBER: DOCR-071066	
SIZE: C		REV: 5	
SCALE: 1:16		SHEET 1 OF 4	



YASKAWA
 SOLECTRIA SOLAR
 COMMERCIAL CONFIDENTIAL
 CUSTOMER INTERFACE
 DRAWING, PVS-500

ITEM NUMBER: PVS-500	SIZE: C
DRAWING NUMBER: DOCR-071066	REV: 5
SCALE: 1:12	SHEET 2 OF 4

VIEW OF PAD ONLY



YASKAWA
SOLECTRIA SOLAR
COMMERCIAL CONFIDENTIAL
CUSTOMER INTERFACE
DRAWING, PVS-500

ITEM NUMBER: PVS-500	SIZE: C
DRAWING NUMBER: DOCR-071066	REV: 5
SCALE: 1:12	SHEET 3 OF 4

SOLECTRIA PVS-500 DC-COUPLED STORAGE SYSTEM

ENCIRCLED COMPONENTS OF THE PVS-500 ARE RACK-MOUNTED, WIRED AND TESTED IN THE YASKAWA FACTORY

