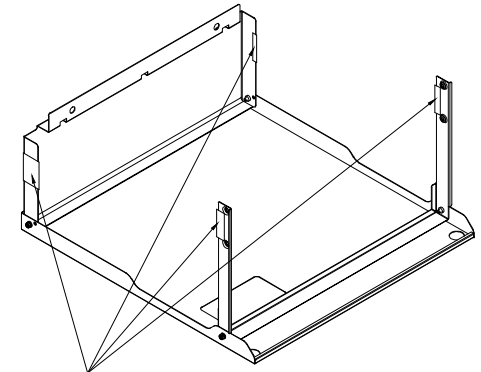
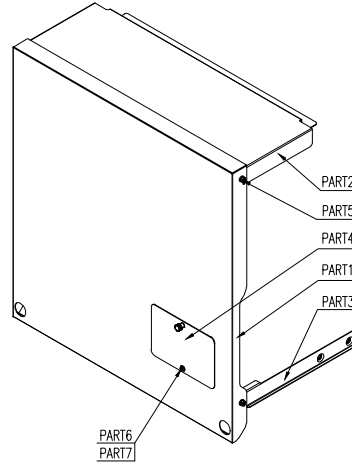
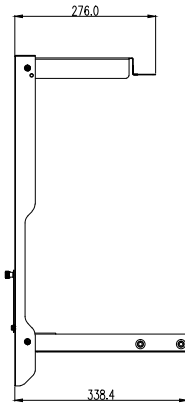
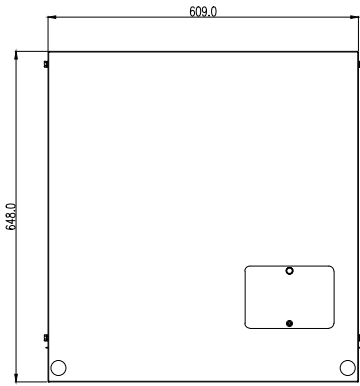
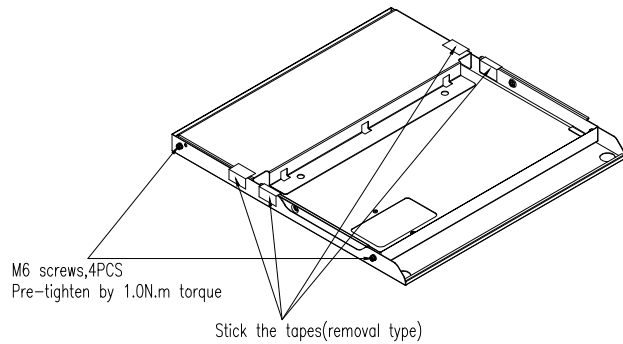


Assembly Drawing



Stick the tapes(removal type) to protect edges.



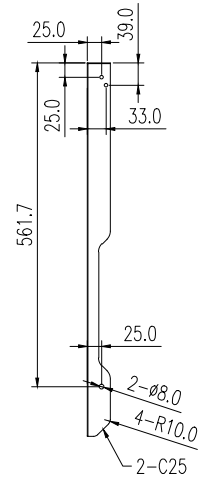
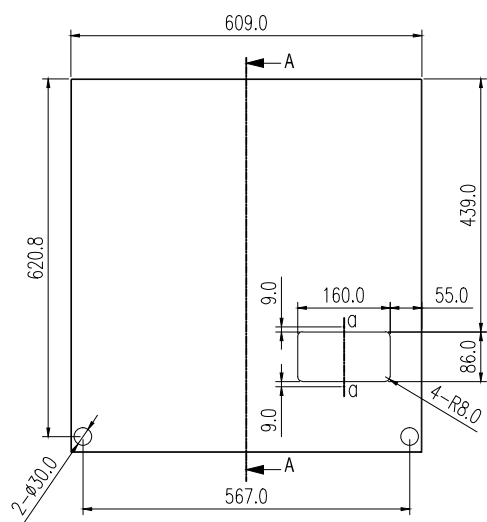
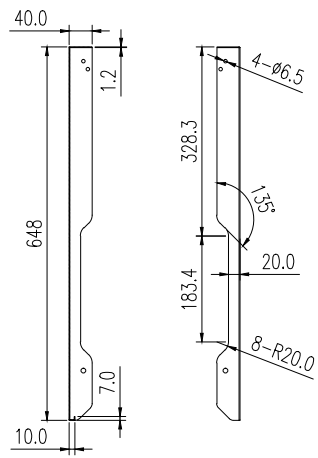
M6 screws,4PCS
Pre-tighten by 1.0N.m torque

Stick the tapes(removal type)

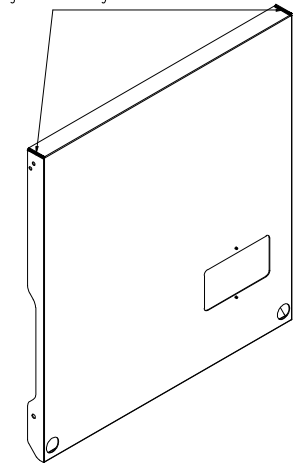
7	8.0528.0036XX	2	Plastic washer
6	8.0551.0208	1	KangYang TGM4-11SW
5	8.0551.0070XX	4	Screw M6x16 SS
4	MD1609-10104	1	
3	MD1609-10103	1	
2	MD1609-10102	1	
1	MD1609-10101	1	
Item	Part number	Qty	Comments

YASKAWA
SOLECTRIA SOLAR

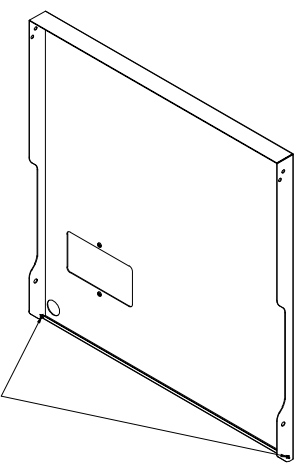
PART 1



Welding and Polishing



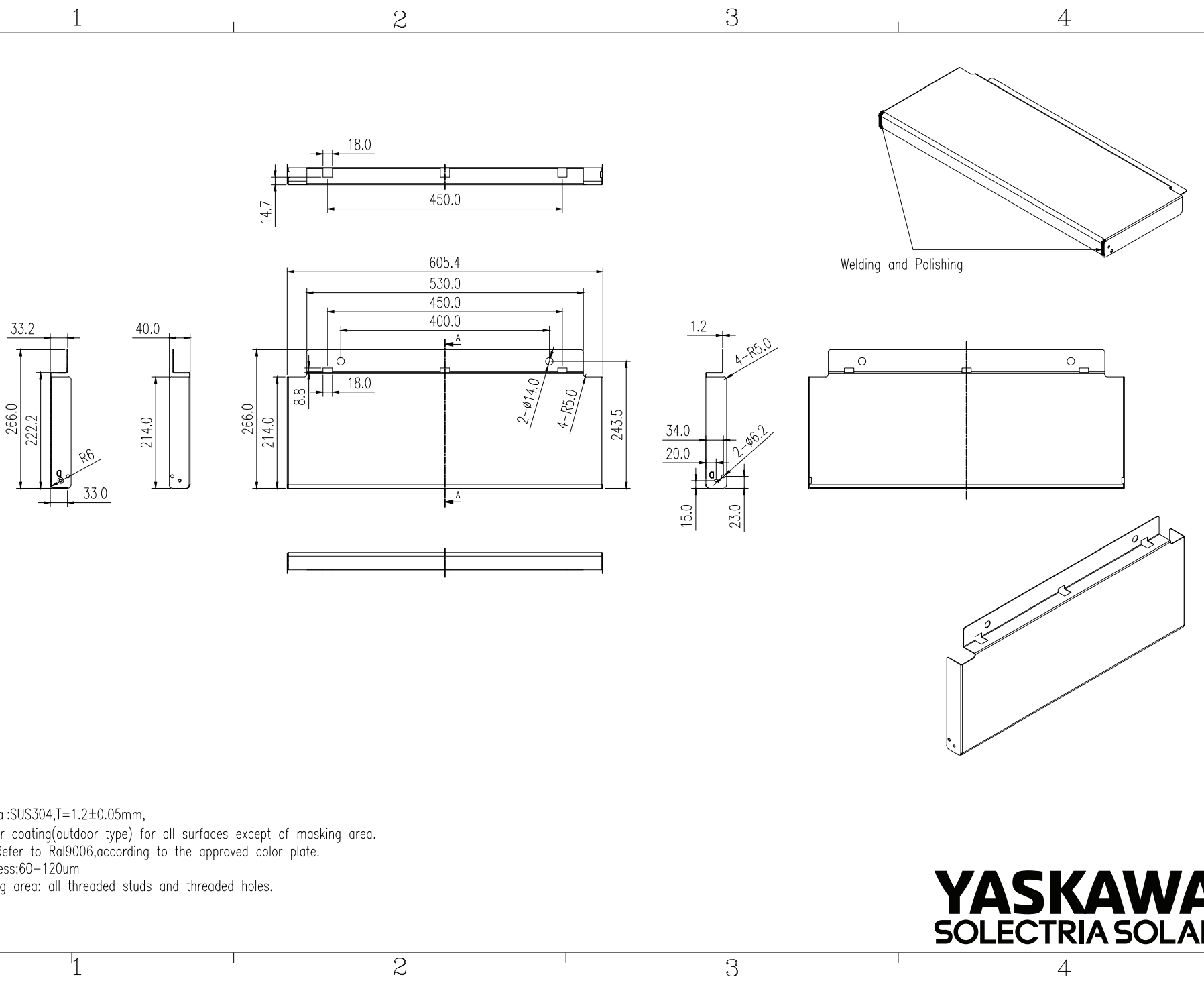
Welding



- Notes:
1. Material: SUS304, T=1.2±0.05mm,
 2. Powder coating(outdoor type) for all surfaces except of masking area.
 Color: Refer to Ral9006, according to the approved color plate.
 Thickness: 60-120um
 Masking area: all threaded studs and threaded holes.

YASKAWA
SOLECTRIA SOLAR

PART 2

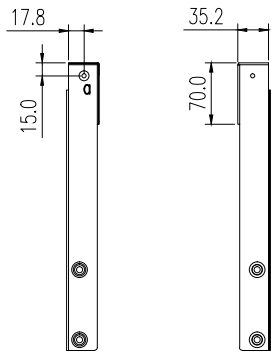


Notes:

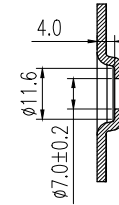
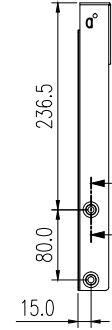
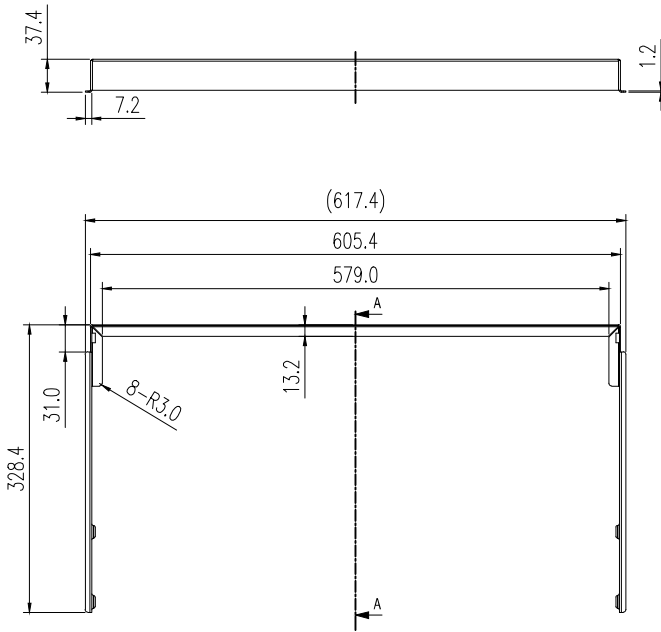
1. Material: SUS304, $T=1.2 \pm 0.05$ mm,
2. Powder coating (outdoor type) for all surfaces except of masking area.
Color: Refer to Ra19006, according to the approved color plate.
Thickness: 60-120 μ m
Masking area: all threaded studs and threaded holes.

YASKAWA
SOLECTRIA SOLAR

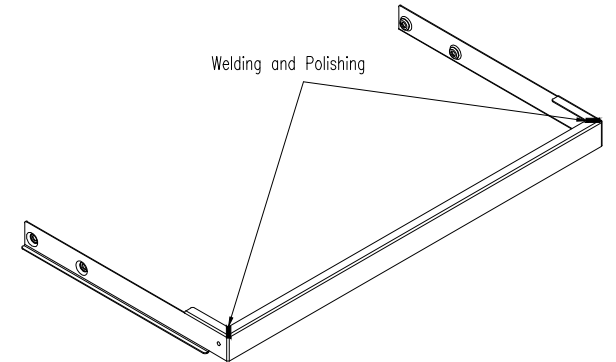
PART 3



SECTION A-A



SECTION B-B
SCALE 5:1



- Notes:
1. Material: SUS304, T=1.2±0.05mm,
 2. Powder coating (outdoor type) for all surfaces except of masking area.
Color: Refer to Ral9006, according to the approved color plate.
Thickness: 60-120um
Masking area: all threaded studs and threaded holes.

YASKAWA
SOLECTRIA SOLAR

PART 4

1

2

3

4

A

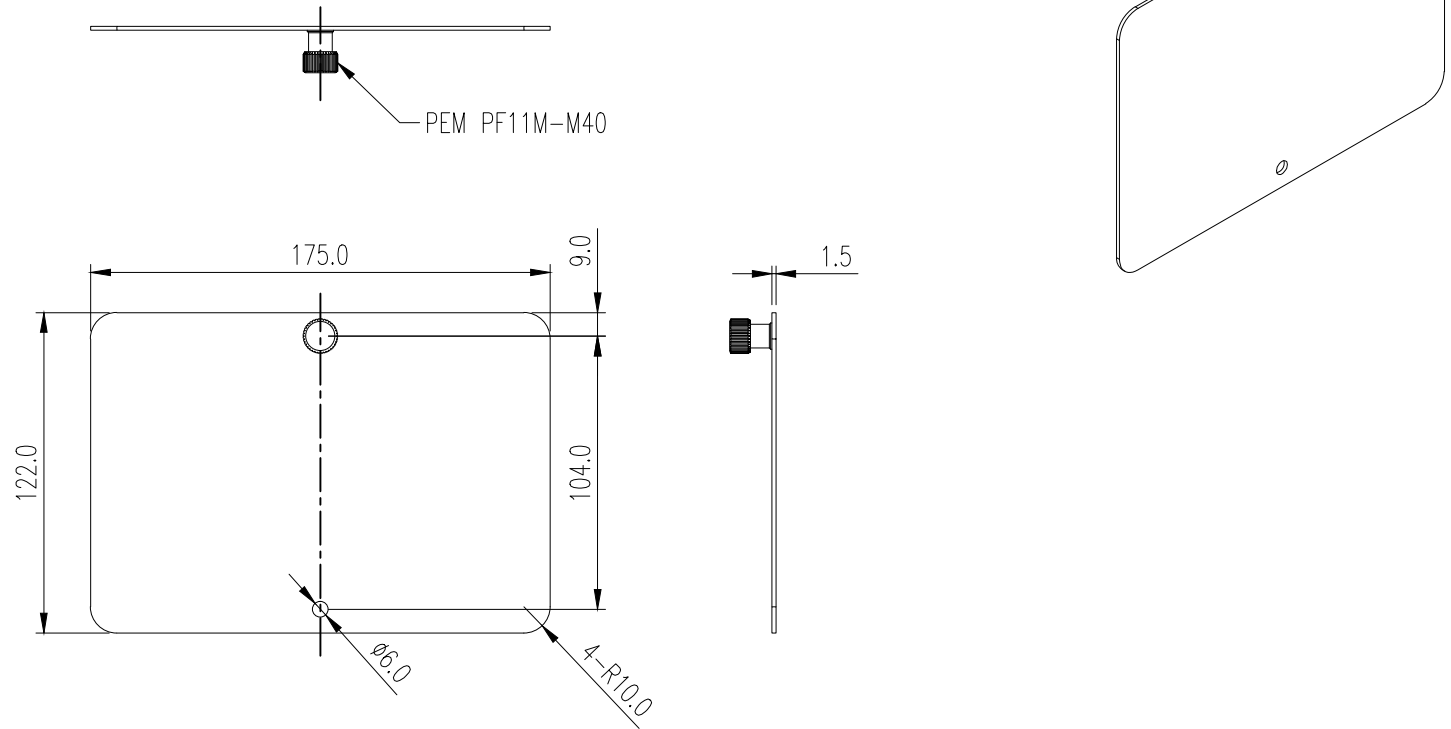
A

B

B

C

C



Notes:

1. Material: SUS304, $T=1.5 \pm 0.05$ mm,

2. Powder coating (outdoor type) for all surfaces except of masking area.
Color: Refer to Ral9006, according to the approved color plate.

Thickness: 60-120um

Masking area: all surfaces of studs.

YASKAWA
SOLECTRIA SOLAR

1

2

3

4