

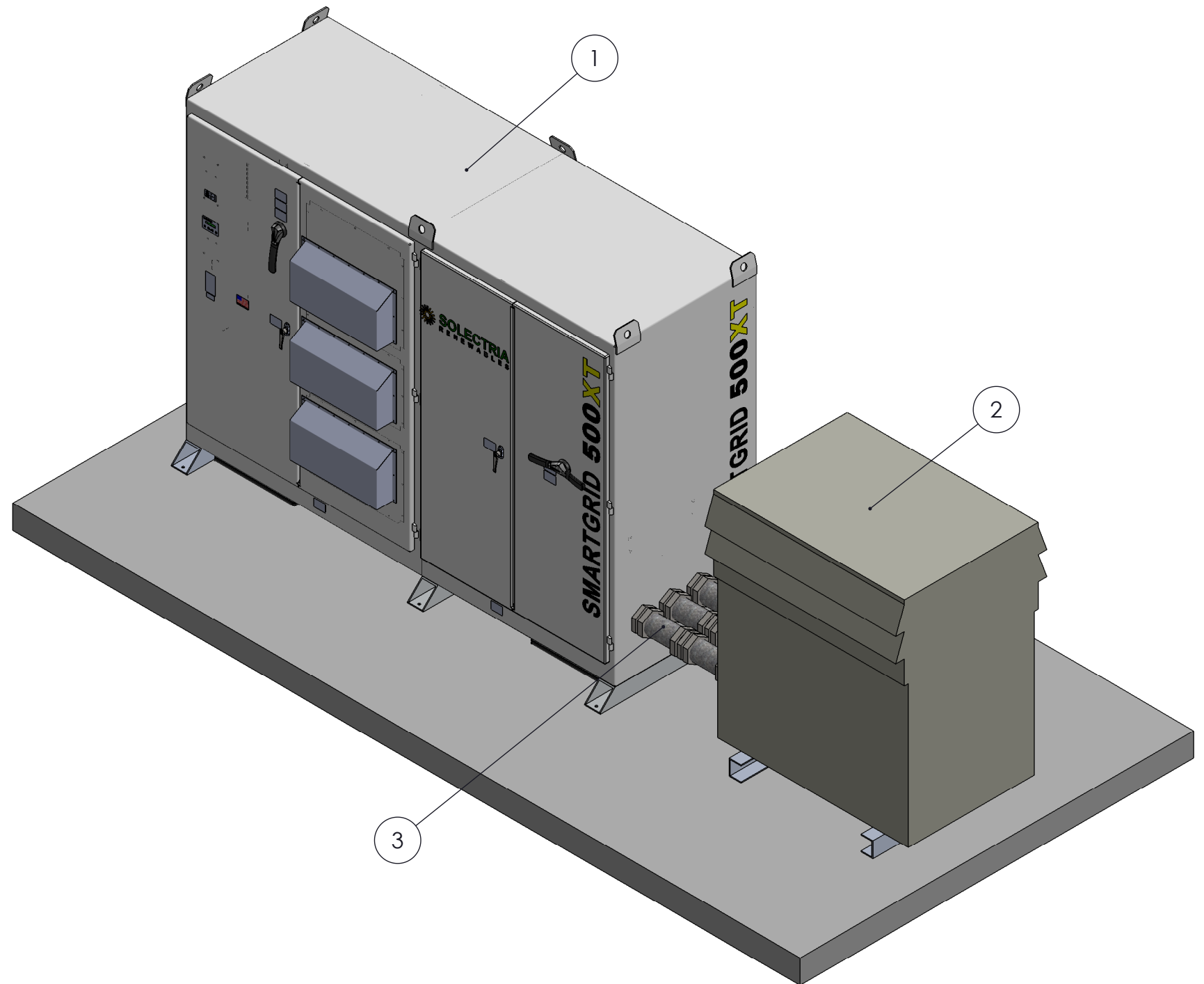
NOTES:

- THIS DOCUMENT IS INTENDED TO ILLUSTRATE THE APPLICATION OF A 600VAC TRANSFORMER WITH OUTDOOR ENCLOSURE WITH A SOLECTRIA RENEWABLES SGI 500XT INVERTER. EXAMPLES OF THE FOLLOWING ARE GIVEN:
 - INVERTER TO TRANSFORMER CONDUIT ROUTING
 - CONDUIT AND CONDUCTOR SIZING
 - VOLTAGE DROP CALCULATIONS
 - ESTIMATED COSTS
- THIS DOCUMENT IS NOT INTENDED TO BE USED AS A FINAL DESIGN DOCUMENT. ADDITIONAL ENGINEERING DESIGN IS REQUIRED TO ACCOUNT FOR LOCAL CODE COMPLIANCE AND MANUFACTURER'S INSTALLATION REQUIREMENTS. IN PARTICULAR, CONDUIT ROUTING AND ENCLOSURE PENETRATIONS SHOULD COMPLY WITH MANUFACTURER'S SUGGESTIONS.
- SUGGESTED TRANSFORMERS WITH OUTDOOR ENCLOSURES ARE LISTED BELOW
 - HAMMOND POWER SOLUTIONS NMK500BP - NEMA 3R ENCLOSURE
 - HAMMOND POWER SOLUTIONS NMK500BPAH8 - NEMA 3R ENHANCED ENCLOSURE

A NEMA 3R ENHANCED ENCLOSURE PROVIDES SUPERIOR PROTECTION TO A NEMA 3R ENCLOSURE BY PREVENTING INGRESS OF CURCULATING DUST AND SNOW. ADDITIONAL TRANSFORMERS WITH OUTDOOR ENCLOSURES CAN BE USED. SEE SOLECTRIA RENEWABLES ESD-ELC-20 FOR FURTHER INFORMATION.

			REVISIONS			
REV	EC#	DESCRIPTION	DRAWN	CHECKED	APPROVED	DATE
A	1100	• INITIAL RELEASE	A. FITZPATRICK	M. KELLY	A. FITZPATRICK	1/17/2014

BOM ID	DESCRIPTION
1	SGI 500XT INVERTER
2	TRANSFORMER WITH OUTDOOR ENCLOSURE
3	CONDUIT, FITTINGS AND CONDUCTORS AS REQUIRED



SOLECTRIA RENEWABLES
WWW.SOLECTRIA.COM

PRODUCT: 600VAC APPLICATION OF EXTERNAL TRANSFORMER FOR SGI 500XT

VIEW: APPLICATION INTRODUCTION

DOCUMENT: DOCR-070368 REV: A

SIZE: **B** ALL DIMENSIONS ARE IN INCHES DO NOT SCALE

CUSTOMER INTERFACE DRAWING

PLEASE NOTE: ALL INFORMATION CONTAINED WITHIN THIS DOCUMENT IS SUBJECT TO CHANGE WITHOUT NOTICE

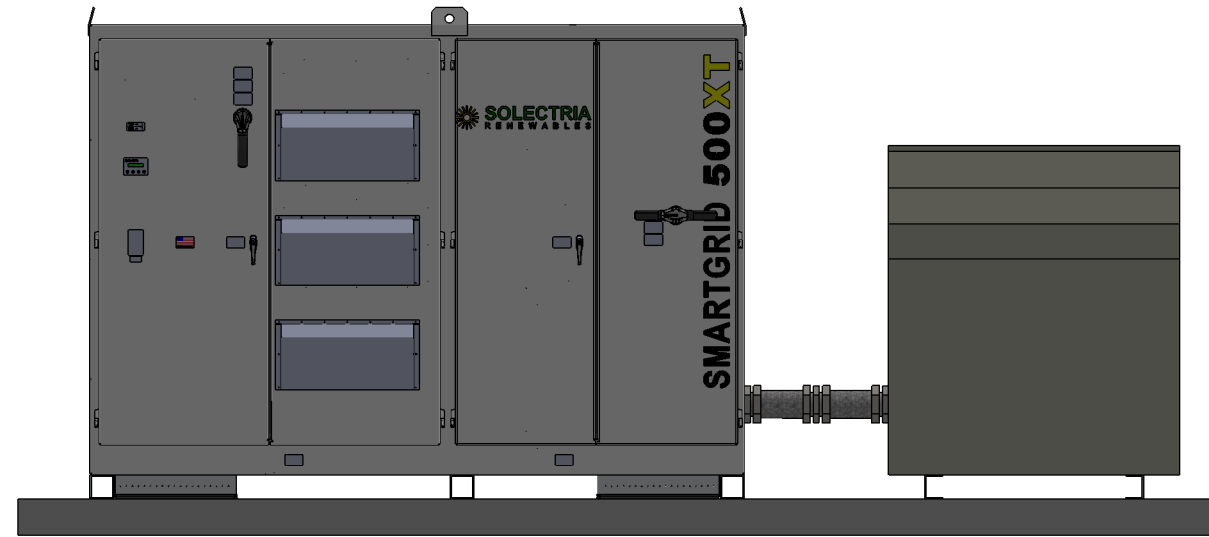
SCALE: 1:24 SHEET 1 OF 8

NOTES:

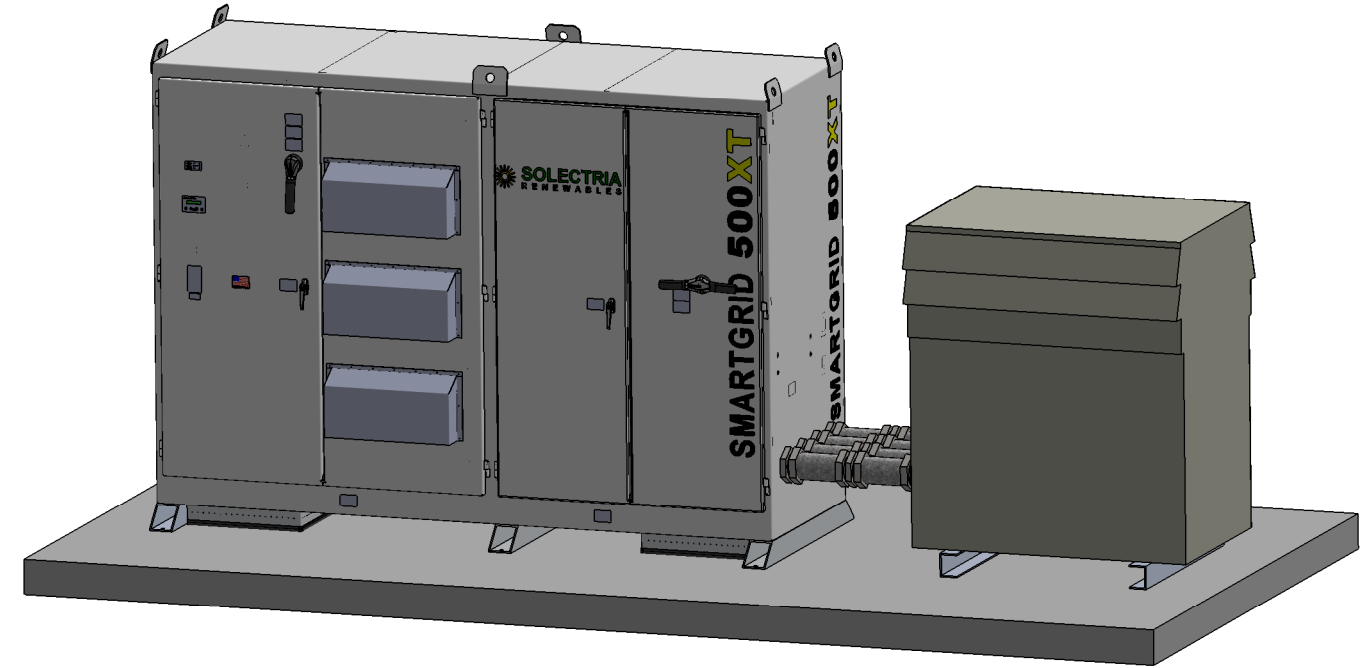
1. EXAMPLE OF INVERTER TO TRANSFORMER CONDUIT ROUTING SHOWN FOR THE FOLLOWING CONFIGURATION:


- TRANSFORMER ENCLOSURE: NEMA 3R (NMK500BP)
- CONDUIT LOCATION: SIDE ENTRY

FRONT VIEW



ANGLED VIEW



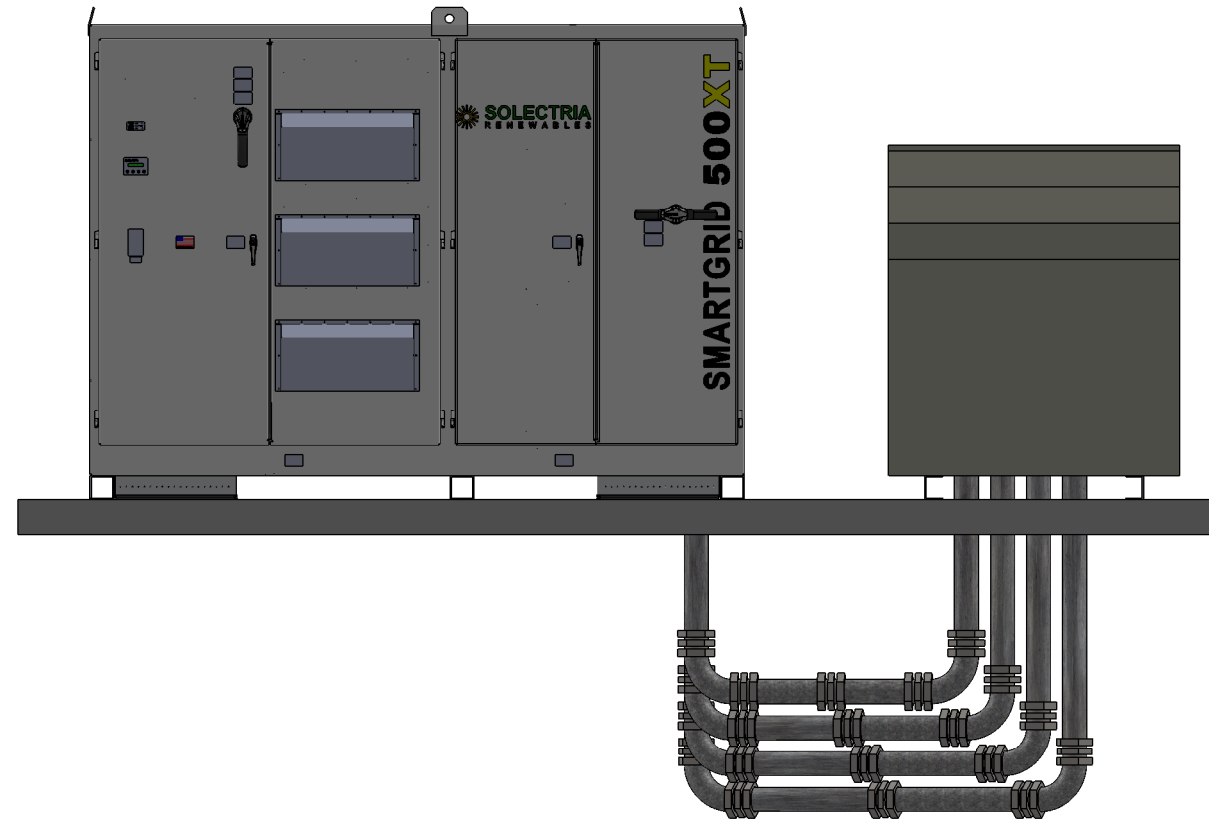
 WWW.SOLECTRIA.COM		
PRODUCT: 600VAC APPLICATION OF EXTERNAL TRANSFORMER FOR SGI 500XT		
VIEW: NEMA 3R ENCLOSURE WITH SIDE ENTRY CONDUIT		
DOCUMENT:	DOCR-070368	REV: A
SIZE: B	ALL DIMENSIONS ARE IN INCHES	DO NOT SCALE
CUSTOMER INTERFACE DRAWING		
PLEASE NOTE: ALL INFORMATION CONTAINED WITHIN THIS DOCUMENT IS SUBJECT TO CHANGE WITHOUT NOTICE		
SCALE: 1:32	SHEET 2 OF 8	

NOTES:

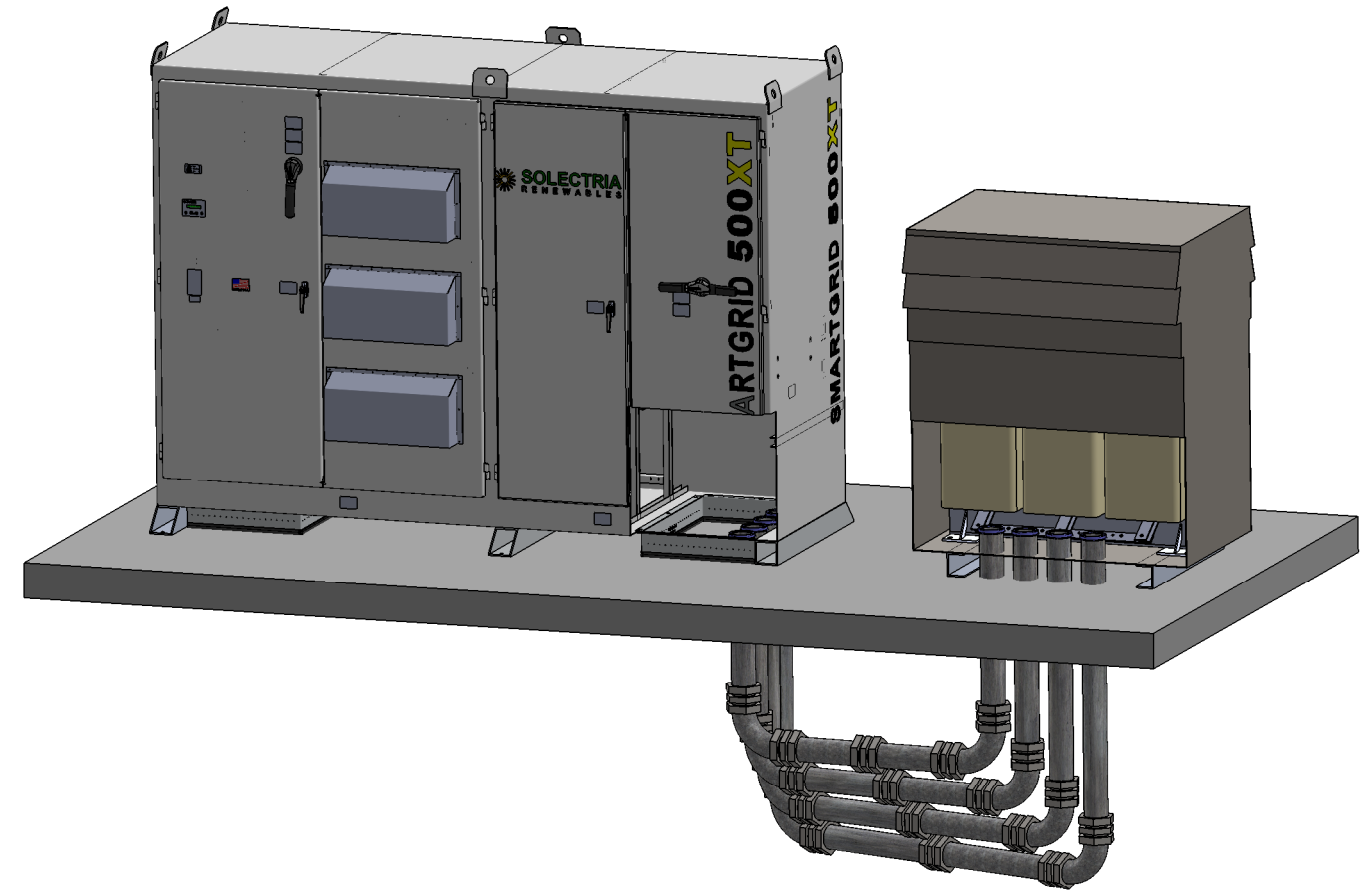
1. EXAMPLE OF INVERTER TO TRANSFORMER CONDUIT ROUTING SHOWN FOR THE FOLLOWING CONFIGURATION:

- TRANSFORMER ENCLOSURE: NEMA 3R (NMK500BP)
- CONDUIT LOCATION: UNDERGROUND


FRONT VIEW



ANGLED VIEW



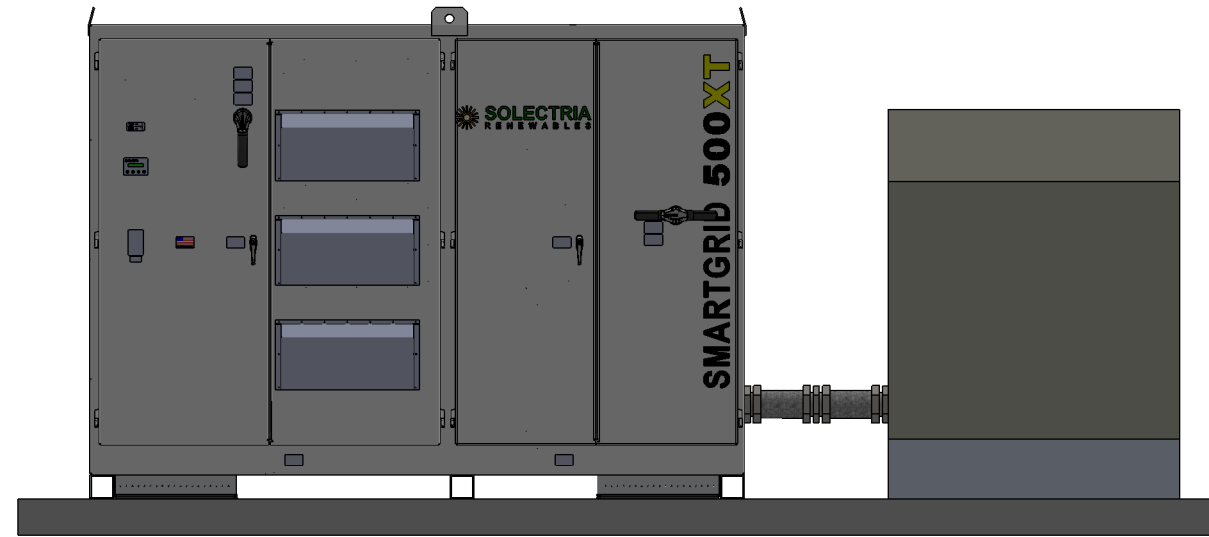
NOTE: CUTAWAY SHOWN FOR CLARITY

 WWW.SOLECTRIA.COM		
PRODUCT: 600VAC APPLICATION OF EXTERNAL TRANSFORMER FOR SGI 500XT		
VIEW: NEMA 3R ENCLOSURE WITH UNDERGROUND CONDUIT		
DOCUMENT:	DOCR-070368	REV: A
SIZE: B	ALL DIMENSIONS ARE IN INCHES	DO NOT SCALE
CUSTOMER INTERFACE DRAWING		
PLEASE NOTE: ALL INFORMATION CONTAINED WITHIN THIS DOCUMENT IS SUBJECT TO CHANGE WITHOUT NOTICE		
SCALE: 1:32	SHEET 3 OF 8	

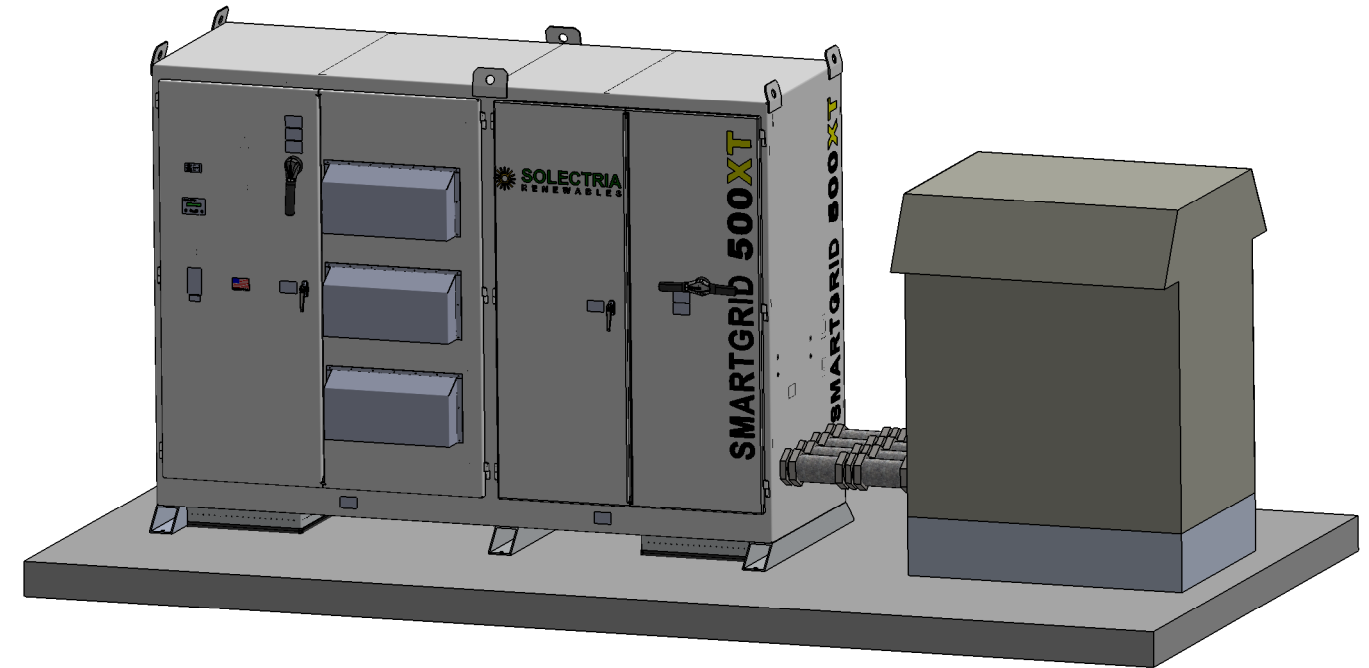
NOTES:


- EXAMPLE OF INVERTER TO TRANSFORMER CONDUIT ROUTING SHOWN FOR THE FOLLOWING CONFIGURATION:
 - TRANSFORMER ENCLOSURE: NEMA 3R ENHANCED (NMK500BPAH8)
 - CONDUIT LOCATION: SIDE ENTRY

FRONT VIEW



ANGLED VIEW

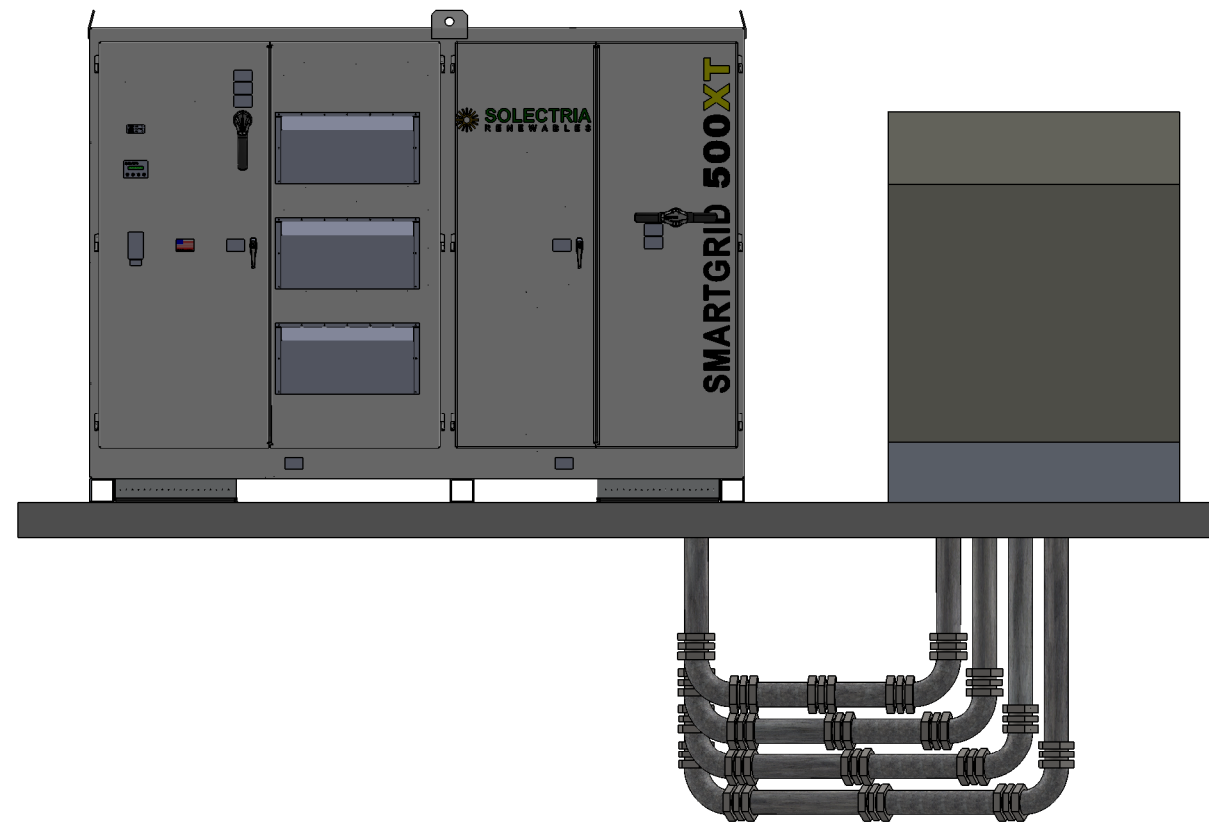


 WWW.SOLECTRIA.COM		
PRODUCT: 600VAC APPLICATION OF EXTERNAL TRANSFORMER FOR SGI 500XT		
VIEW: NEMA 3R ENHANCED ENCLOSURE WITH SIDE ENTRY CONDUIT		
DOCUMENT:	DOCR-070368	REV: A
SIZE: B	ALL DIMENSIONS ARE IN INCHES	DO NOT SCALE
CUSTOMER INTERFACE DRAWING		
PLEASE NOTE: ALL INFORMATION CONTAINED WITHIN THIS DOCUMENT IS SUBJECT TO CHANGE WITHOUT NOTICE		
SCALE: 1:32	SHEET 4 OF 8	

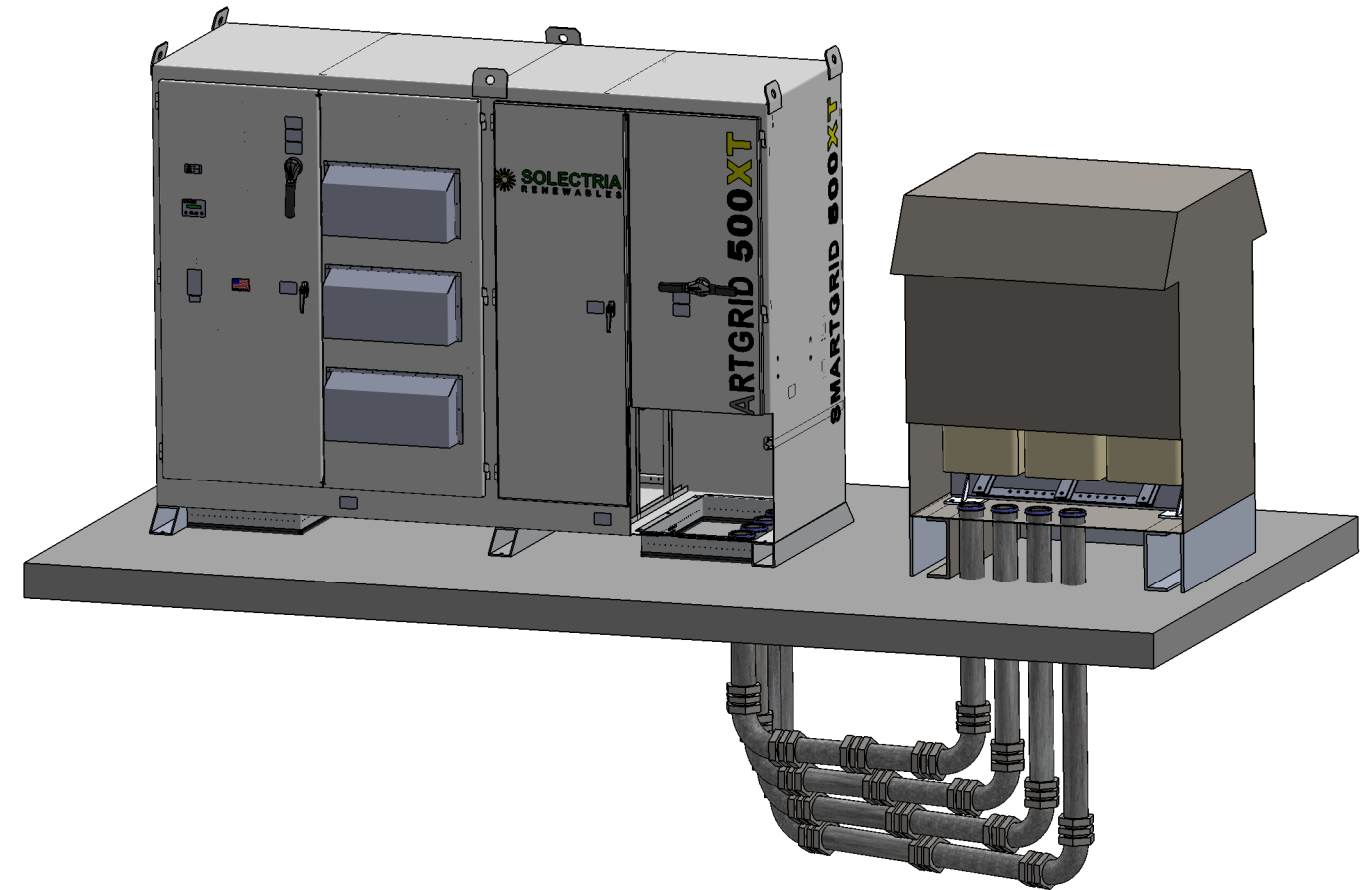
NOTES:

- 1. EXAMPLE OF INVERTER TO TRANSFORMER CONDUIT ROUTING SHOWN FOR THE FOLLOWING CONFIGURATION
 - TRANSFORMER ENCLOSURE: NEMA 3R ENHANCED (NMK500BPAH8)
 - CONDUIT LOCATION: UNDERGROUND

FRONT VIEW



ANGLED VIEW



NOTE: CUTAWAY SHOWN FOR CLARITY



PRODUCT: 600VAC APPLICATION OF EXTERNAL TRANSFORMER FOR SGI 500XT		
VIEW: NEMA 3R ENHANCED ENCLOSURE WITH UNDERGROUND CONDUIT		
DOCUMENT:	DOCR-070368	REV: A
SIZE:	B	ALL DIMENSIONS ARE IN INCHES
DO NOT SCALE		
CUSTOMER INTERFACE DRAWING		
PLEASE NOTE: ALL INFORMATION CONTAINED WITHIN THIS DOCUMENT IS SUBJECT TO CHANGE WITHOUT NOTICE		
SCALE:	1:32	SHEET 5 OF 8

CONDUIT AND CONDUCTOR SIZING AND ESTIMATED COSTS

INVERTER CONTINUOUS OUTPUT CURRENT (A)	1387
125% OF INVERTER CONTINUOUS OUTPUT CURRENT (A)	1734
OCPD RATING (A)	1800
CONDUCTOR AMPACITY REQUIREMENT (A)	1800

CONDUIT SIZING AND COST FOR COPPER CONDUCTORS													
CONDUCTOR SIZING				CONDUIT SIZING				ESTIMATED COST, NEMA 3R TRANSFORMER ENCLOSURE ³			ESTIMATED COST, NEMA 3R ENHANCED TRANSFORMER ENCLOSURE ⁴		
NUMBER OF PARALLEL SETS OF (3) PHASE CONDUCTORS	PHASE CONDUCTOR SIZE (KCMIL) ¹	EQUIPMENT GROUNDING CONDUCTOR SIZE (KCMIL) ²	TOTAL AMPACITY (A) ¹	CONDUIT CROSS SECTIONAL AREA REQUIRED, 40% FILL, RHW-2 (mm ²)	CONDUIT SIZE, EMT (METRIC DESIGNATOR)	CONDUIT SIZE, RMC (METRIC DESIGNATOR)	CONDUIT SIZE, PVC SCH. 80 (METRIC DESIGNATOR)	EMT	RMC	PVC SCH. 80	EMT	RMC	PVC SCH. 80
4	700	250	1840	7576	103	103	129	\$19,218	\$19,928	\$19,596	\$22,602	\$23,312	\$22,979
5	500	250	1900	5893	91	91	103	\$17,558	\$18,328	\$17,271	\$20,942	\$21,712	\$20,655
6	350	250	1860	4823	78	78	91	\$17,038	\$17,817	\$16,722	\$20,422	\$21,201	\$20,106

CONDUIT SIZING AND COST FOR ALUMINUM CONDUCTORS													
CONDUCTOR SIZING				CONDUIT SIZING				ESTIMATED COST, NEMA 3R TRANSFORMER ENCLOSURE ³			ESTIMATED COST, NEMA 3R ENHANCED TRANSFORMER ENCLOSURE ⁴		
NUMBER OF PARALLEL SETS OF (3) PHASE CONDUCTORS	PHASE CONDUCTOR SIZE (KCMIL) ¹	EQUIPMENT GROUNDING CONDUCTOR SIZE (KCMIL) ²	TOTAL AMPACITY (A) ¹	CONDUIT CROSS SECTIONAL AREA REQUIRED, 40% FILL, XHHW-2 (mm ²)	CONDUIT SIZE, EMT (METRIC DESIGNATOR)	CONDUIT SIZE, RMC (METRIC DESIGNATOR)	CONDUIT SIZE, PVC SCH. 80 (METRIC DESIGNATOR)	EMT	RMC	PVC SCH. 80	EMT	RMC	PVC SCH. 80
5	700	400	1875	5734	91	91	103	\$15,295	\$16,065	\$15,009	\$18,679	\$19,449	\$18,392
6	500	400	1860	4312	78	78	91	\$14,998	\$15,777	\$14,682	\$18,382	\$19,161	\$18,066



PRODUCT: 600VAC APPLICATION OF EXTERNAL TRANSFORMER FOR SGI 500XT		
VIEW: CONDUIT AND CONDUCTOR SIZING AND ESTIMATED COSTS		
DOCUMENT: DOCR-070368	REV: A	
SIZE: B	ALL DIMENSIONS ARE IN INCHES	DO NOT SCALE
CUSTOMER INTERFACE DRAWING		
PLEASE NOTE: ALL INFORMATION CONTAINED WITHIN THIS DOCUMENT IS SUBJECT TO CHANGE WITHOUT NOTICE		
SCALE: 1:32	SHEET 6 OF 8	

TABLE FOOTNOTES:

- 30°C AMBIENT TEMPERATURE, 75°C CONDUCTORS AND TERMINATION TEMPERATURE, NOT MORE THAN (3) CURRENT CARRYING CONDUCTORS IN A RACEWAY
- ONE EGC PER CONDUIT, 1800A OCPD
- 25 FOOT RUN, INCLUDES CONDUCTORS, CONDUIT, BASIC FITTINGS AND EXTERNAL TRANSFORMER WITH NEMA 3R RATING
- 25 FOOT RUN, INCLUDES CONDUCTORS, CONDUIT, BASIC FITTINGS AND EXTERNAL TRANSFORMER WITH ENHANCED NEMA 3R RATING


VOLTAGE DROP CALCULATIONS

VOLTAGE DROP FOR COPPER CONDUCTORS												
CONDUCTOR SIZING				VOLTAGE DROP, 3 METER RUN ³			VOLTAGE DROP, 7.5 METER RUN ³			VOLTAGE DROP, 30 METER RUN ³		
NUMBER OF PARALLEL SETS OF (3) PHASE CONDUCTORS	PHASE CONDUCTOR SIZE (KCMIL) ¹	EQUIPMENT GROUNDING CONDUCTOR SIZE (KCMIL) ²	TOTAL AMPACITY (A) ¹	PVC CONDUIT	ALUMINUM CONDUIT	STEEL CONDUIT	PVC CONDUIT	ALUMINUM CONDUIT	STEEL CONDUIT	PVC CONDUIT	ALUMINUM CONDUIT	STEEL CONDUIT
4	700	250	1840	0.02%	0.02%	0.02%	0.05%	0.06%	0.05%	0.19%	0.24%	0.21%
5	500	250	1900	0.02%	0.03%	0.02%	0.05%	0.06%	0.06%	0.22%	0.26%	0.23%
6	350	250	1860	0.03%	0.03%	0.03%	0.06%	0.07%	0.07%	0.25%	0.29%	0.26%

VOLTAGE DROP FOR ALUMINUM CONDUCTORS												
CONDUCTOR SIZING				VOLTAGE DROP, 3 METER RUN ³			VOLTAGE DROP, 7.5 METER RUN ³			VOLTAGE DROP, 30 METER RUN ³		
NUMBER OF PARALLEL SETS OF (3) PHASE CONDUCTORS	PHASE CONDUCTOR SIZE (KCMIL) ¹	EQUIPMENT GROUNDING CONDUCTOR SIZE (KCMIL) ²	TOTAL AMPACITY (A) ¹	PVC CONDUIT	ALUMINUM CONDUIT	STEEL CONDUIT	PVC CONDUIT	ALUMINUM CONDUIT	STEEL CONDUIT	PVC CONDUIT	ALUMINUM CONDUIT	STEEL CONDUIT
5	700	400	1875	0.02%	0.03%	0.02%	0.06%	0.07%	0.06%	0.23%	0.27%	0.25%
6	500	400	1860	0.03%	0.03%	0.03%	0.07%	0.08%	0.08%	0.29%	0.32%	0.30%

TABLE FOOTNOTES:

- 30°C AMBIENT TEMPERATURE, 75°C CONDUCTORS AND TERMINATION TEMPERATURE, NOT MORE THAN (3) CURRENT-CARRYING CONDUCTORS IN A RACEWAY
- ONE EGC PER CONDUIT, 1800A OCPD
- 500KW, POWER FACTOR OF 1.0, NOMINAL SYSTEM VOLTAGE OF 600VAC, BALANCED SYSTEM

 WWW.SOLECTRIA.COM		
PRODUCT: 600VAC APPLICATION OF EXTERNAL TRANSFORMER FOR SGI 500XT		
VIEW: VOLTAGE DROP CALCULATIONS		
DOCUMENT:	DOCR-070368	REV: A
SIZE: B	ALL DIMENSIONS ARE IN INCHES	DO NOT SCALE
CUSTOMER INTERFACE DRAWING		
PLEASE NOTE: ALL INFORMATION CONTAINED WITHIN THIS DOCUMENT IS SUBJECT TO CHANGE WITHOUT NOTICE		
SCALE: 1:32	SHEET 7 OF 8	

SUGGESTED TRANSFORMER WITH OUTDOOR ENCLOSURE DETAILS

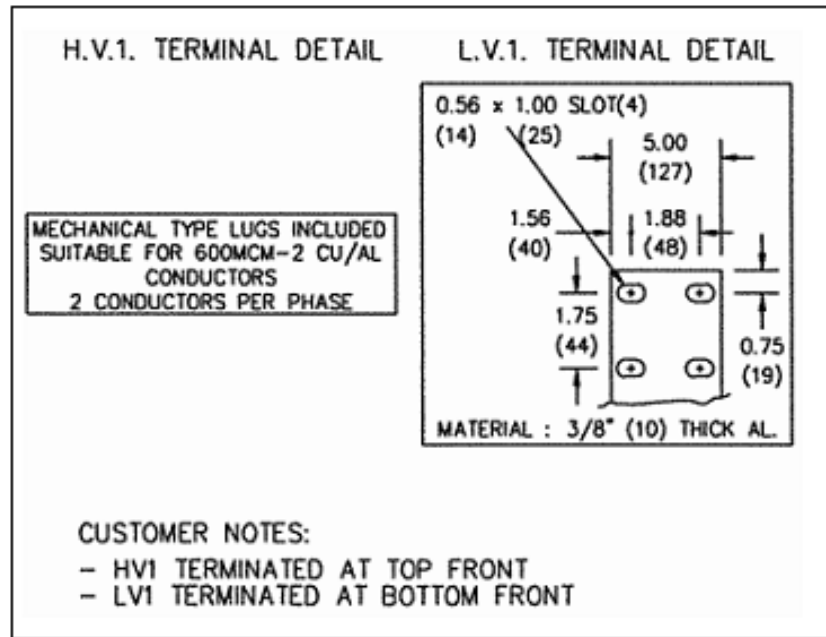
NOTES:

- FOR ADDITIONAL INFORMATION CONTACT TRANSFORMER MANUFACTURER.

INFORMATION FROM:



TRANSFORMER TERMINAL SPECIFICATIONS



TRANSFORMER NAMEPLATE

Hammond Power Solutions Inc.
 GUELPH, ONT. BARABOO, WI COMPTON, CA MONTERREY, MX

HPS SENTINEL
 ENERGY EFFICIENT GENERAL PURPOSE DISTRIBUTION ISOLATION TRANSFORMER

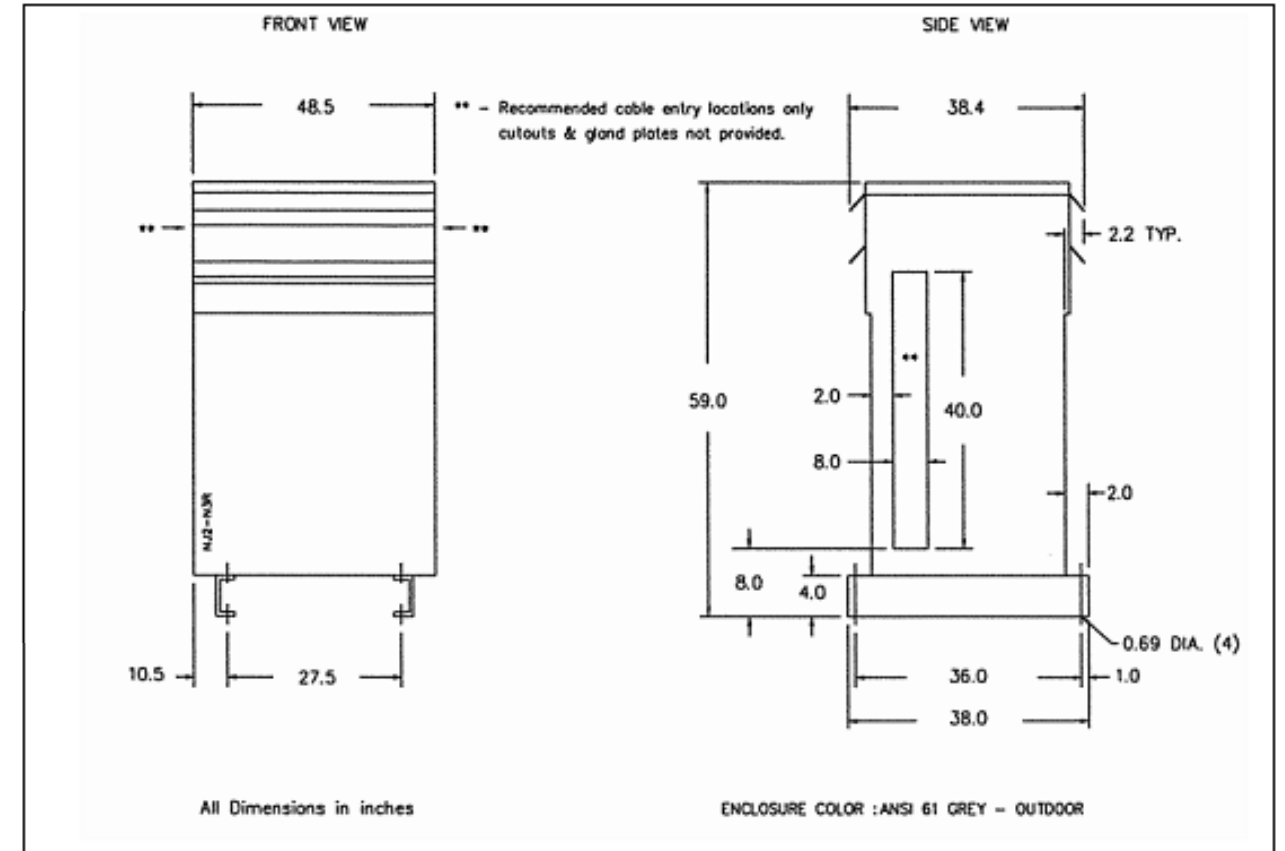
HI/HT	600Y/346V			Cust. Ref.	
BIL	-			Serial No.	
TERM. BORNES	H0 H1 H2 H3			Part No.	NMK500BP
				Phase	3
				TYPE	K
				Cooling	ANN
				kVA	500
				Temp. Rise	150 °C
				Temp. Class	220 °C
				Frequency	60 Hz
				Impédance X ₀	4.8
				Encl. Type	NEMA-3R
				Wt LBS	2500
				Winding	AL
				Energy Regulations	DOE 10 CFR PART 431
				Reglements de Energetique	CEE ACT SOR/94/651

LV/BT: 208V

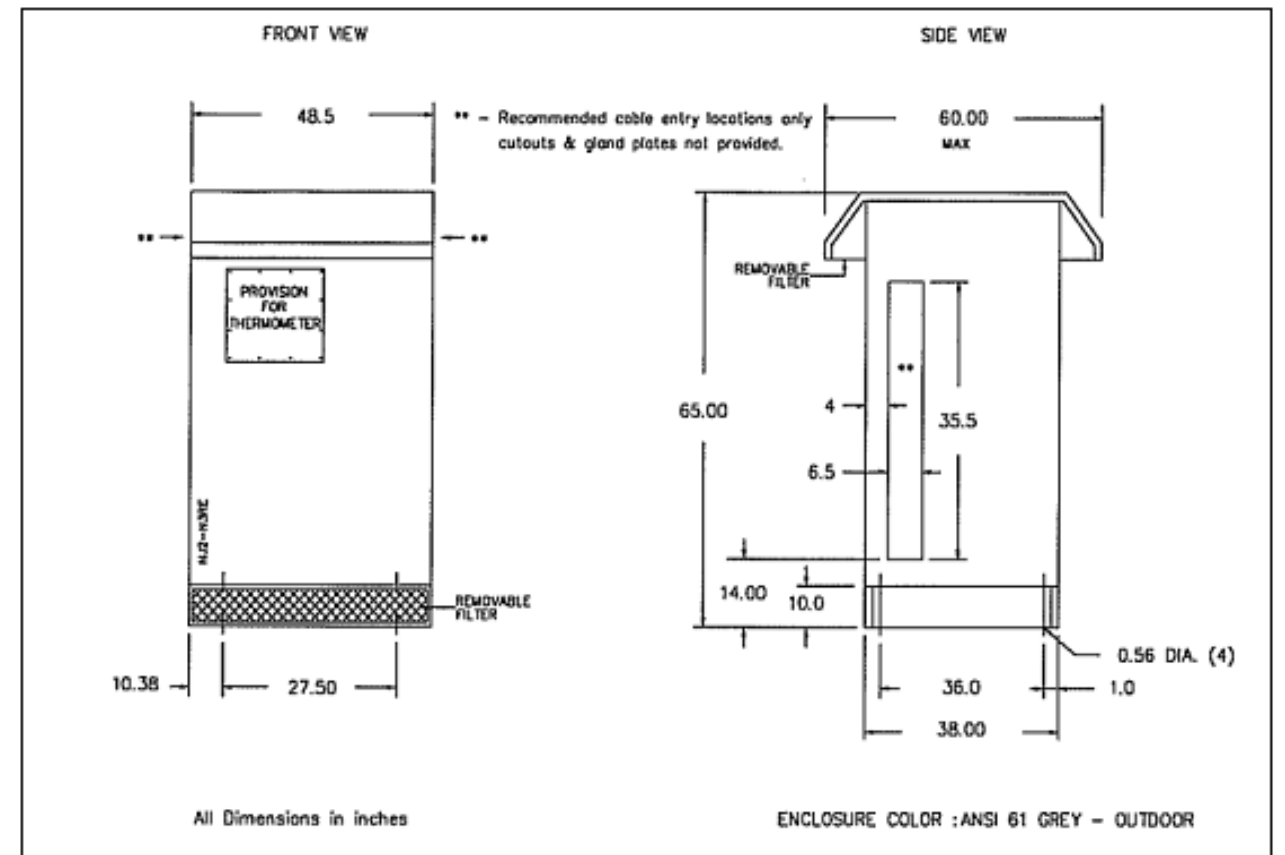
TERM. BORNES: X1 X2 X3

ALSO VERIFIED IN ACCORDANCE TO ENERGY STANDARD C922-06 BY UNDERWRITERS LABORATORIES INC. © JVA6
 SPACINGS BETWEEN ANY VENTILATED ENCLOSURE PANEL AND ANY ADJACENT WALL SHALL BE A MINIMUM OF 12 INCHES

NEMA 3R ENCLOSURE SPECIFICATIONS



NEMA 3R ENHANCED ENCLOSURE SPECIFICATIONS



PRODUCT:		600VAC APPLICATION OF EXTERNAL TRANSFORMER FOR SGI 500XT	
VIEW:		TRANSFORMER DETAILS	
DOCUMENT:	DOCR-070368	REV:	A
SIZE:	B	ALL DIMENSIONS ARE IN INCHES	DO NOT SCALE
CUSTOMER INTERFACE DRAWING			
PLEASE NOTE: ALL INFORMATION CONTAINED WITHIN THIS DOCUMENT IS SUBJECT TO CHANGE WITHOUT NOTICE			
SCALE:	1:32	SHEET	8 OF 8