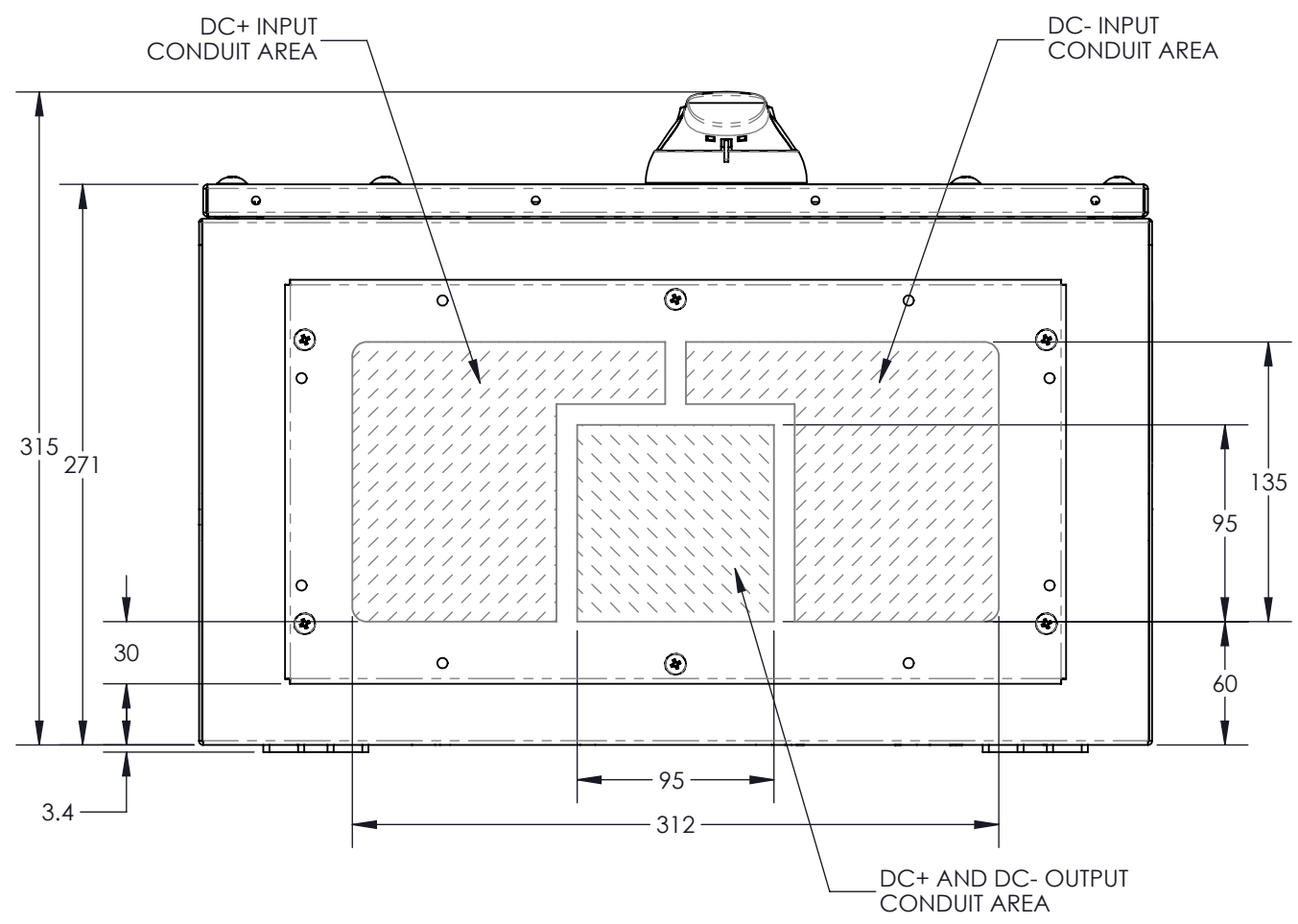
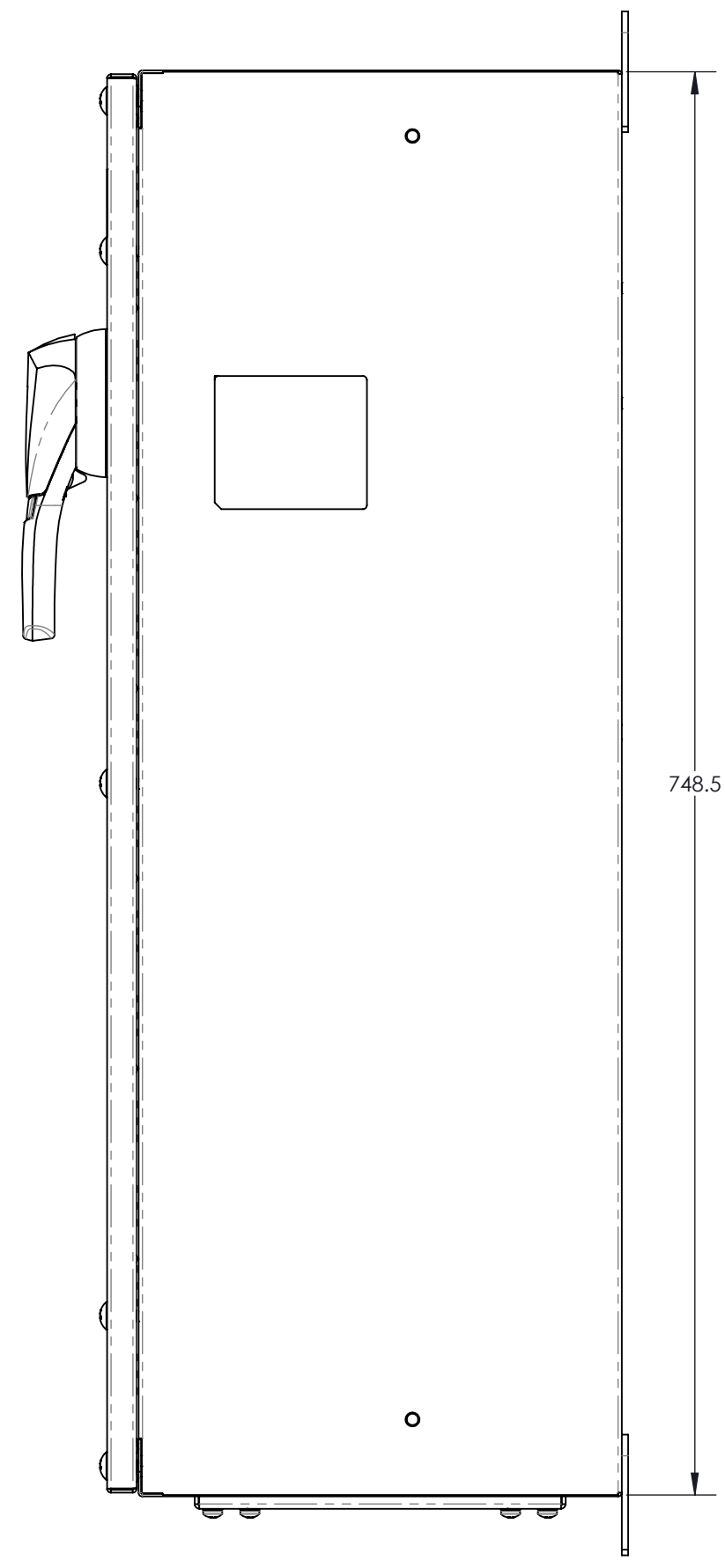
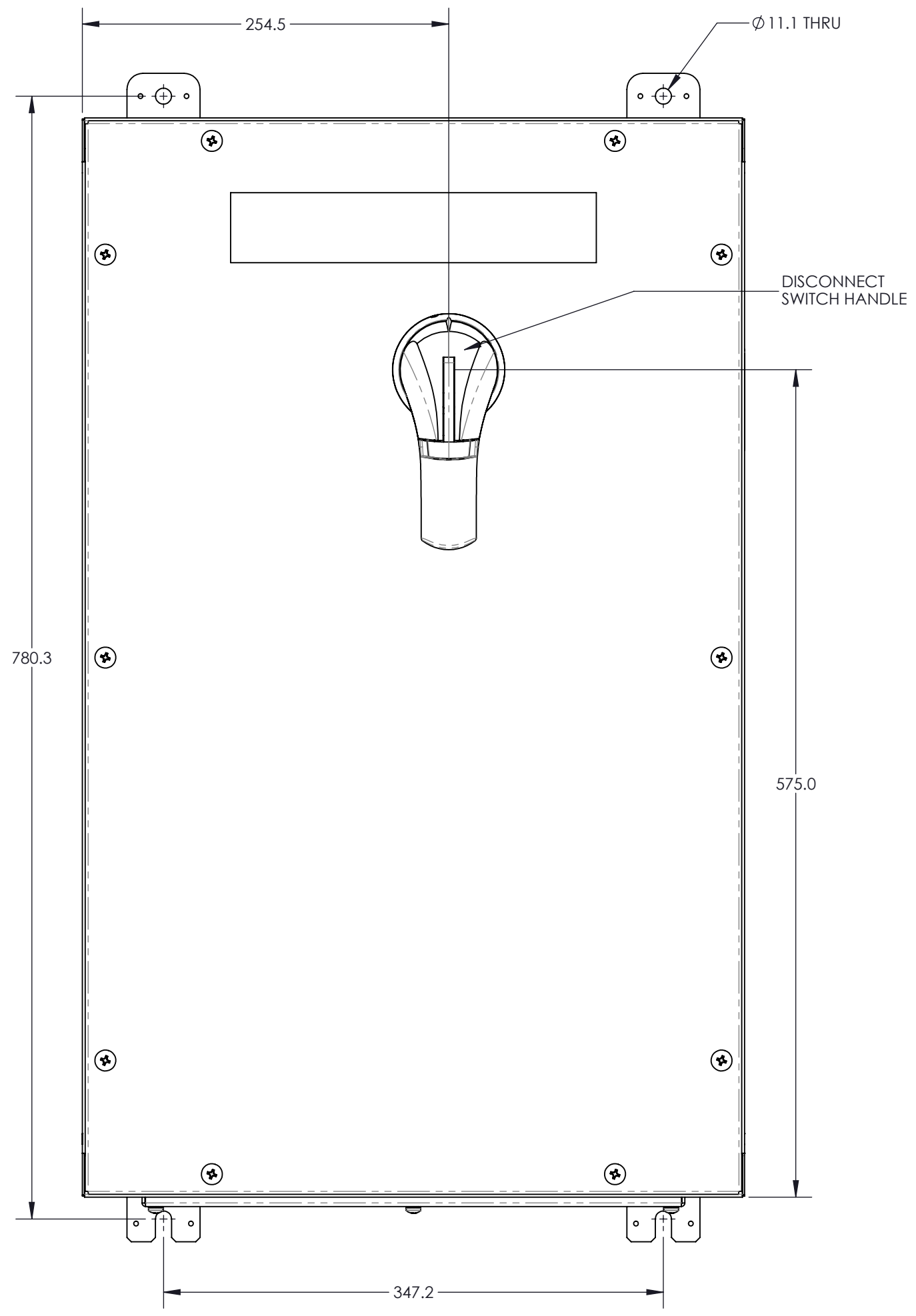


REV		EC#	DESCRIPTION	REVISIONS		DRAWN	DATE
0	-	-	INITIAL RELEASE			A. MARINELLA	12/1/2020

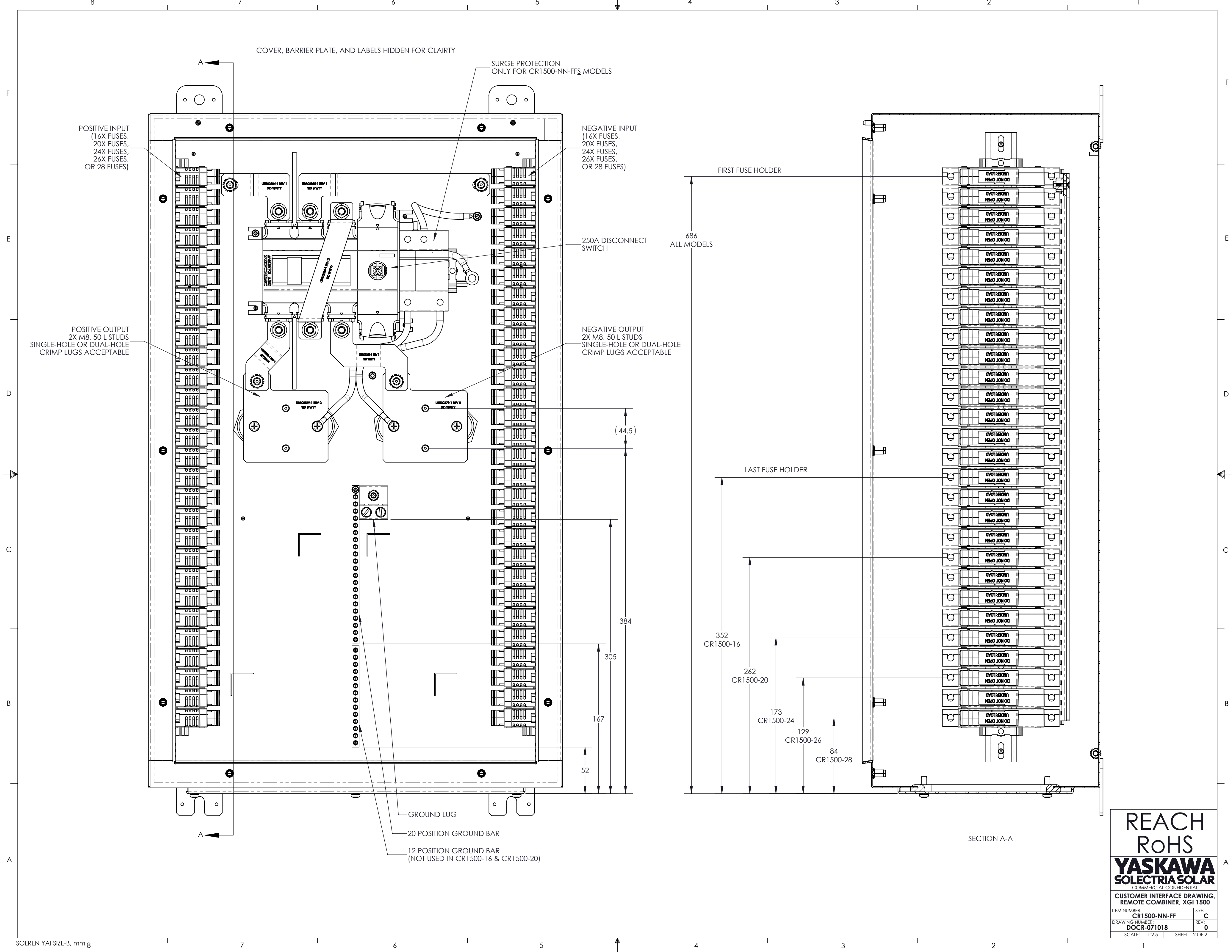


- NOTES:
- SEE INSTALLATION AND OPERATION MANUAL FOR XGI 1500 ATTACHED COMBINER FOR FURTHER INSTALLATION REQUIREMENTS.
  - THE 28-POSITION MODEL IS SHOWN IN ALL IMAGES. OTHER AVAILABLE FUSE POSITION QUANTITIES ARE 16, 20, 24, AND 26.

GENERAL TOLERANCES: X ±1 XX ±0.5 XXX ±0.1 XXXX ±0.05 ANGLES ±1.0	BREAK ALL SHARP EDGES AND DEBURK DRAWING PER ASME Y14.5-2014	DESIGNED DRAWN CHECKED APPROVED	A. MARINELLA A. MARINELLA C. ROYER C. ROYER	11/24/2020 11/24/2020 12/1/2020 12/1/2020
3RD ANGLE PROJECTION	SURFACE FINISH	MATERIAL	NOT APPLICABLE	
		FINISH	NOT APPLICABLE	
		MASS	9.8 kg	ITEM NUMBER: CR1500-NN-FF
		FIRST USED	XGI 1500	SIZE: C
THIS DOCUMENT AND INFORMATION CONTAINED IN IT ARE CONFIDENTIAL AND CANNOT BE COPIED OR DISCLOSED IN WHOLE OR IN PART WITHOUT EXPRESSED WRITTEN CONSENT OF YASKAWA SOLECTRIA SOLAR		DIMENSIONS ARE IN MILLIMETERS	DO NOT UPDATE MANUALLY	DO NOT SCALE
		DRAWING NUMBER: DOCR-071018	REVISION: 0	SCALE: 1:3.5
		SHEET 1 OF 2		

REACH  
RoHS  
YASKAWA  
SOLECTRIA SOLAR  
COMMERCIAL CONFIDENTIAL

CUSTOMER INTERFACE DRAWING,  
REMOTE COMBINER, XGI 1500



COVER, BARRIER PLATE, AND LABELS HIDDEN FOR CLAIRTY

SURGE PROTECTION  
ONLY FOR CR1500-NN-FFS MODELS

POSITIVE INPUT  
(16X FUSES,  
20X FUSES,  
24X FUSES,  
26X FUSES,  
OR 28 FUSES)

NEGATIVE INPUT  
(16X FUSES,  
20X FUSES,  
24X FUSES,  
26X FUSES,  
OR 28 FUSES)

POSITIVE OUTPUT  
2X M8, 50 L STUDS  
SINGLE-HOLE OR DUAL-HOLE  
CRIMP LUGS ACCEPTABLE

NEGATIVE OUTPUT  
2X M8, 50 L STUDS  
SINGLE-HOLE OR DUAL-HOLE  
CRIMP LUGS ACCEPTABLE

250A DISCONNECT  
SWITCH

FIRST FUSE HOLDER

686  
ALL MODELS

LAST FUSE HOLDER

(44.5)

384

305

167

52

352  
CR1500-16

262  
CR1500-20

173  
CR1500-24

129  
CR1500-26

84  
CR1500-28

GROUND LUG  
20 POSITION GROUND BAR  
12 POSITION GROUND BAR  
(NOT USED IN CR1500-16 & CR1500-20)

SECTION A-A

**REACH**  
**RoHS**  
**YASKAWA**  
**SOLECTRIA SOLAR**  
COMMERCIAL CONFIDENTIAL  
CUSTOMER INTERFACE DRAWING  
REMOTE COMBINER, XGI 1500

ITEM NUMBER: <b>CR1500-NN-FF</b>	SIZE: <b>C</b>
DRAWING NUMBER: <b>DOCR-071018</b>	REV: <b>0</b>
SCALE: 1:2.5	SHEET 2 OF 2