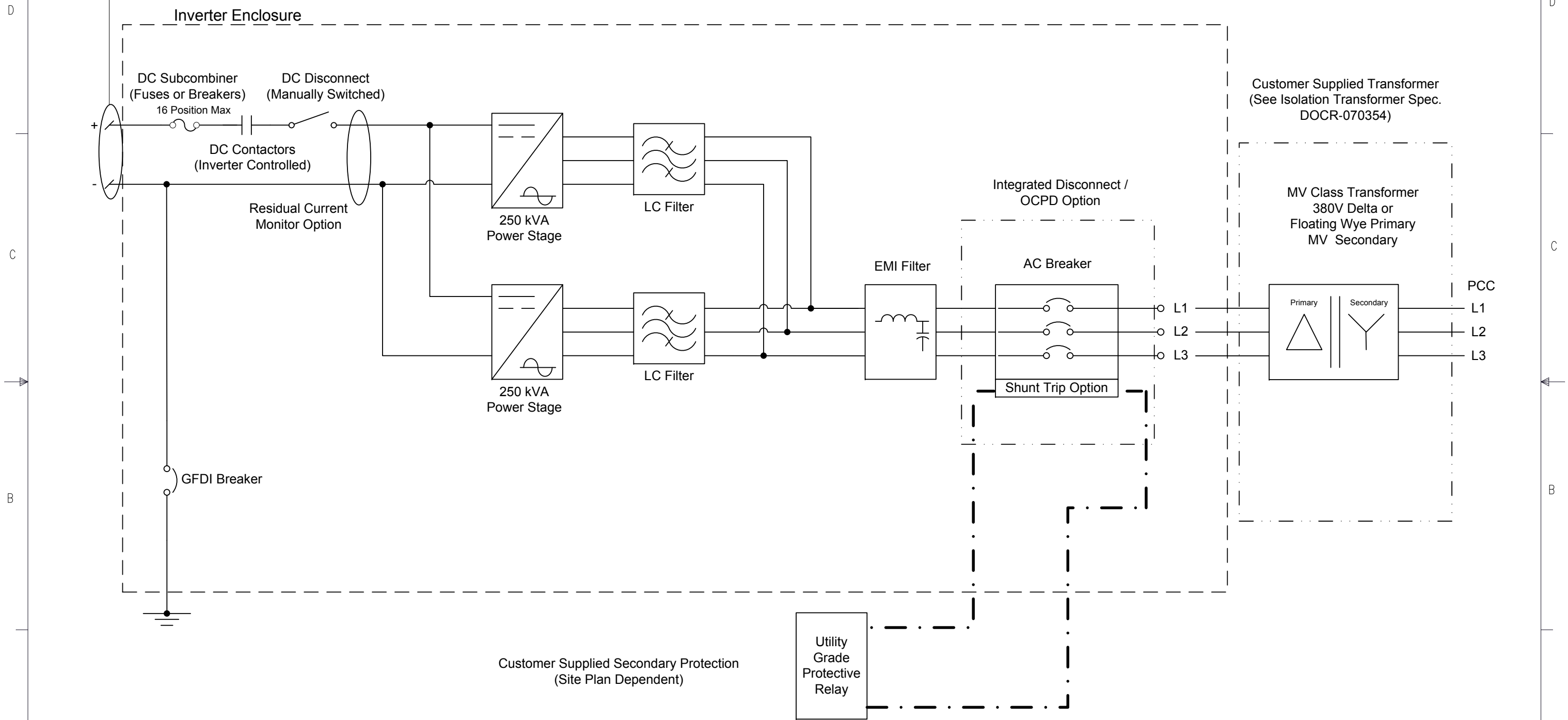



REVISIONS				
REV	EC #	DESCRIPTION	DRAWN	DATE
A	1019	INITIAL RELEASE	J.FILLION	11/14/2014

Typical Internal Circuit Diagram for Solectria SGI 500XTM Grid-Tied Inverters



Customer Supplied Secondary Protection
(Site Plan Dependent)

Utility
Grade
Protective
Relay

DESIGNED	J. FILLION	11-14-14	 WWW.SOLECTRIA.COM COMMERCIAL CONFIDENTIAL
DRAWN	J. FILLION	11-14-14	
ME CHECKED			
EE CHECKED			
<small>THE INFORMATION CONTAINED IN THIS DRAWING IS THE SOLE PROPERTY OF SOLECTRIA RENEWABLES. ANY REPRODUCTION IN PART OR AS A WHOLE WITHOUT THE WRITTEN PERMISSION OF SOLECTRIA IS PROHIBITED. UNCONTROLLED COPY, REFER TO THE SOLECTRIA RENEWABLES CONTROLLED DOCUMENT DATABASE FOR VERIFICATION OF CURRENT REVISION LEVEL.</small>			TYPICAL INTERNAL CIRCUIT DIAGRAM FOR SOLECTRIA SGI 500XTM GRID-TIED INVERTER
DIMENSIONS ARE IN	DO NOT UPDATE MANUALLY	DO NOT SCALE	SIZE: B PART NO. DOCR-070493 SCALE: 1:1
			REV: A SHEET 1 OF 1