

6

5

4

3

2

1

PRODUCT MASS

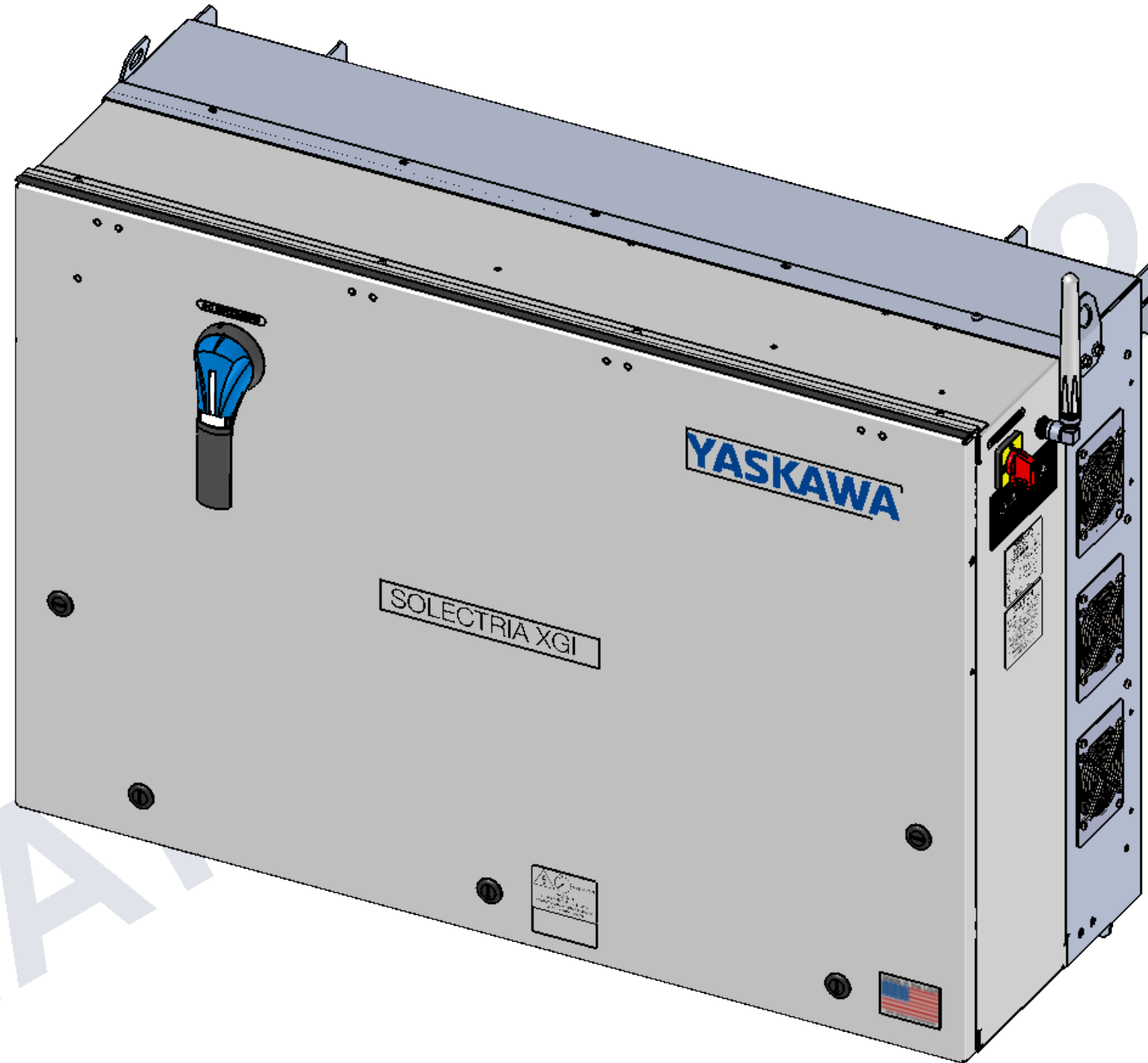
INSTALLED MASS:	132	KG	290	LB
SHIPPING MASS:	157	KG	346	LB

PACKAGING DIMENSIONS (L X W X H)

INVERTER PACKAGING	[46 x 40 x 30] 1168 x 1006 x 756
PALLET	[46 x 40 x 10] 1168 x 1006 x 254

SHIPPING MASS FOR ONE COMPLETE UNIT PACKAGED ON A PALLET


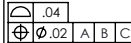
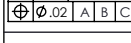
REVISIONS			DRAWN	DATE
REV	EC#	DESCRIPTION	A. MARINELLA	7/8/2022
0	-	INITIAL RELEASE		



D
C
B
A

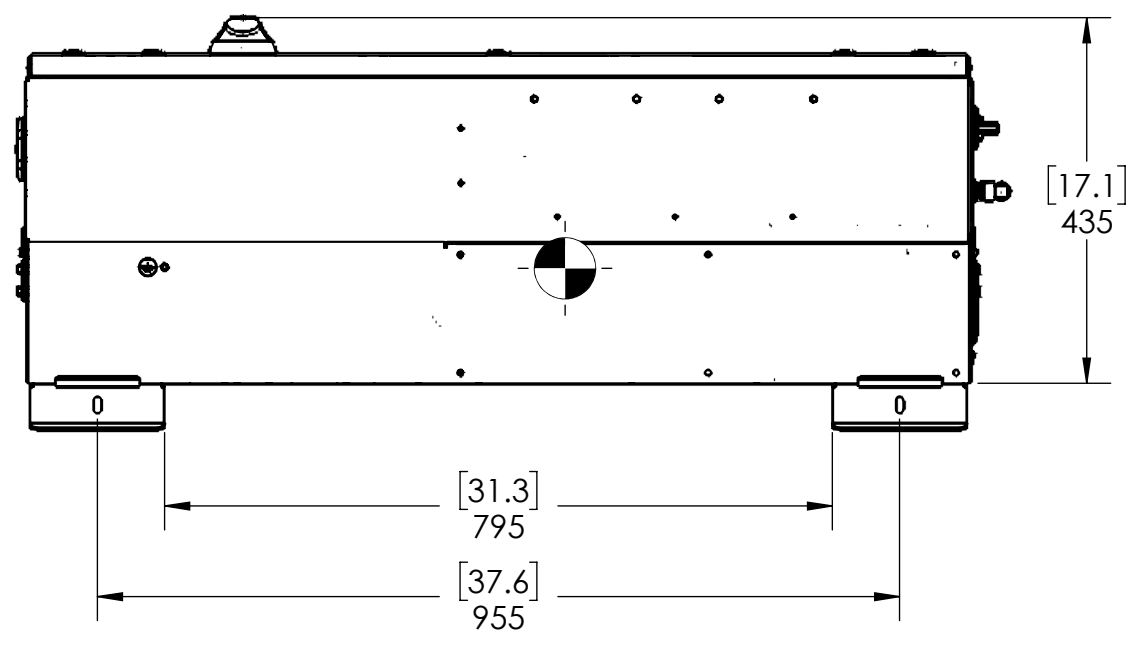
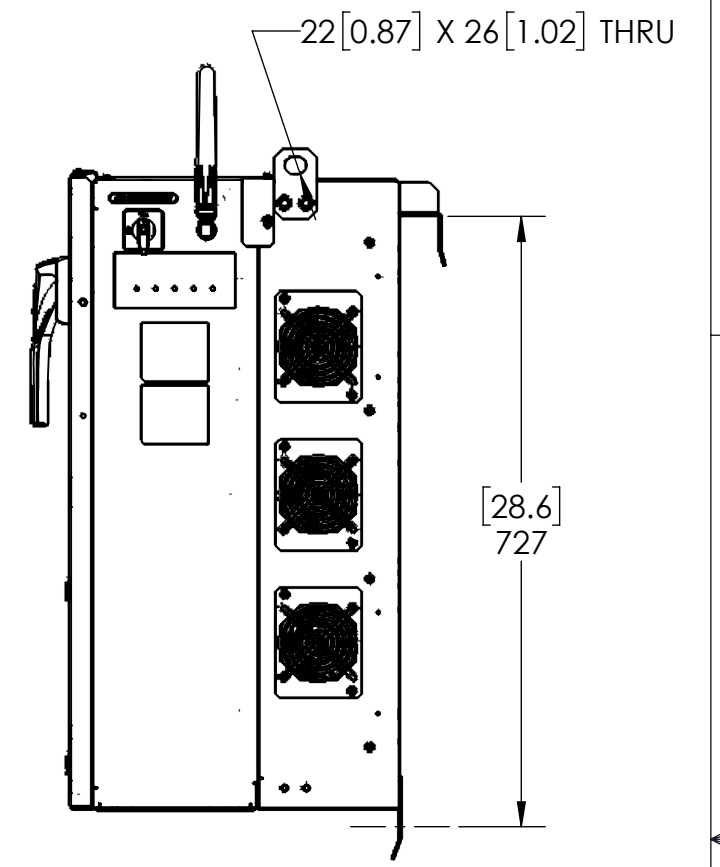
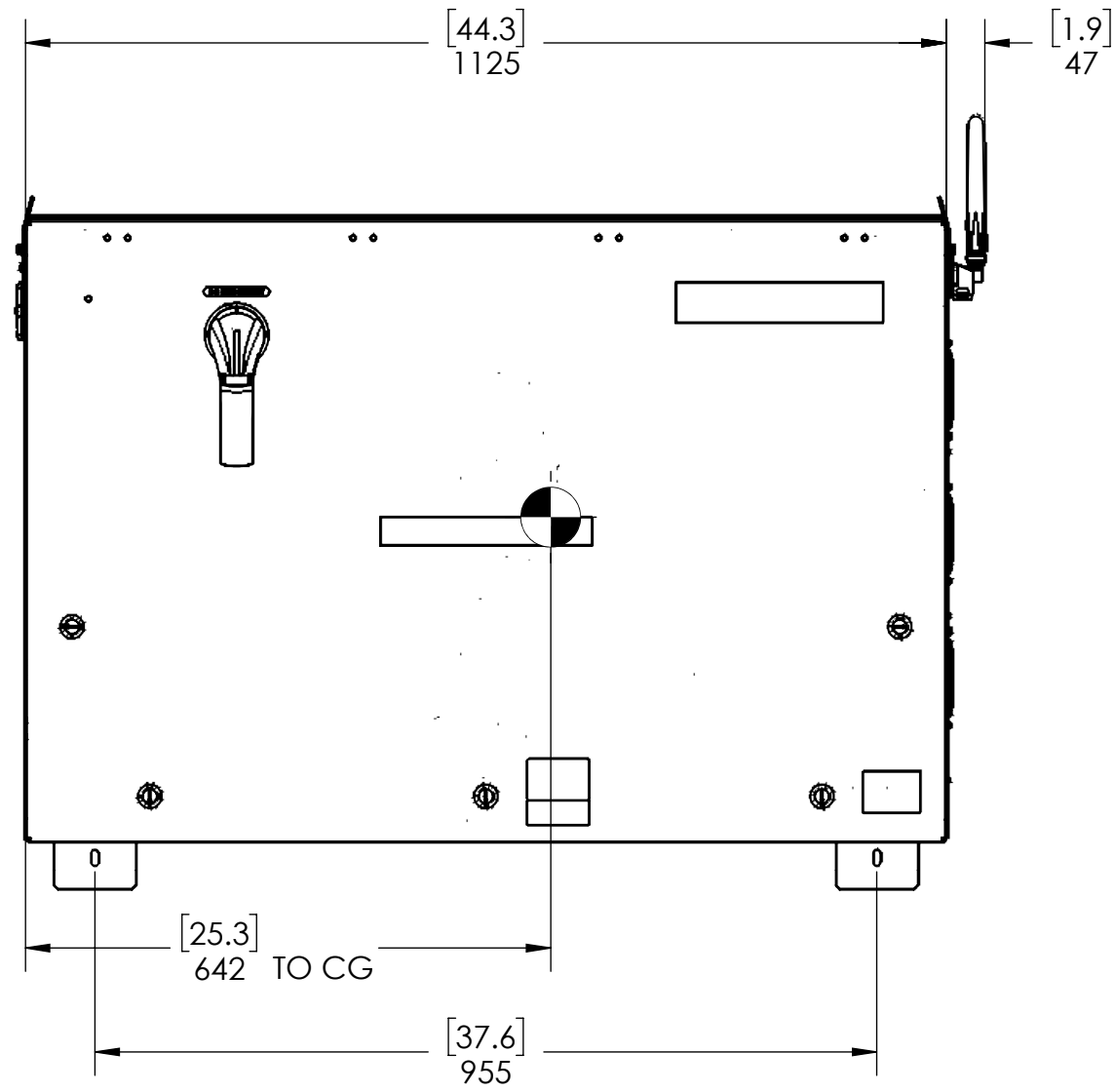
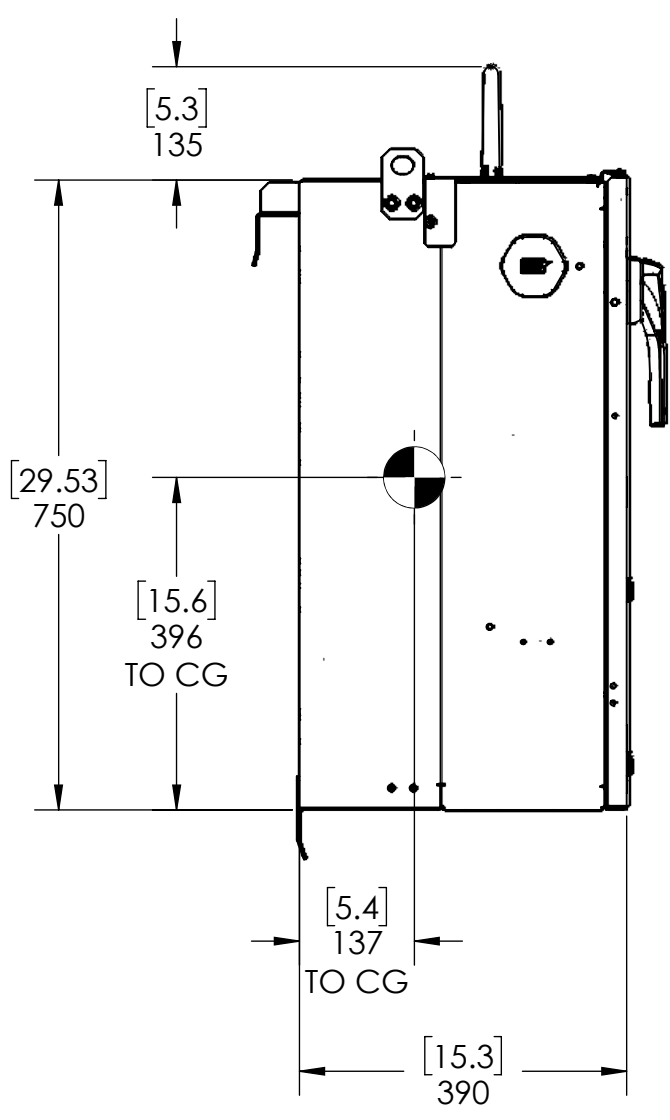
D
C
B
A

DRAFT COPY, UNRELEASED

GENERAL TOLERANCES: X ± X.X ±.1 X.XX ±.02 X.XXX ±.005 X.XXXX ±.0010 ANGLES ±1.0	BREAK ALL SHARP EDGES AND DEBURR DRAWING PER: ASME Y14.5M-1994  3RD ANGLE PROJECTION	DESIGNED	A. MARINELLA	6/1/2022	YASKAWA SOLECTRIA SOLAR COMMERCIAL CONFIDENTIAL CUSTOMER INTERFACE DRAWING, XGI 1500-250 ITEM NUMBER: CAD-900554 SIZE: B DRAWING NUMBER: DOCR-071071 REV: 0 SCALE: 1:6 SHEET 1 OF 5
		DRAWN	A. MARINELLA	7/8/2022	
		CHECKED			
		APPROVED			
 .04  0.02 A B C SURFACE FINISH 125/		MATERIAL	N/A		
		FINISH	N/A		
		MASS	290.00 lbs		
		FIRST USED	XGI 1500-250		
		DIMENSIONS ARE IN INCHES	DO NOT UPDATE MANUALLY	DO NOT SCALE	
THIS DOCUMENT AND INFORMATION CONTAINED IN IT ARE CONFIDENTIAL AND CANNOT BE COPIED OR DISCLOSED IN WHOLE OR IN PART WITHOUT EXPRESSED WRITTEN CONSENT OF YASKAWA SOLECTRIA SOLAR					

6 5 4 3 2 1

D
C
B
A



YASKAWA
SOLECTRIA SOLAR
COMMERCIAL CONFIDENTIAL

CUSTOMER INTERFACE
DRAWING, XGI 1500-250

ITEM NUMBER: CAD-900554	SIZE: B
DRAWING NUMBER: DOCR-071071	REV: 0
SCALE: 1:9	SHEET 2 OF 5

DRAFT COPY, UNRELEASED

SOLREN YAI SIZE-B, mm 6 5 4 3 2 1

6

5

4

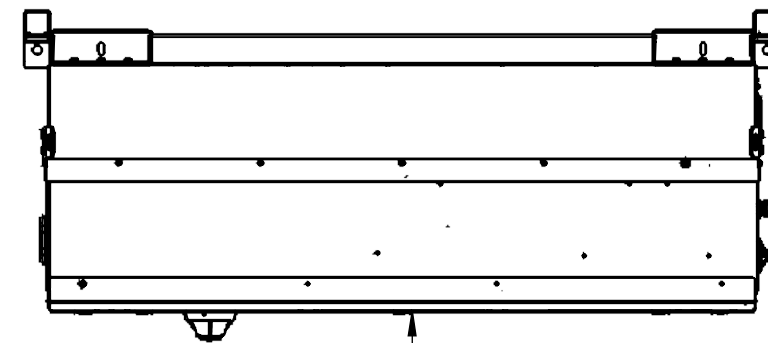
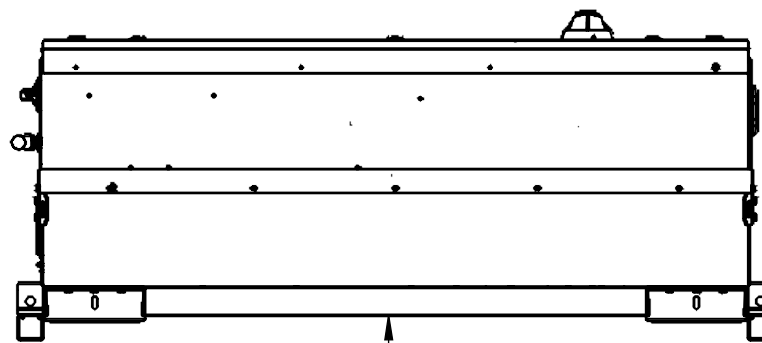
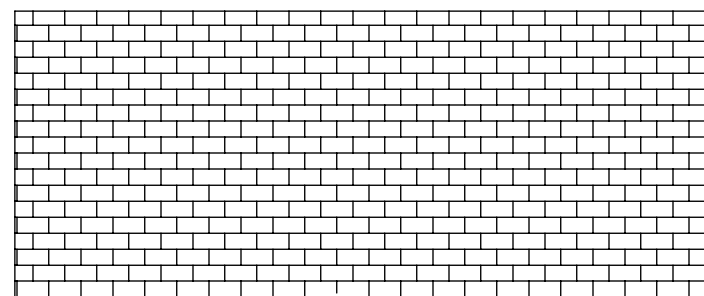
3

2

1

D

D



MIN
[24.0]
610

MIN
[24.0]
610

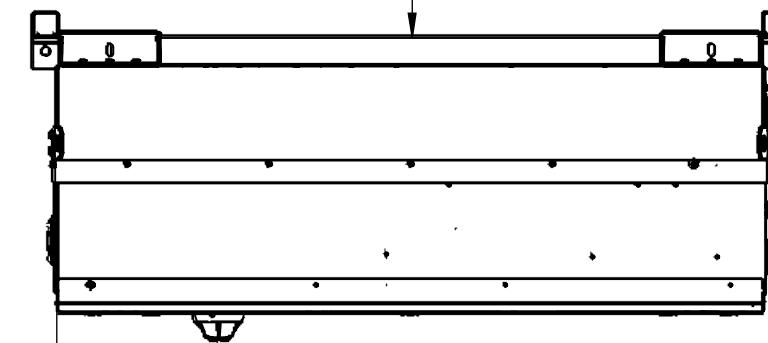
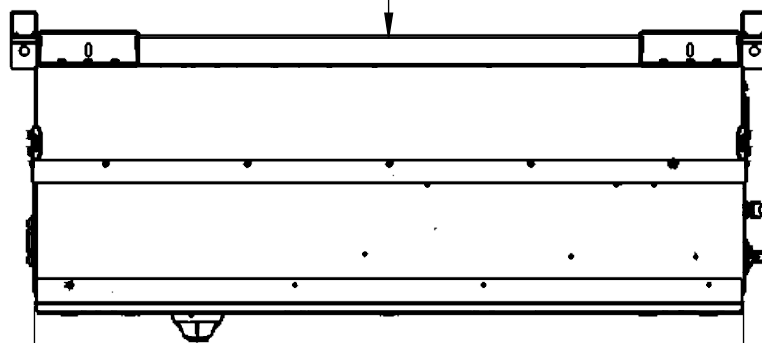
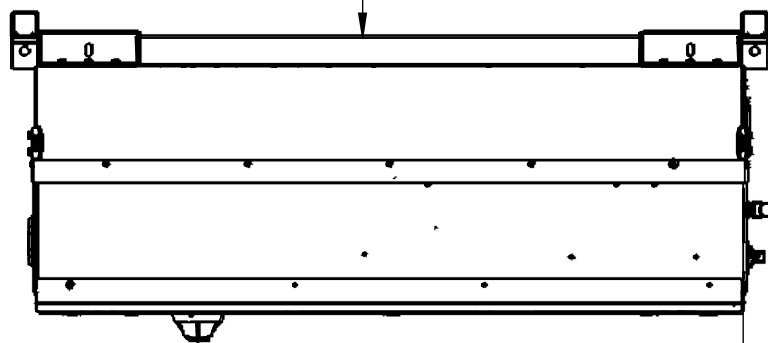
MIN
[36.0]
915

C

C

B

B



B

B

MIN
[24.0]
610

MIN
[24.0]
610

A

A

DRAFT COPY, UNRELEASED

YASKAWA
SOLECTRIA SOLAR
COMMERCIAL CONFIDENTIAL
CUSTOMER INTERFACE
DRAWING, XGI 1500-250

ITEM NUMBER: CAD-900554	SIZE: B
DRAWING NUMBER: DOCR-071071	REV: 0
SCALE: 1:12	SHEET 3 OF 5

6

5

4

3

2

1

D

D

C

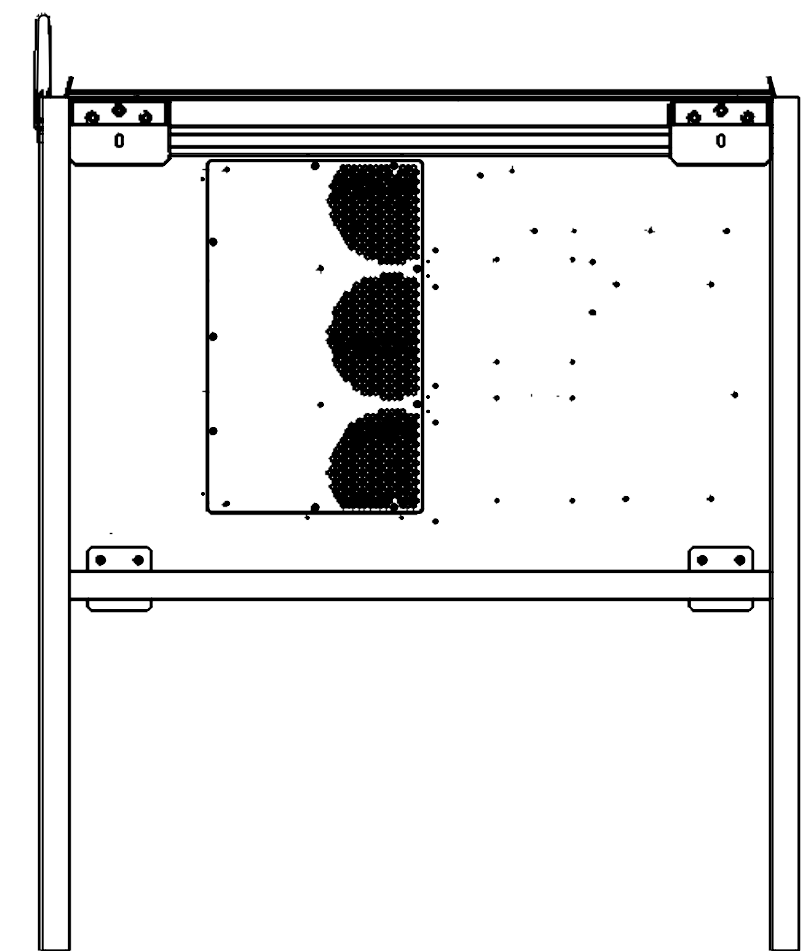
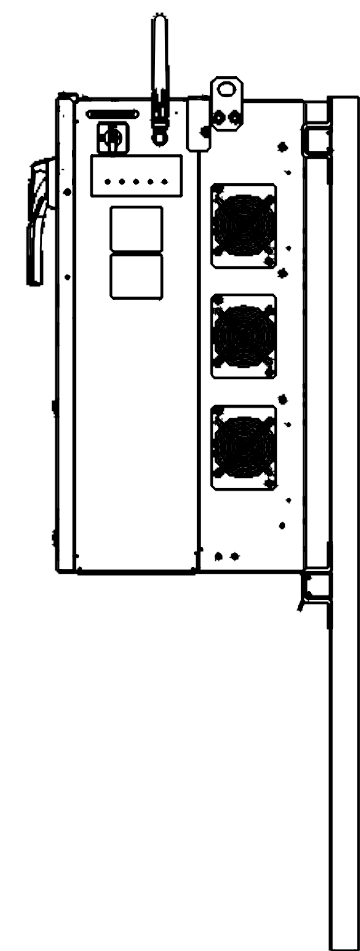
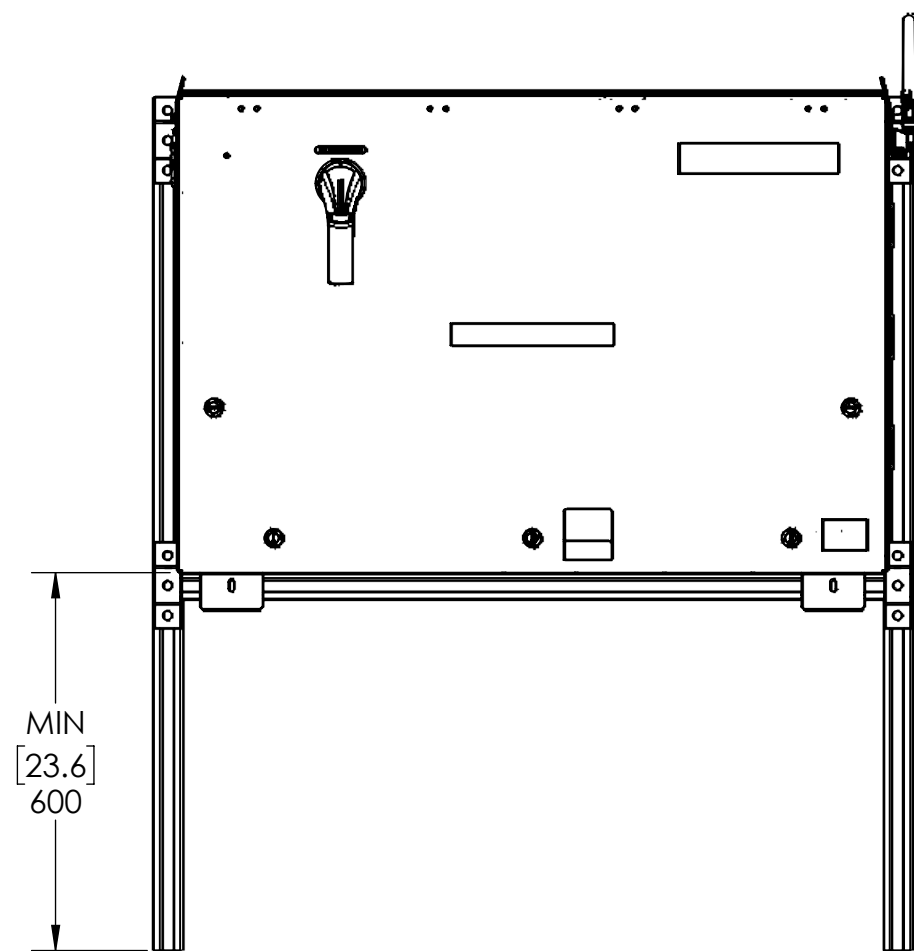
C

B

B

A

A



DRAFT COPY, UNRELEASED

YASKAWA
SOLECTRIA SOLAR
COMMERCIAL CONFIDENTIAL

CUSTOMER INTERFACE
DRAWING, XGI 1500-250

ITEM NUMBER: CAD-900554	SIZE: B
DRAWING NUMBER: DOCR-071071	REV: 0
SCALE: 1:12	SHEET 4 OF 5

6

5

4

3

2

1

6

5

4

3

2

1

D

C

B

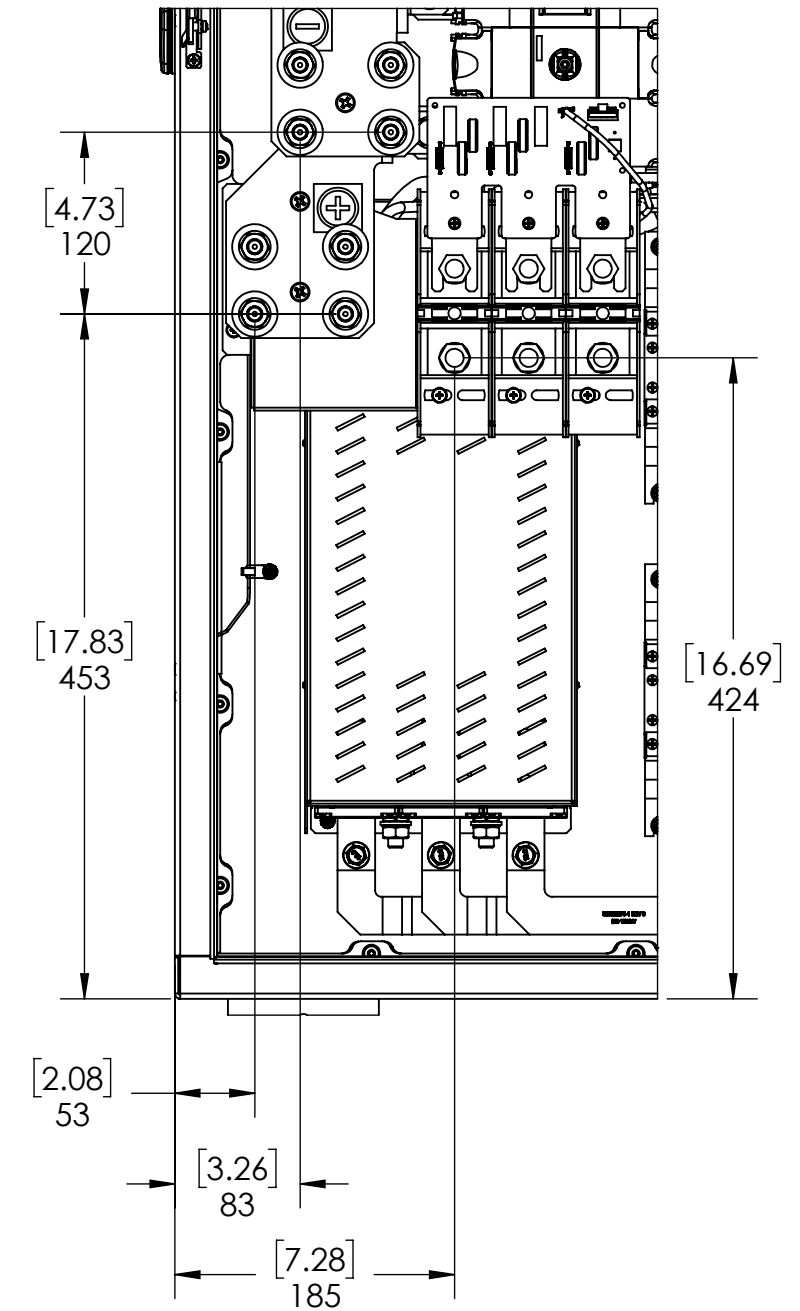
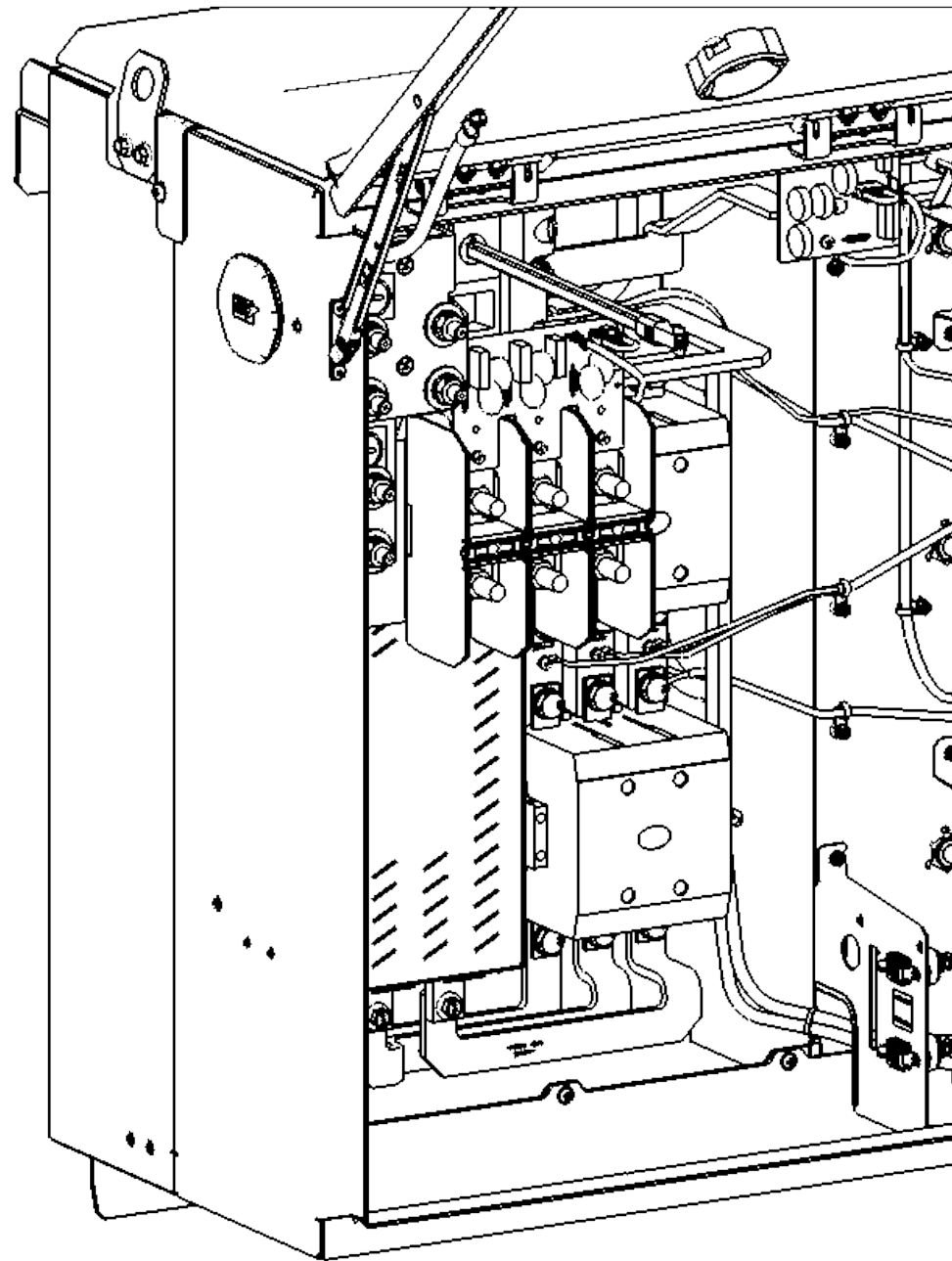
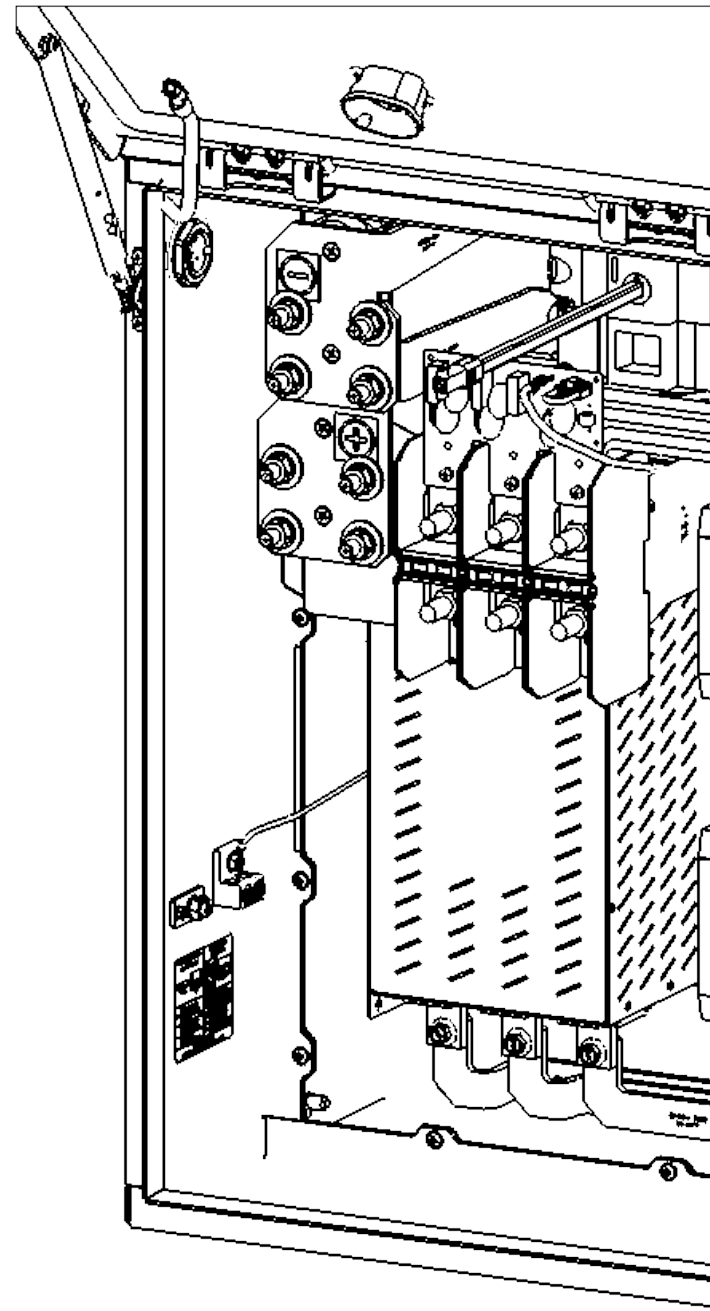
A

D

C

B

A



DRAFT COPY, UNRELEASED

YASKAWA
SOLECTRIA SOLAR
COMMERCIAL CONFIDENTIAL
CUSTOMER INTERFACE
DRAWING, XGI 1500-250

ITEM NUMBER: CAD-900554	SIZE: B
DRAWING NUMBER: DOCR-071071	REV: 0
SCALE: 1:5	SHEET 5 OF 5