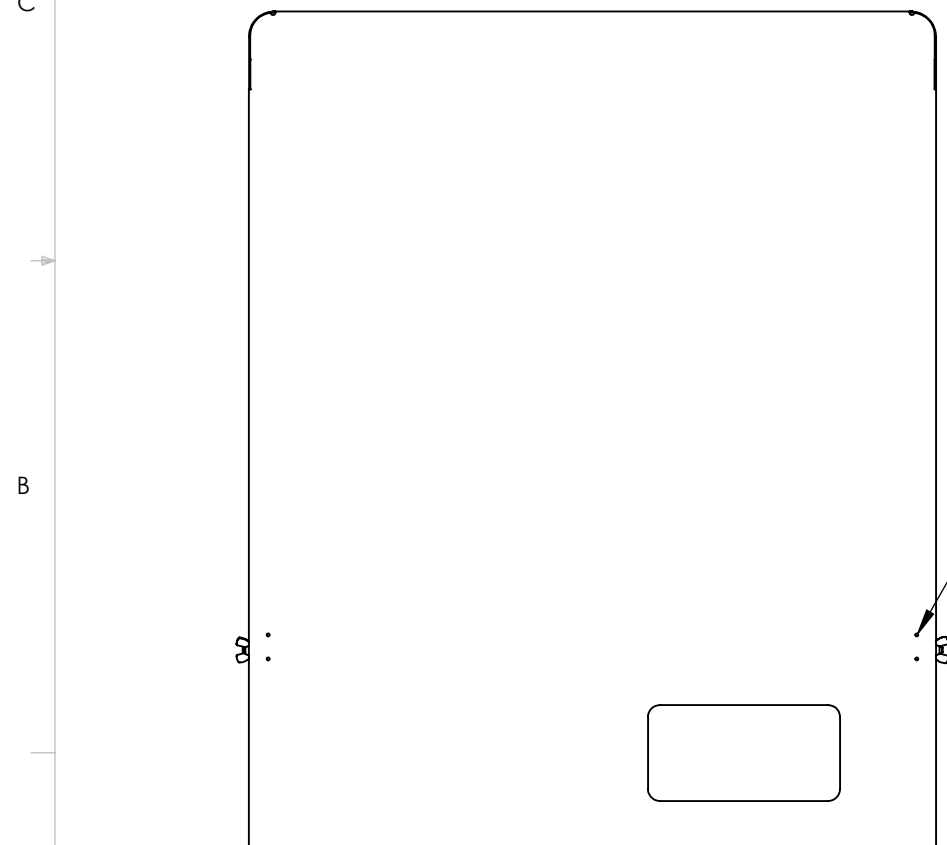
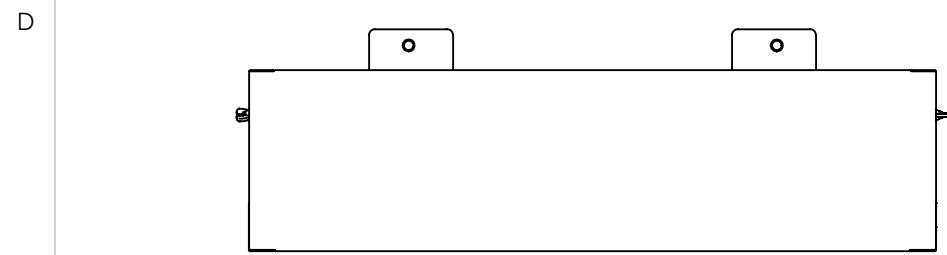
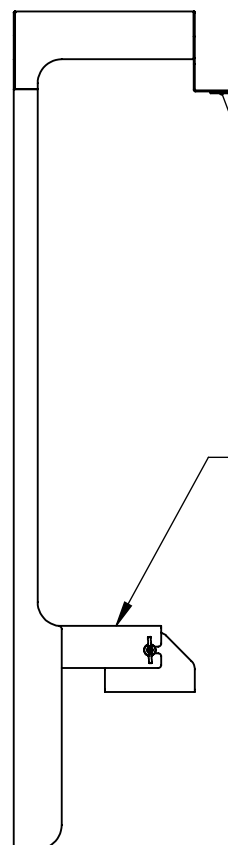


REV	DESCRIPTION	APPROVAL	DATE

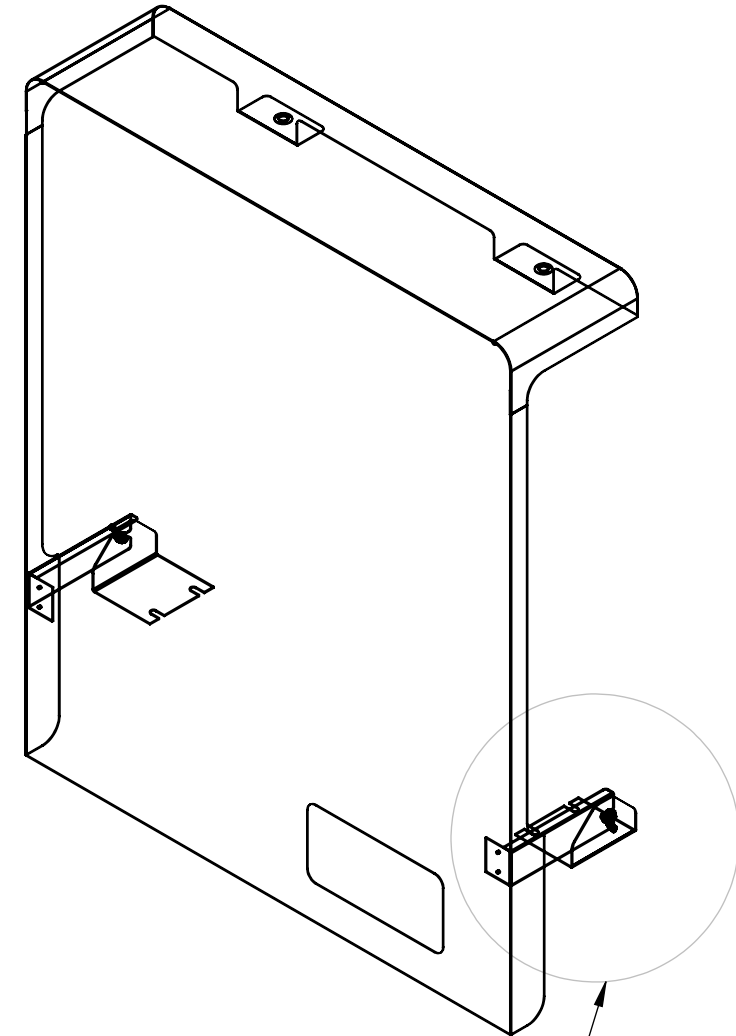


FILL ALL CLEKO HOLES
GRIND SMOOTH



NYLON WASHERS
(KIT FOR SHIPPING)

FILLET WELD BRACKETS
ON INSIDE ONLY (2X)



BOLT ON BRACKETS (2X)
(KIT FOR SHIPPING WITH WING NUTS)



SPRAYLAT PEB-18994 ANODIZED ALUMINUM

UNLESS OTHERWISE SPECIFIED:
 DIMENSIONS ARE IN INCHES
 TOLERANCES:
 ANGLES: ± 1°
 DECIMALS: .XX ± .02
 .XXX ± .005
 INTERPRET GEOMETRIC
 TOLERANCING PER: ANSI STD Y14.5
 MATERIAL: VARIOUS
 FINISH: POWDERCOAT
 DO NOT SCALE DRAWING

NAME	DATE
P. CULLEN	--/--

AMP ADVANTAGE METAL PRODUCTS

TITLE:

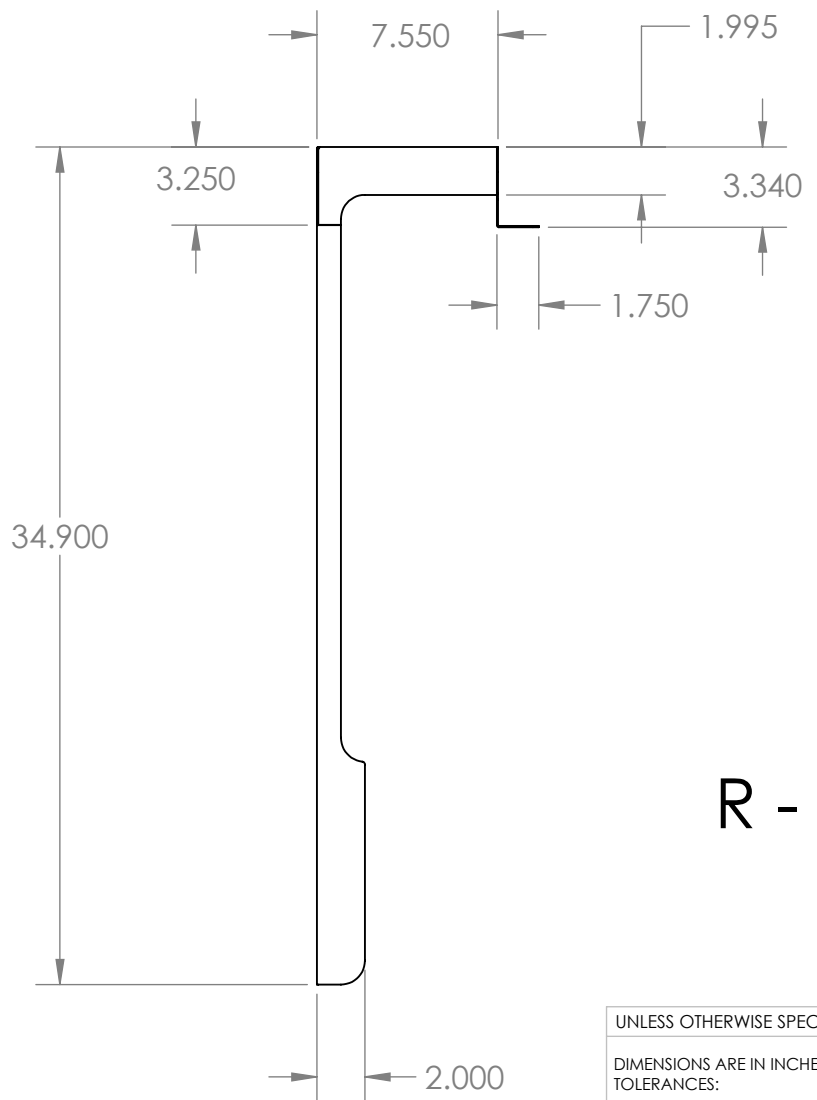
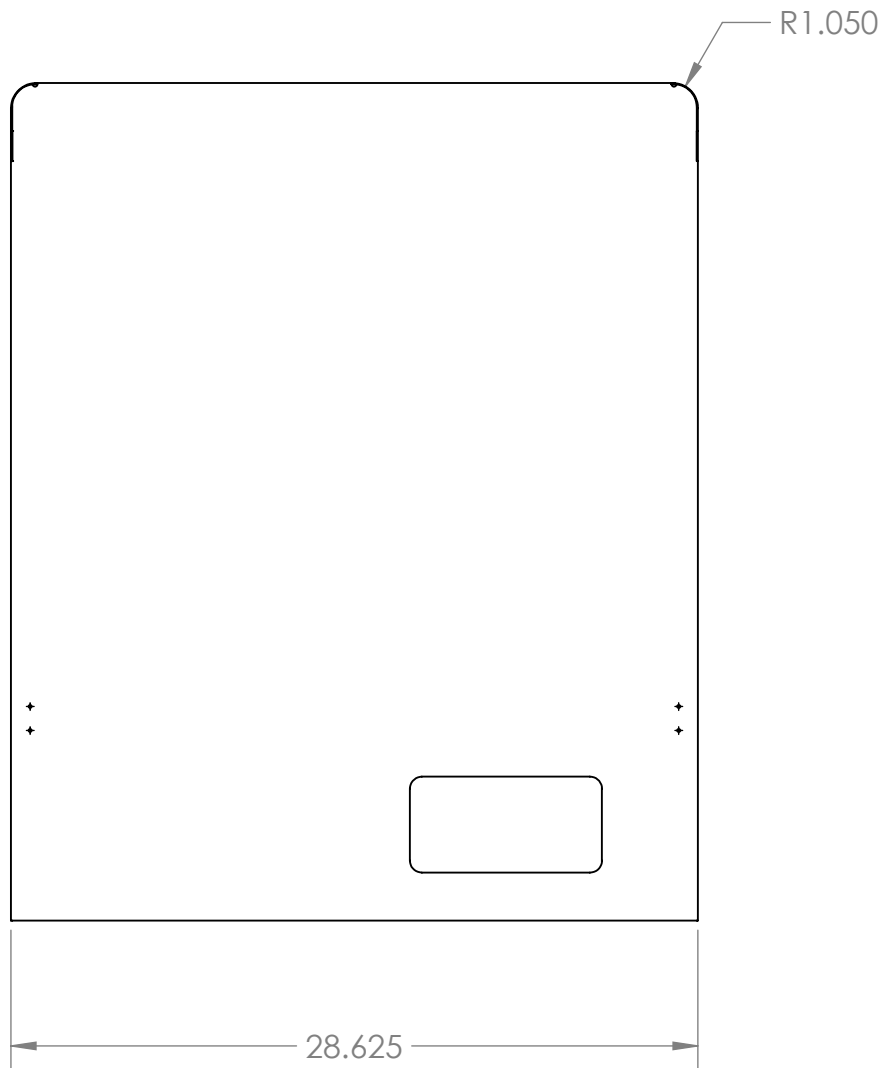
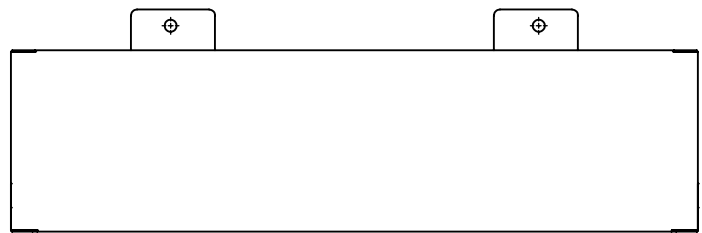
SIZE	DWG. NO.	REV
B	SUNSHADE ASSEMBLY	3

SCALE: 1:8 WEIGHT: SHEET 1 OF 1

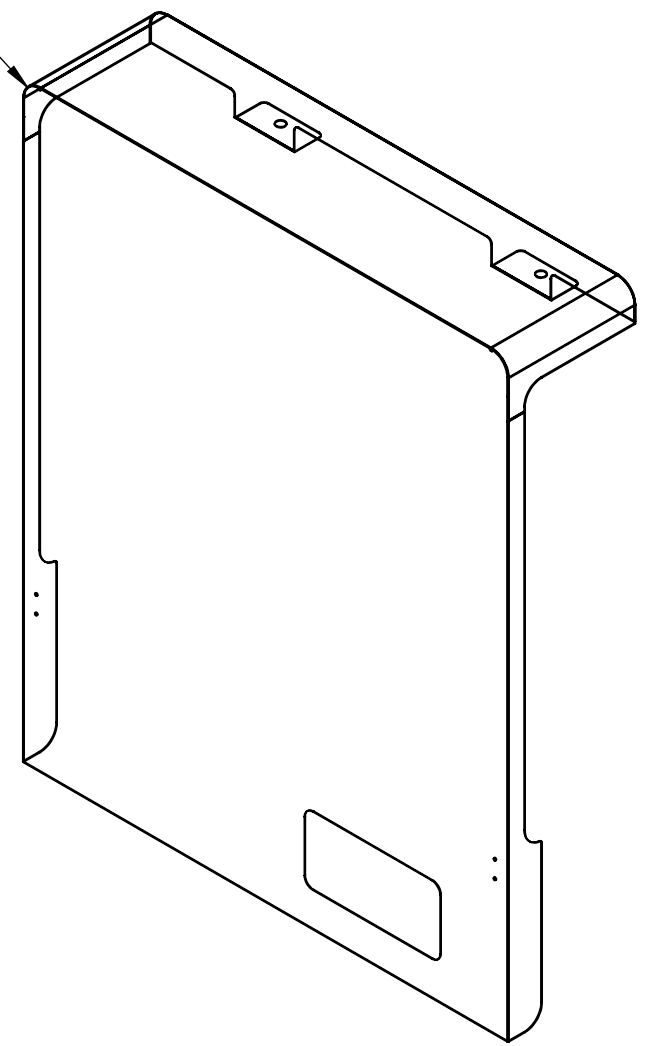
APPLICATION	USED ON



REV	DESCRIPTION	APPROVAL	DATE



WELD ALL SEAMS SOLID AND BLEND CORNERS



R - 1/32 K - .080



UNLESS OTHERWISE SPECIFIED:		NAME	DATE	AMP ADVANTAGE METAL PRODUCTS
DIMENSIONS ARE IN INCHES TOLERANCES:		DRAWN	P. CULLEN	
ANGLES: ± 1°		CHECKED		TITLE:
DECIMALS: .XX ± .02		ENG APPR.		
.XXX ± .005		MFG APPR.		
INTERPRET GEOMETRIC TOLERANCING PER: ANSI STD Y14.5		Q.A.		SIZE DWG. NO. REV B COVER 3
MATERIAL E-GALV		COMMENTS:		
APPLICATION	DO NOT SCALE DRAWING	THIRD ANGLE PROJECTION		SCALE: 1:8 WEIGHT: SHEET 1 OF 1

NEXT ASSY	USED ON

8 7 6 5 4 3 2 1

D
C
B
A

D
C
B
A

8 7 6 5 4 3 2 1