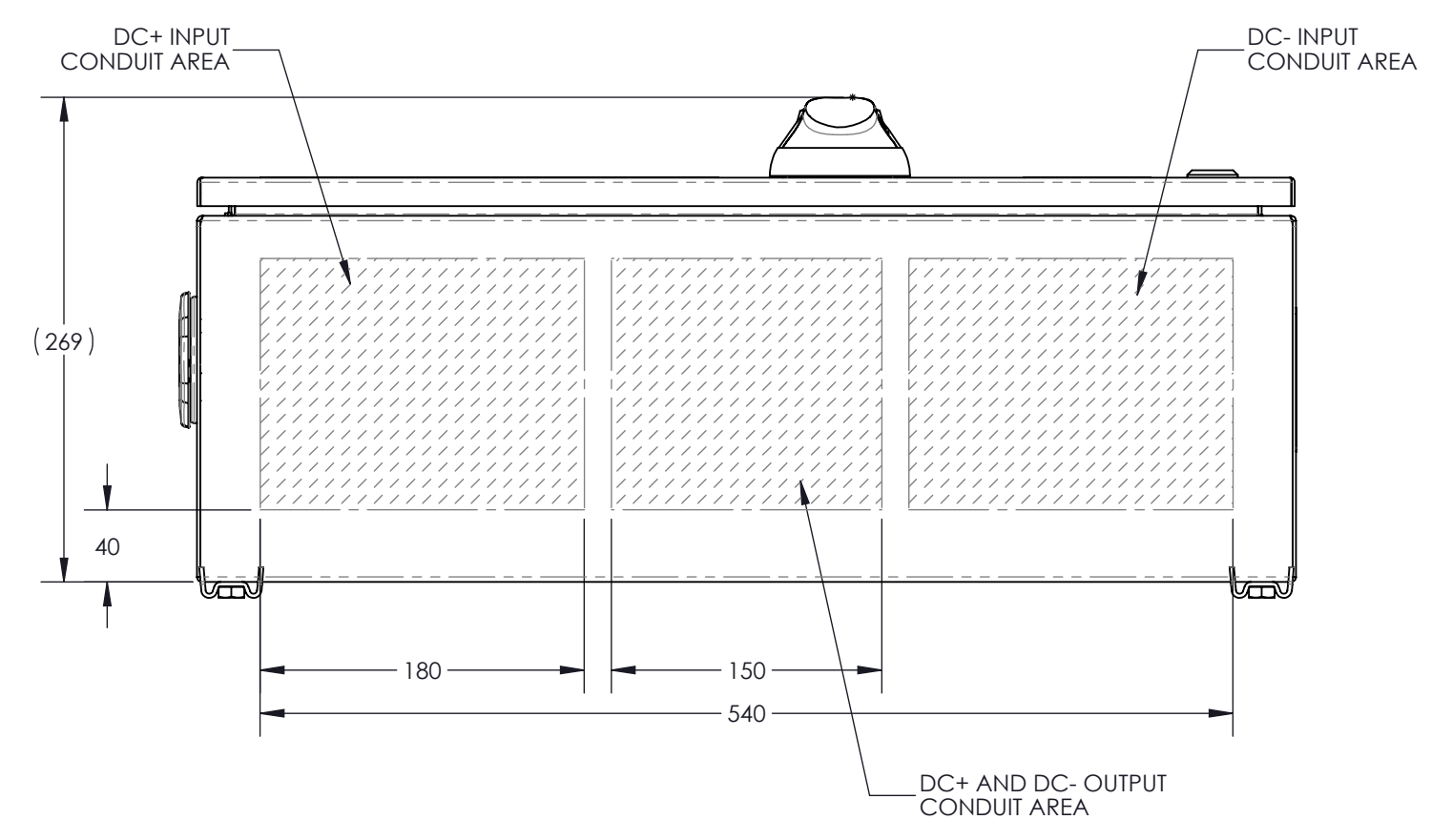
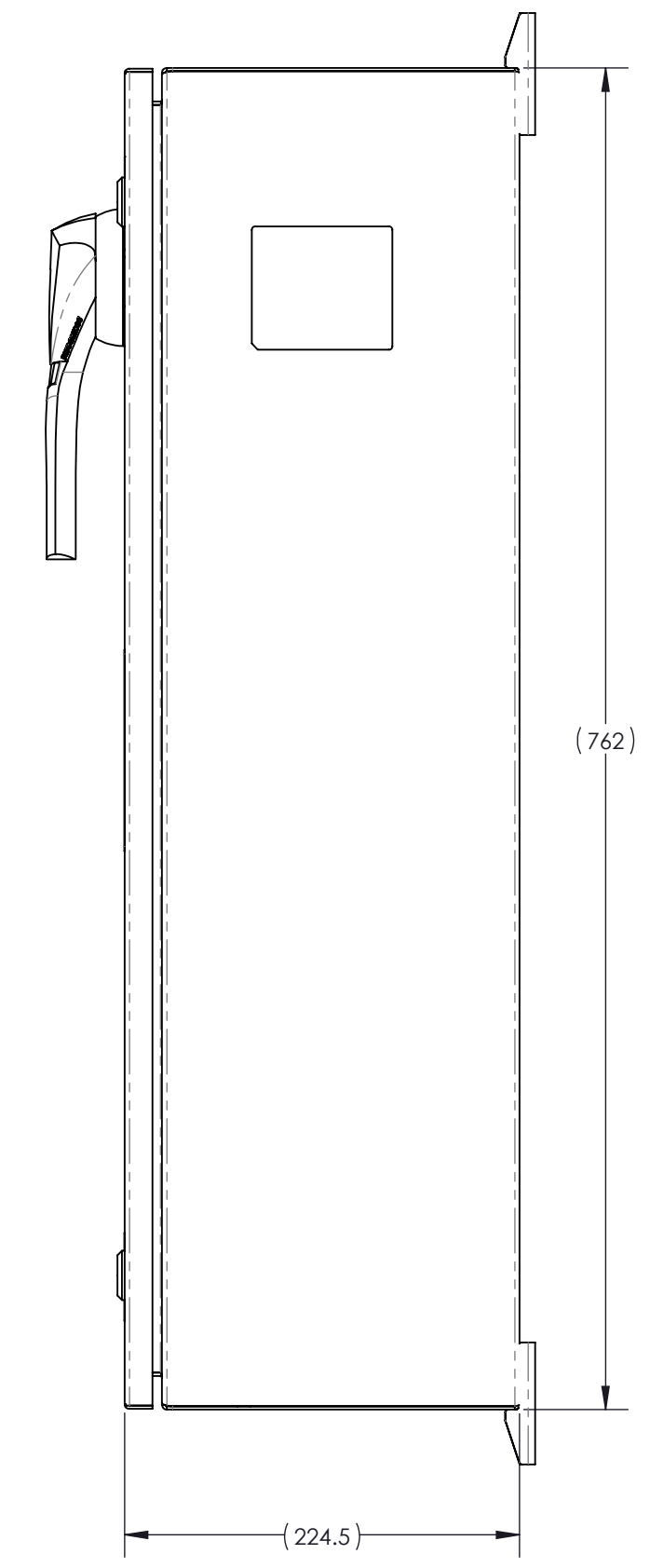
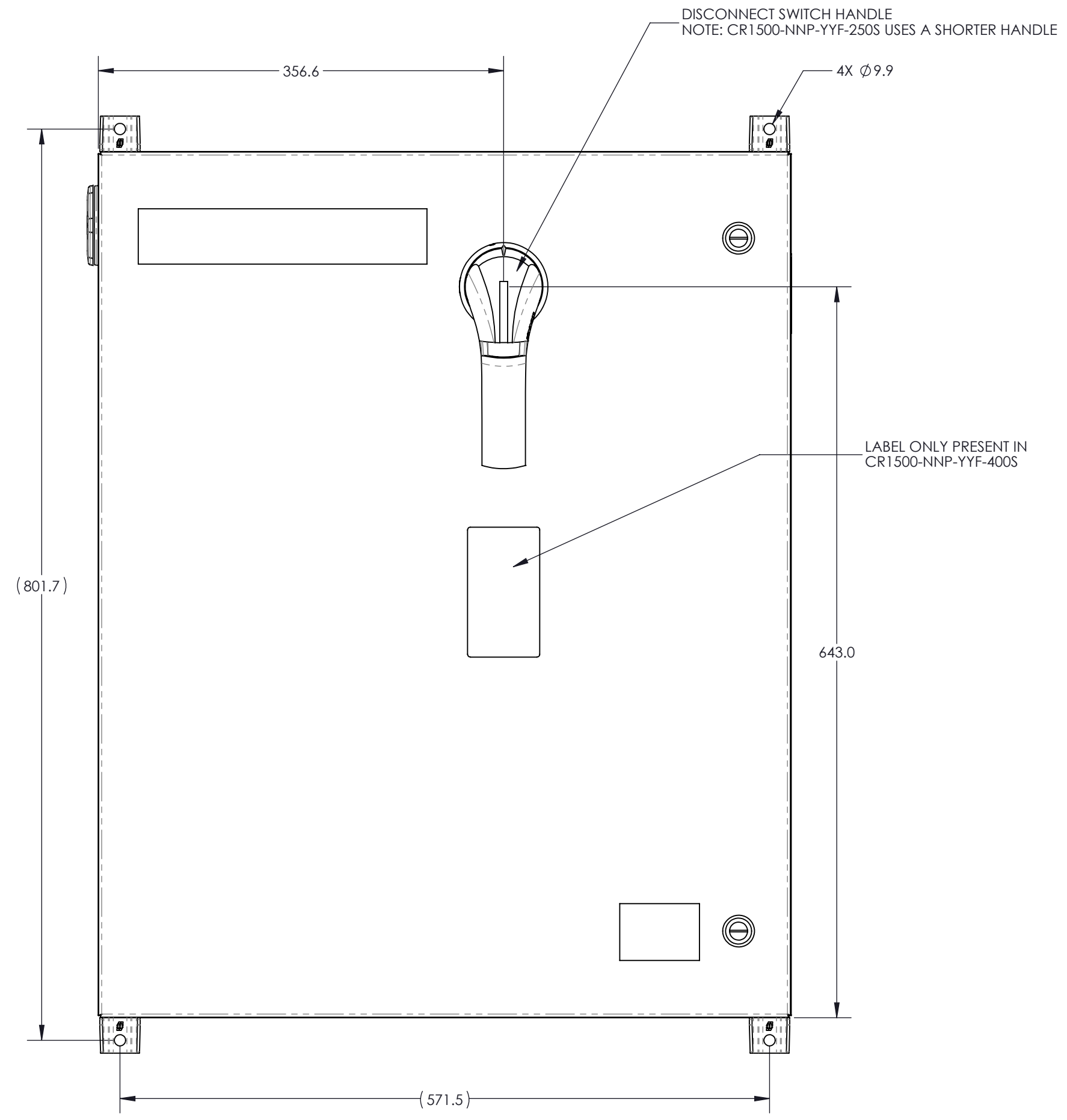


REV		EC#	DESCRIPTION	REVISIONS		DRAWN	DATE
0	-	-	INITIAL RELEASE			A. MARINELLA	8/16/2023

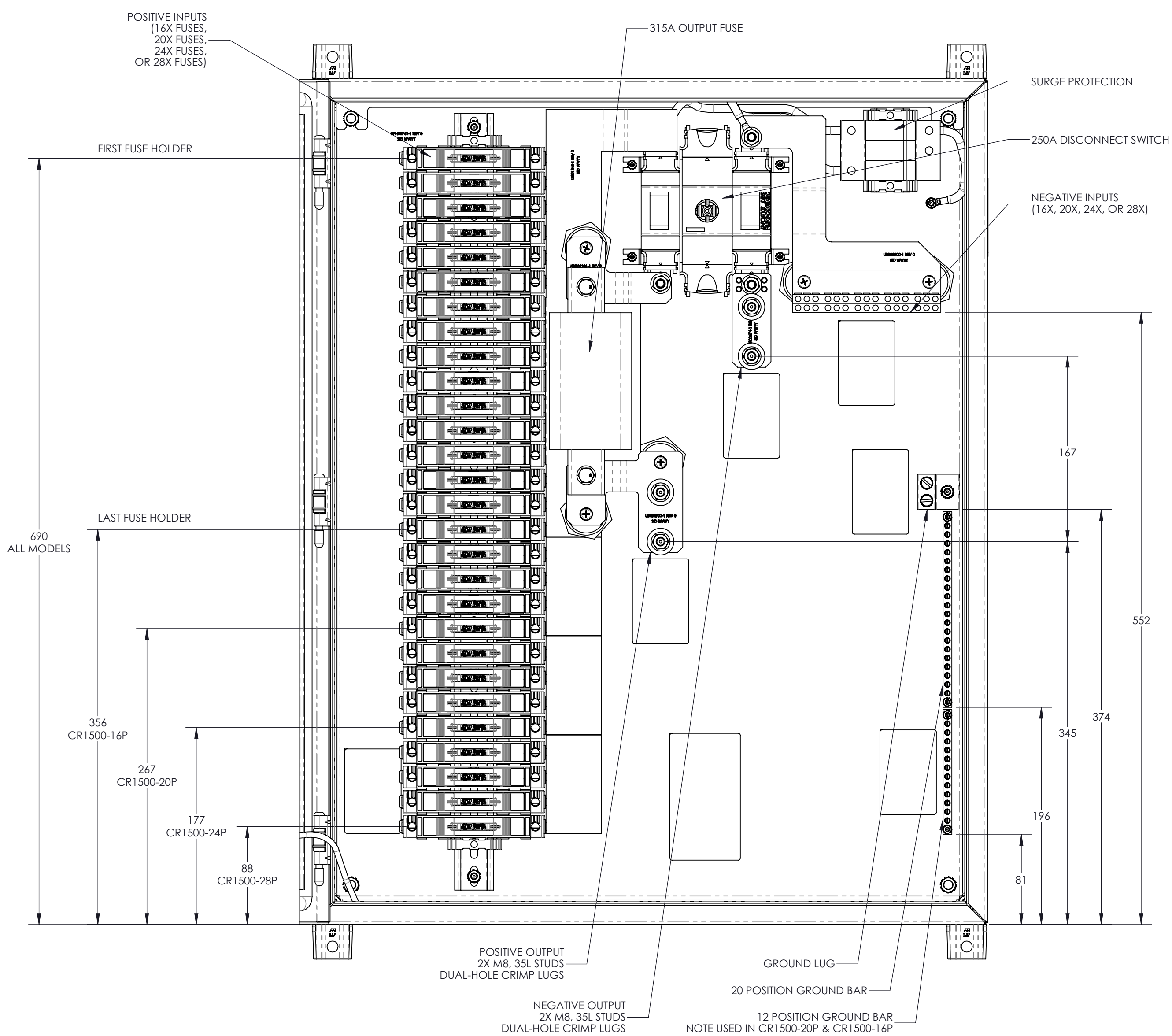


GENERAL TOLERANCES: X ±1 XX ±0.5 XXX ±0.1 XXXX ±0.05 ANGLES ±1.0	BREAK ALL SHARP EDGES AND DEBURR DRAWING PER YASKAWA 14.5MM P14	DESIGNED DRAWN CHECKED APPROVED	A. MARINELLA A. MARINELLA C. ROYER C. ROYER	6/21/2023 6/22/2023 6/22/2023 6/22/2023
THIS DOCUMENT AND INFORMATION CONTAINED IN IT ARE CONFIDENTIAL AND CANNOT BE COPIED OR DISCLOSED IN WHOLE OR IN PART WITHOUT EXPRESSED WRITTEN CONSENT OF YASKAWA SOLECTRIA SOLAR	3RD ANGLE PROJECTION SURFACE FINISH	MATERIAL FINISH MASS FIRST USED	N/A N/A 14.8 kg PVS-500	DO NOT UPDATE MANUALLY DO NOT SCALE
ITEM NUMBER: CR1500-NNP-YYF-400S		DRAWING NUMBER: DOCR-071082		SCALE: 1:4
SHEET 1 OF 3		SHEET 1 OF 3		SIZE: C REV: 0

REACH
RoHS
YASKAWA
SOLECTRIA SOLAR
COMMERCIAL CONFIDENTIAL

CUSTOMER INTERFACE DRAWING,
FUUSED OUTPUT CR1500

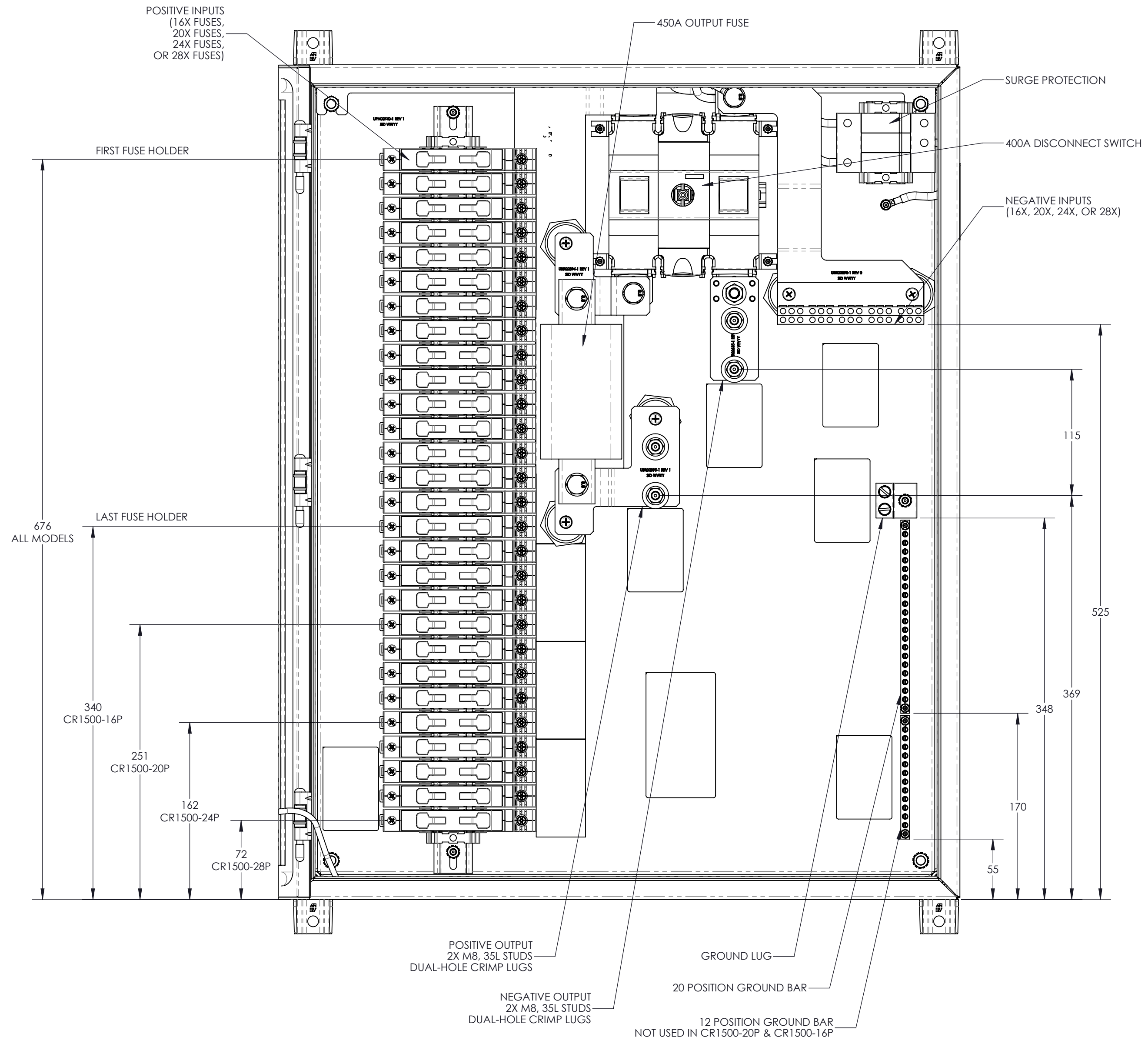
CR1500-NNP-YYF-250S



REACH
RoHS
YASKAWA
SOLECTRIA SOLAR
COMMERCIAL CONFIDENTIAL
**CUSTOMER INTERFACE DRAWING,
 FUSED OUTPUT CR1500**

ITEM NUMBER: CR1500-NNP-YYF-250S	SIZE: C
DRAWING NUMBER: DOCR-071082	REV: 0
SCALE: 1:3	SHEET 2 OF 3

CR1500-NNP-YYF-400S



REACH
RoHS
YASKAWA
SOLECTRIA SOLAR
COMMERCIAL CONFIDENTIAL
**CUSTOMER INTERFACE DRAWING,
 FUSED OUTPUT CR1500**

ITEM NUMBER: CR1500-NNP-YYF-400S	SIZE: C
DRAWING NUMBER: DOCR-071082	REV: 0
SCALE: 1:3	SHEET 3 OF 3