



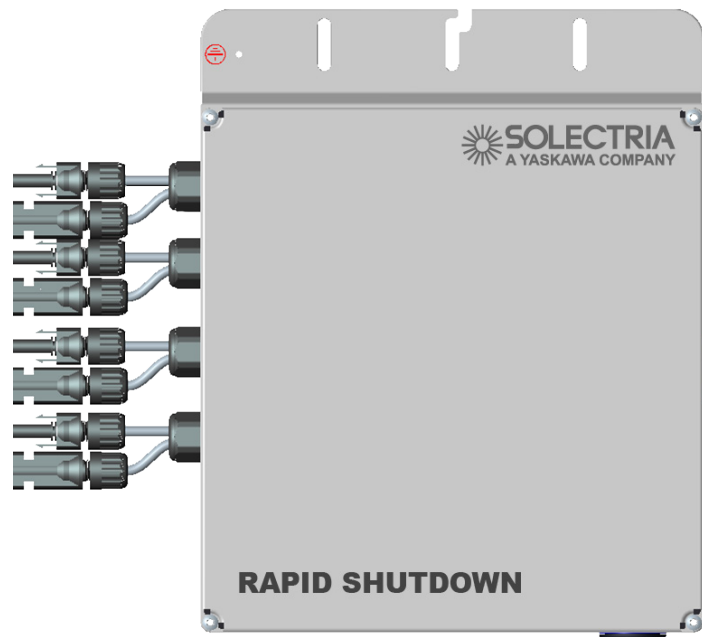
# RAPID SHUTDOWN COMBINER

## FEATURES

- Meets NEC 2014 rapid shutdown requirements
- Designed for Yaskawa - Solectria Solar's PVI 3800-7600TL (single-phase, transformerless inverters)
- Supports dual MPPT
- Integrated control solution
- One box installation
- Power & control wires in same conduit
- MC4 pre-wired string inputs

## RAPID SHUTDOWN COMBINER OPTION

Yaskawa - Solectria Solar rapid shutdown option offers customers a solution to NEC 2014, Article 690.12, requiring single-phase installations to shutdown immediately at the source. This option has been designed to seamlessly integrate with Yaskawa - Solectria Solar's PVI 3800-7600TL single-phase transformerless inverters. It allows operation of dual MPPT zone configurations with two strings per MPPT zone and sources communication for enable and disable from the inverter itself. Array disconnect is automatic upon loss of AC power at inverter, per NEC 2014, 690.12.



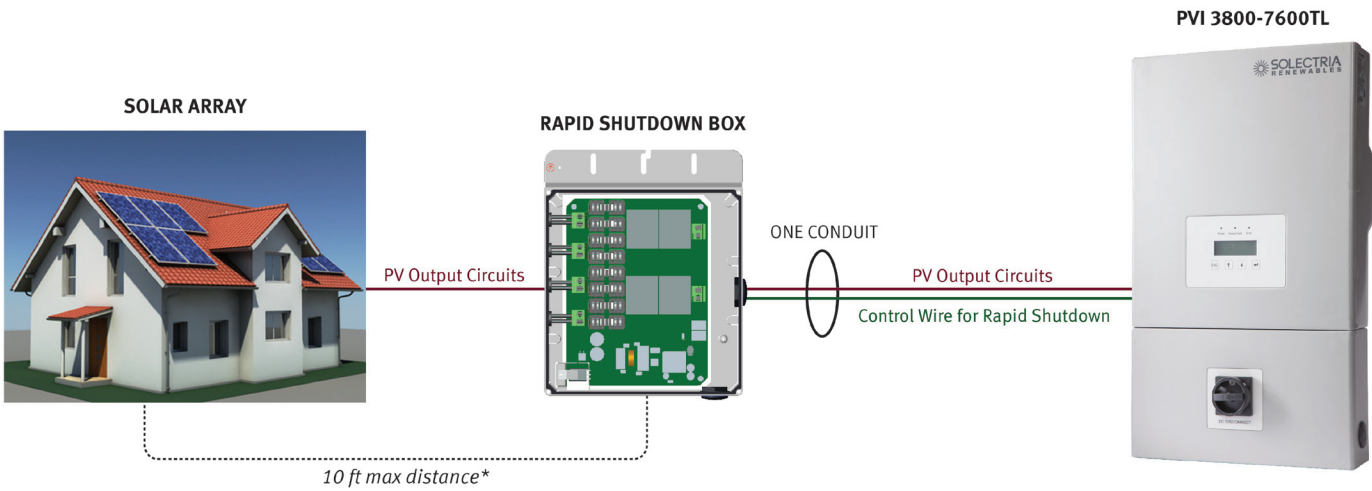
**SPECIFICATIONS**

**RAPID SHUTDOWN COMBINER OPTION FOR PVI 3800-7600TL**

**Rapid Shutdown Combiner**

|                                       |  |
|---------------------------------------|--|
| Absolute Maximum Open Circuit Voltage | 600 VDC                                  |
| PV Fuse Size                          | 15 A included, 20 A maximum              |
| Integrated String Combiner            | 2 positions per MPPT                     |
| Integrated Power Supply               | DC powered by the array (2.5W)           |
| Ambient Temperature Range             | -40°F to +158°F (-40°C to +70°C)         |
| Warranty                              | 10 years                                 |
| Dimensions (H x W x D)                | 12.4 x 10 x 2.2 in. (315 x 254 x 56 mm)* |
| Weight                                | 6.6 lbs (3 kg)                           |
| Enclosure Rating                      | Type 4X                                  |
| Enclosure Finish                      | Aluminum                                 |
| Compliance                            | NEC 2014, Article 690.12                 |
| Safety Listing and Certification      | UL 1741, CSA C22.2#107.1                 |
| Testing Agency                        | CSA                                      |

\*Dimensions do not include DC input wiring shown in photos; input wiring is included when RSD is ordered



*\*RSD box cannot exceed 10' distance from solar array (5' max if inside building)*

