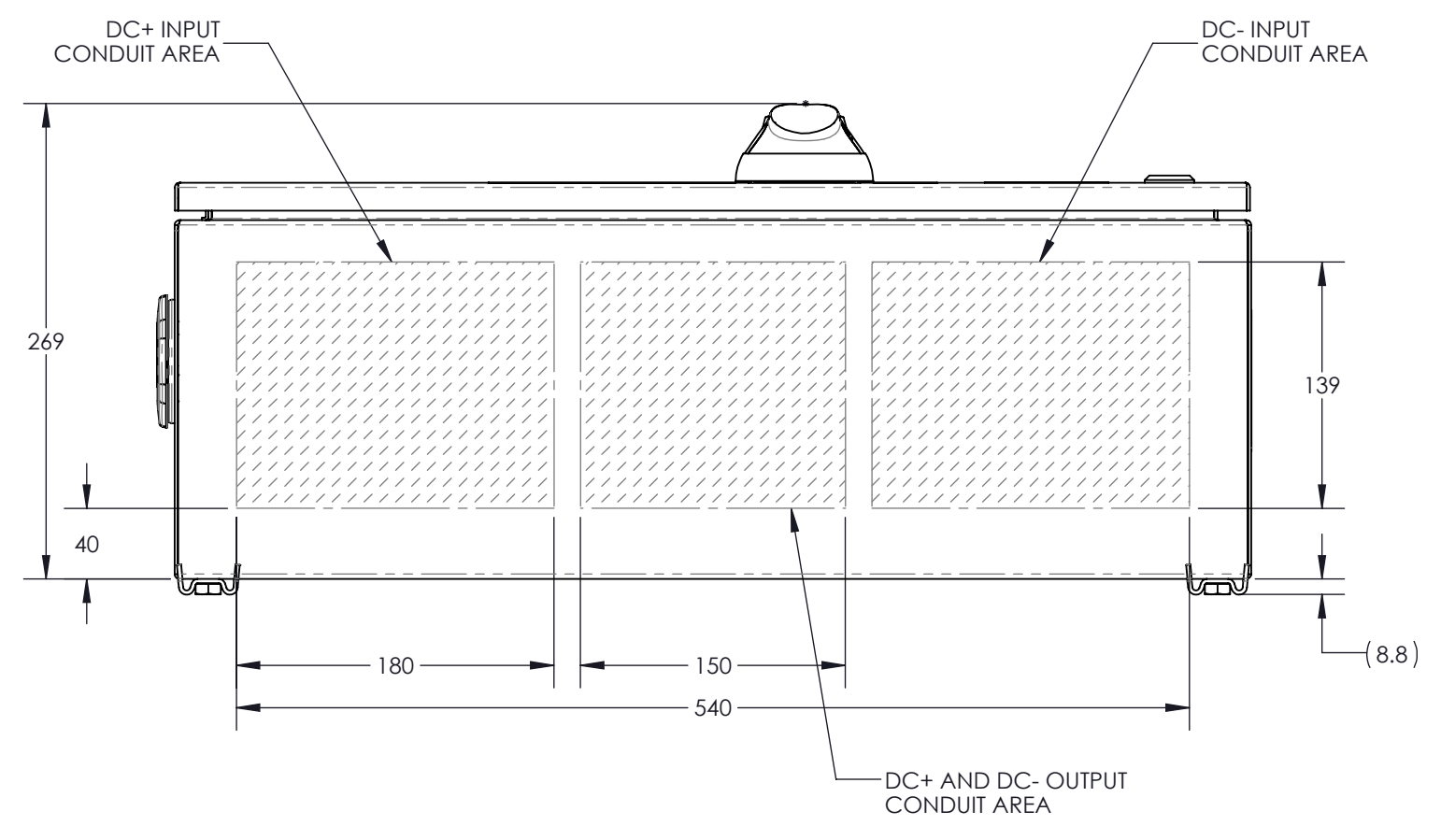
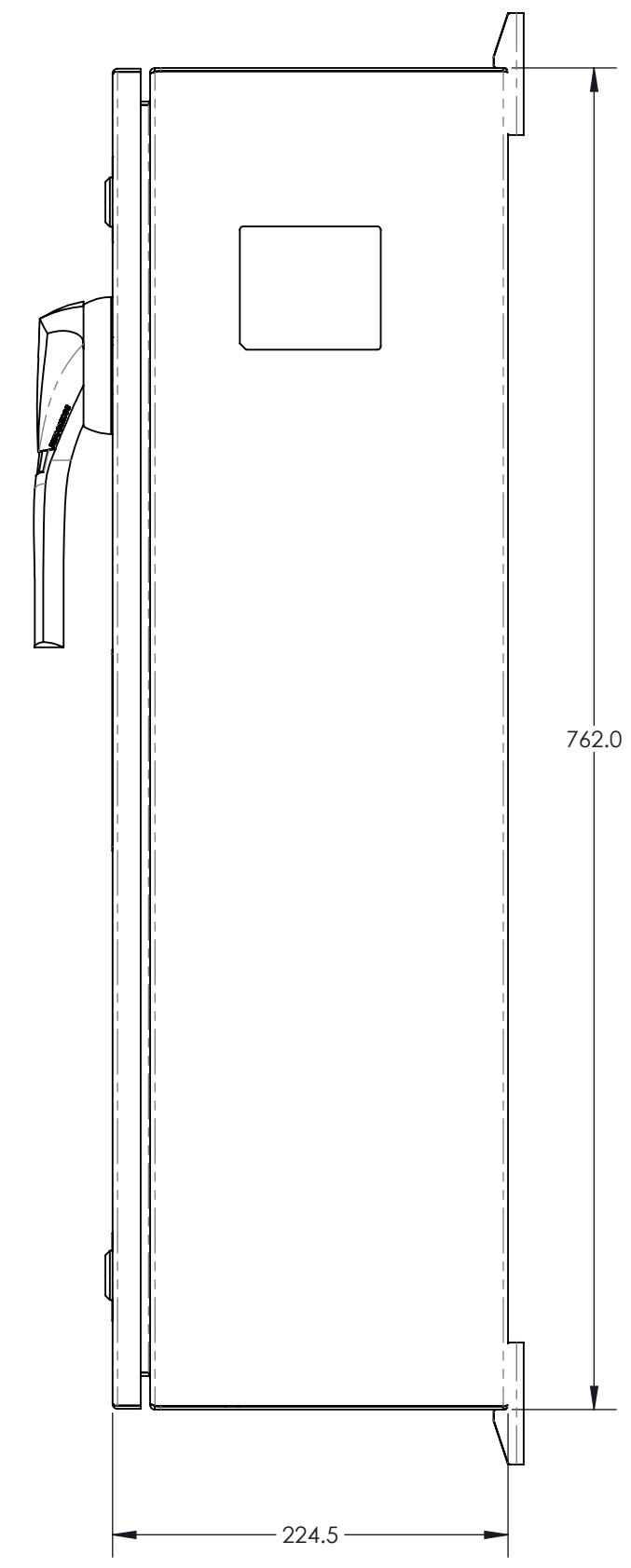
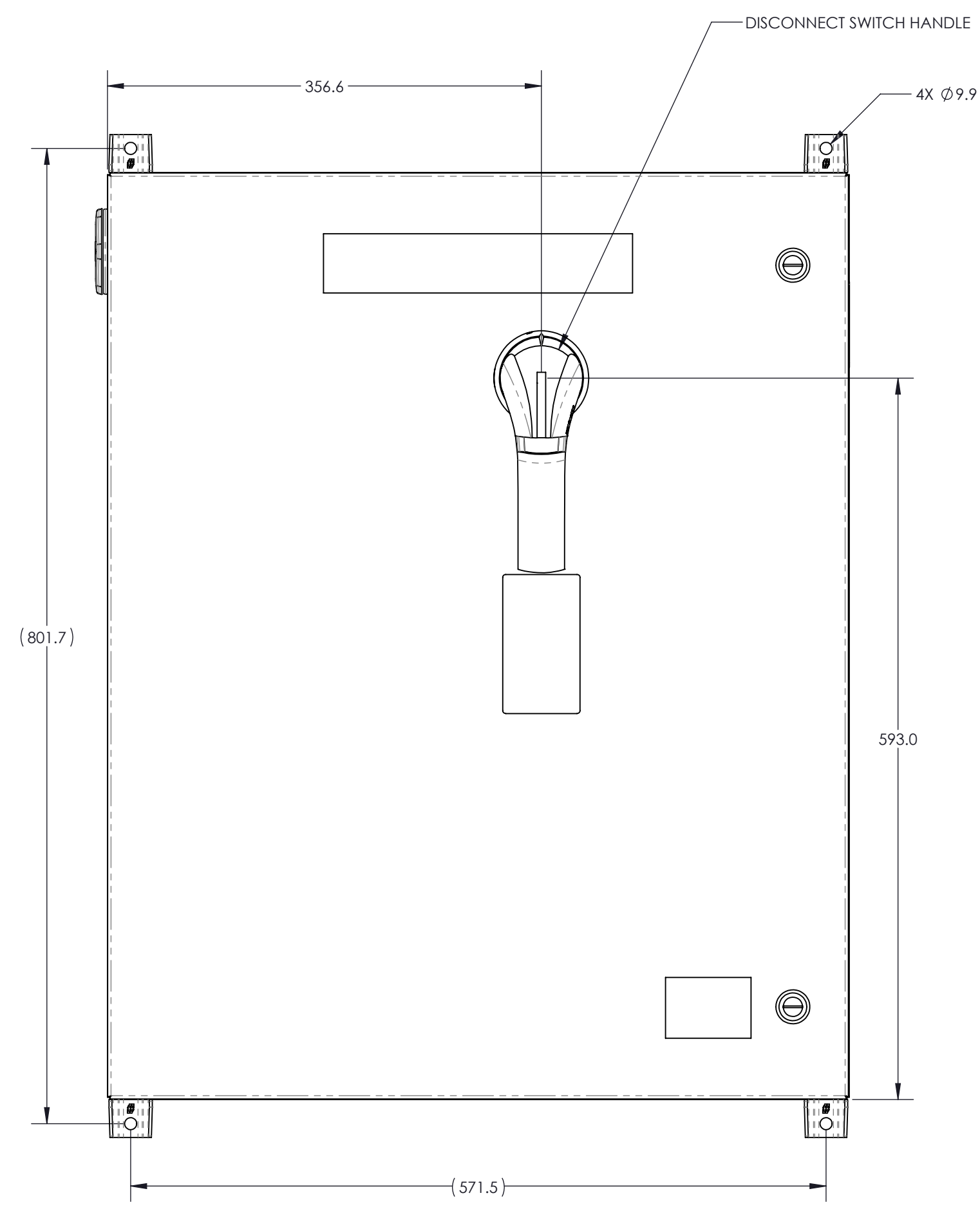


REV		EC#	DESCRIPTION	REVISIONS		DRAWN	DATE
0	-	-	INITIAL RELEASE			A. MARINELLA	7/20/22



GENERAL TOLERANCES: X ±1 XX ±0.5 XXX ±0.1 XXXX ±0.05 ANGLES ±1.0	BREAK ALL SHARP EDGES AND DEBURK DRAWINGS PER ASME Y14.5M-1994	DESIGNED DRAWN CHECKED APPROVED	A. MARINELLA A. MARINELLA C. ROYER C. ROYER	1/13/2022 1/14/2022 1/14/2022 1/14/2022
THIS DOCUMENT AND INFORMATION CONTAINED IN IT ARE CONFIDENTIAL AND CANNOT BE COPIED OR DISCLOSED IN WHOLE OR IN PART WITHOUT EXPRESSED WRITTEN CONSENT OF YASKAWA SOLECTRIA SOLAR	3RD ANGLE PROJECTION	MATERIAL FINISH MASS FIRST USED	N/A N/A 12.1 kg PVS-500	ITEM NUMBER: DRAWING NUMBER: SCALE:
		DO NOT UPDATE MANUALLY	DO NOT SCALE	

REACH
RoHS

YASKAWA SOLECTRIA SOLAR

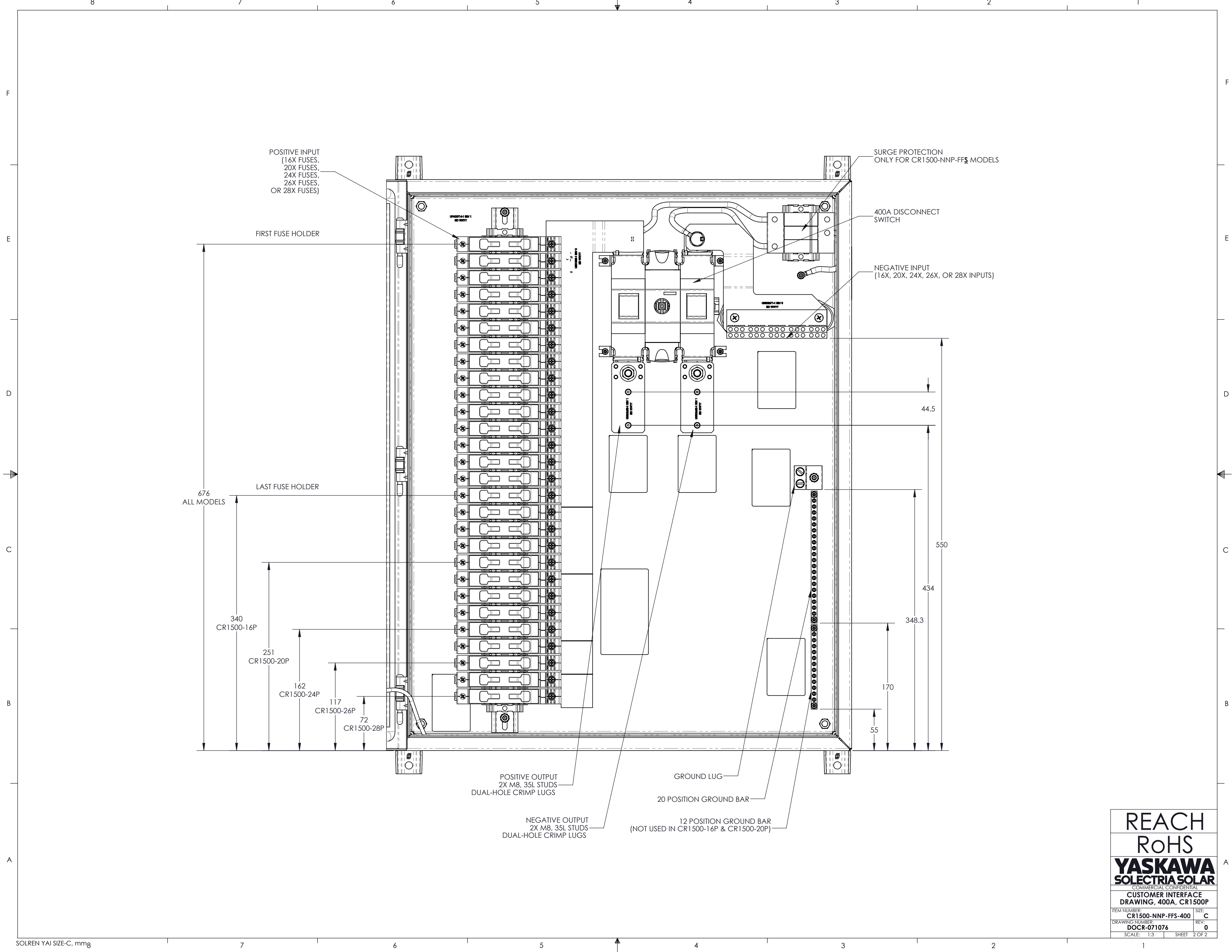
COMMERCIAL CONFIDENTIAL

CUSTOMER INTERFACE DRAWING, 400A, CR1500P

ITEM NUMBER: **CR1500-NNP-FFS-400** SIZE: **C**

DRAWING NUMBER: **DOCR-071076** REV: **0**

SCALE: 1:4 SHEET 1 OF 2



REACH
RoHS
YASKAWA
SOLECTRIA SOLAR
COMMERCIAL CONFIDENTIAL
CUSTOMER INTERFACE
DRAWING, 400A, CR1500P

ITEM NUMBER: CR1500-NNP-FFS-400	SIZE: C
DRAWING NUMBER: DOCR-071076	REV: 0
SCALE: 1:3	SHEET 2 OF 2