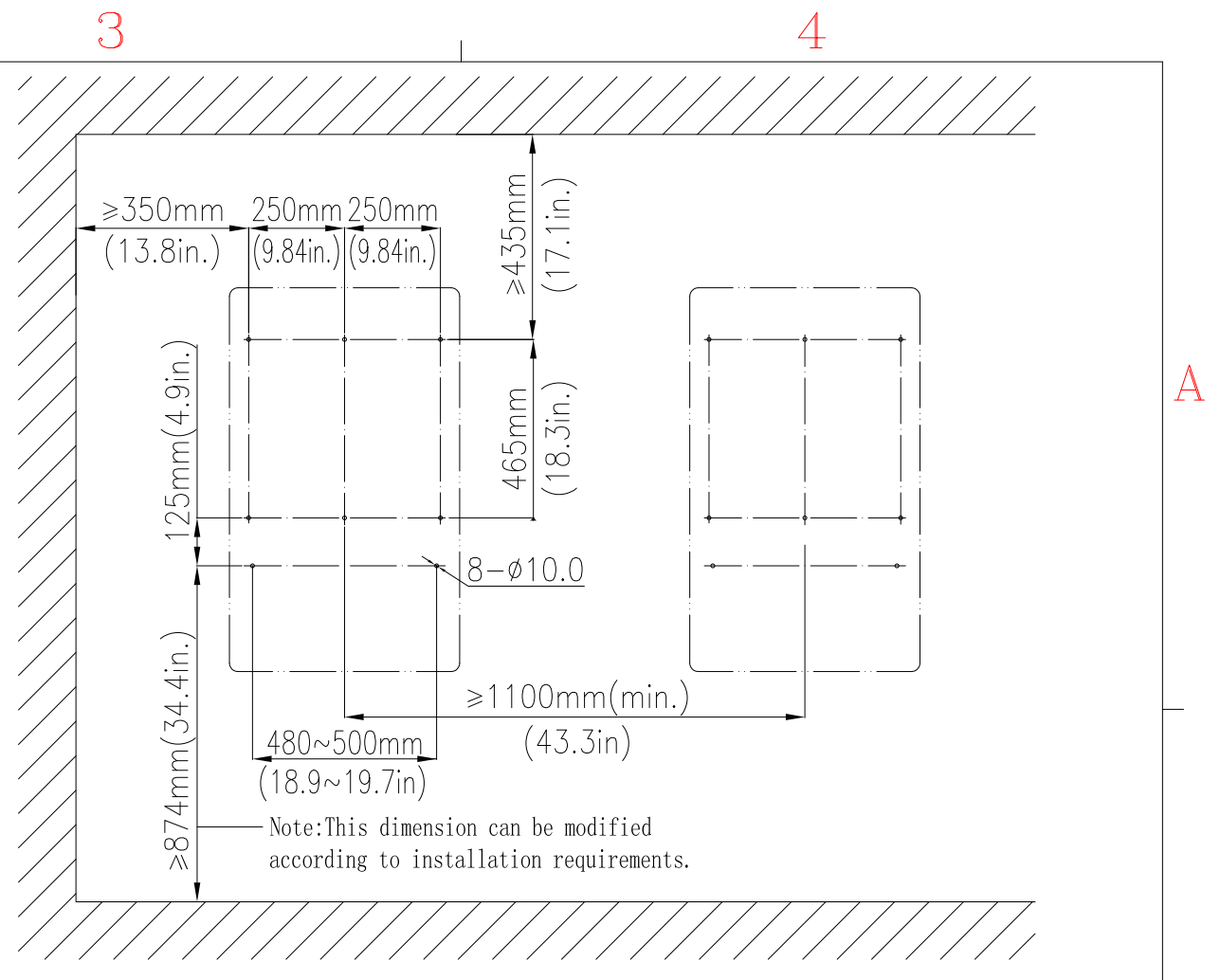
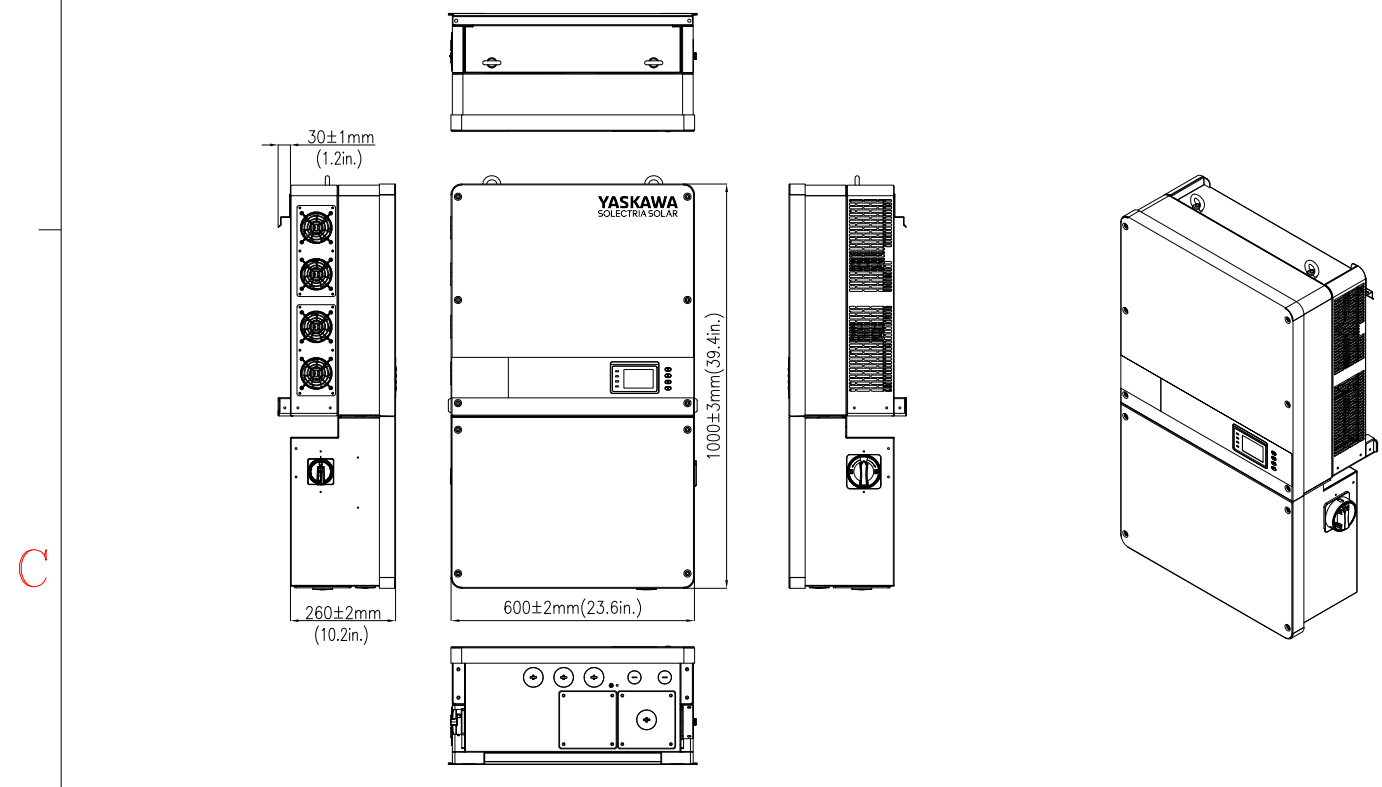


(Installation space requirements)

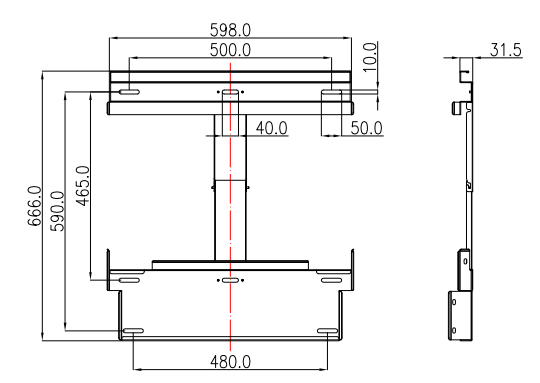


(The position of mounting holes on wall or fix bracket)

Engineering Draft



(The dimensions of product)



(The dimensions of mounting bracket)

Used on  
PVI 50TL  
PVI 60TL

Customer Interface Drawings  
PVI 50TL  
PVI 60TL

